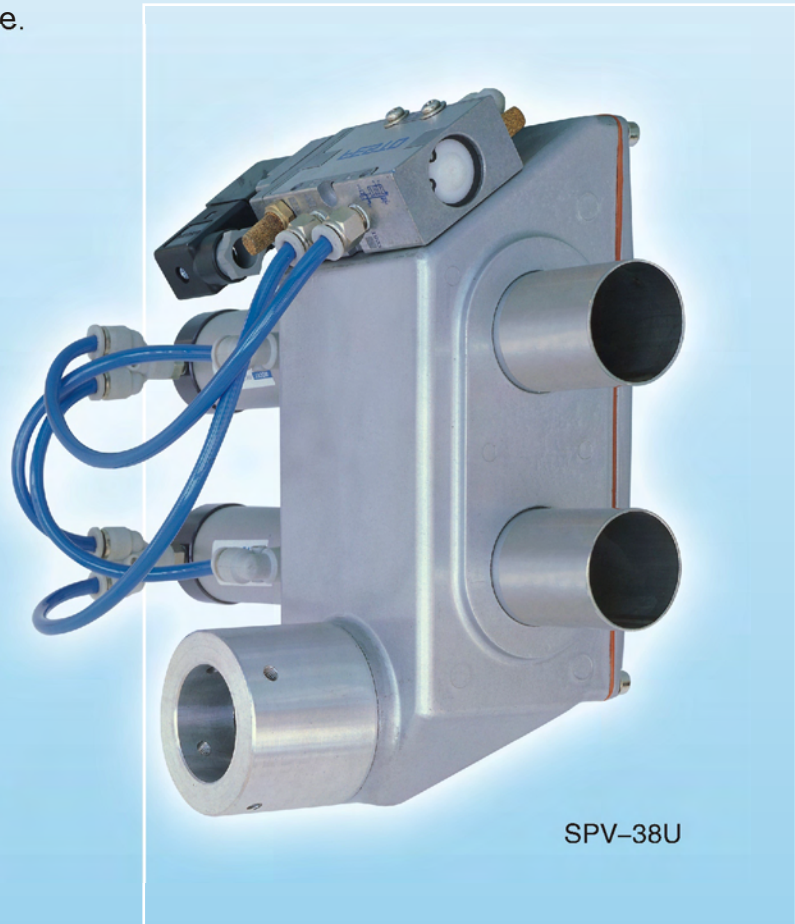


### Proportional Valves

SHINI newly developed proportional valves mix regrind and new materials in a proper proportion, and then send them back to the process machine to achieve a proportional mixing and loading effect. It features directly mounted on loaders or mounted by the pipeline. Besides, it is applicable to Euro loaders and equipped with control box to perform when in other situations.

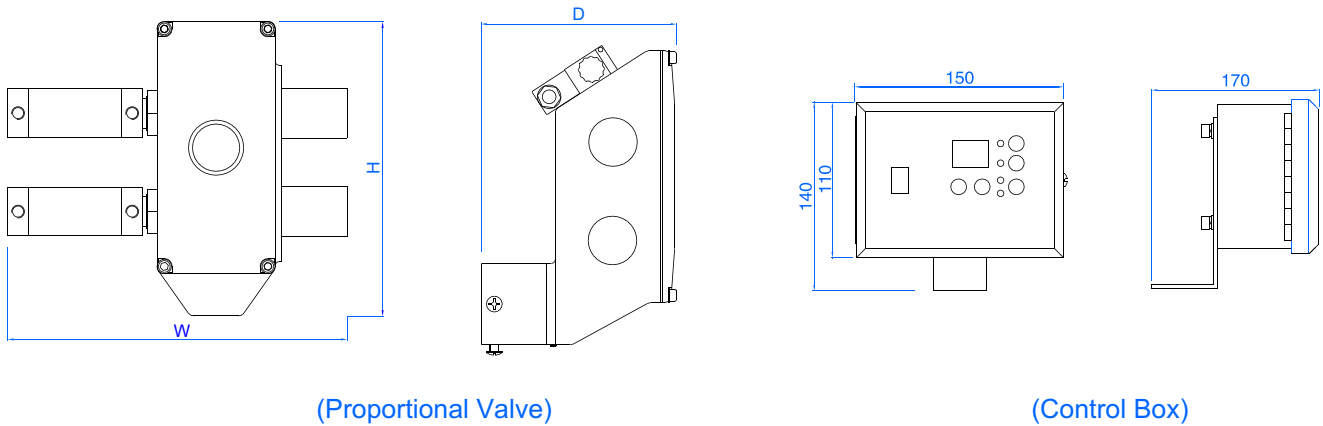
#### Features:

- "Euro" design, classy appearance, easy installation and operation.
- Unique design of valve body, made material conveying more smoothly.
- The performance of solenoid valve is so stable that the air cylinder acts accurately to ensure a proportional mixing of new and regrind materials.
- There is no need of ordering control box when working with SAL-U series hopper loaders.
- Instant recycling the regrind materials to reduce the production cost.
- Control box is available for option when performing in other situations.



Proportional Valve with Control Box

## Outline Drawing



(Proportional Valve)

(Control Box)

## Specifications

Model	Compressed Air Pressure	Driven Means	Maximum Material Flow	Pipe Size	Dimensions (mm) H x W x D	Weight (kg)
SPV-38U-(C)	3kg/cm <sup>2</sup>	Cylinders	350 kg/hr	38 mm	230 x 260 x 150	3.5
SPV-50U-(C)	3kg/cm <sup>2</sup>	Cylinders	550 kg/hr	50.8 mm	230 x 260 x 150	5

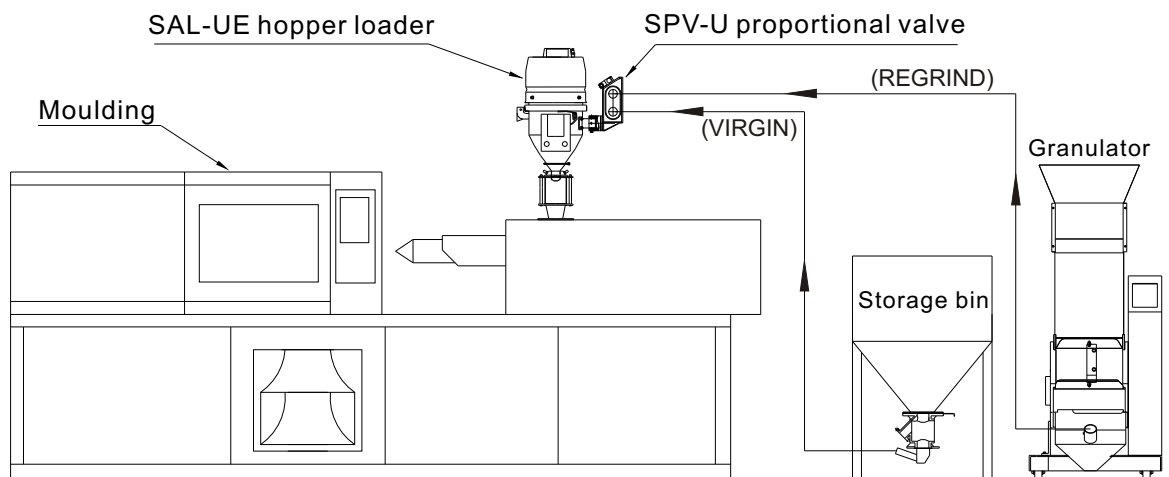
Note:1) There is no need of control box when working with SAL-U loaders.

2) "C" stands for control box.

3) Power supply: 1Φ, 115/230V, 50/60Hz.

We reserve the right to change specifications without prior notice.

## Installation



### Shini Plastics Technologies, Inc.

#### Corporate Strategic Center:

Jinshagang Industrial Zone, Dalang,

Dongguan, Guangdong, P.R.China.

Telephone: +86 (0)769 8111 6600

Facsimile: +86 (0)769 8111 6611

Email: shini@shini.com

www.shini.com

# STV Group

The plastics machinery specialist

*STV provides an outstanding range of plastics machinery from all over the world, plus a wealth of application expertise, to help you get the most out of your investment. We aim to provide quality, value-for-money and reliable support services throughout the life of your machines.*

*From our base in Milton Keynes, Buckinghamshire, we serve customers throughout the UK and Eire.*

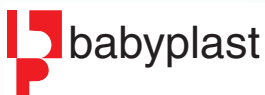
*The STV Group brings together all these leading brands:*



### **Beam robots, sprue pickers, robot tooling**

One of the world's leading manufacturers of industrial robots, Apex offers exceptional performance and value, endorsed by thousands of users worldwide.

**Telephone:** 01908 616544 **www.apexrobot.co.uk**



### **Micro-moulding and two shot machines**

Babyplast is a pioneer in micro-moulding with a range of stand-alone machines and add-on injection units allowing multi-component moulding with standard machines.

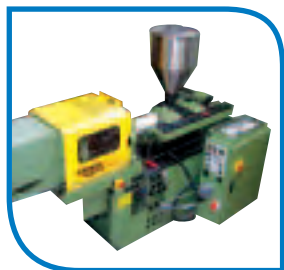
**Telephone:** 01908 616704 **www.babyplast.net**



### **Plastic processing ancillaries**

The Shini line-up includes a huge range of high quality dryers, loaders, granulators, proportioning valves and more — at prices you simply won't believe.

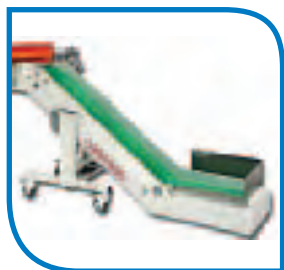
**Telephone:** 01908 616774 **www.shini.co.uk**



### **Pre-owned plastic machinery**

Our highly successful used plastics machinery website connects buyers and sellers directly, allowing both parties to strike the best deals.

**Telephone:** 01908 616534 **www.stvconnect.co.uk**



### **Conveyors, separators, box fillers, mixers**

Choose from a range comprising hundreds of standard models, or use our custom build services to build to your own specification.

**Telephone:** 01908 514068 **www.virgionionastri.co.uk**

