

# **SAL-UG122 Series**

**"One-to-Two" Separate Hopper Loader**

Date: Oct, 2013

Version: Ver.B (English)





## Contents

<b>1. General Description</b> .....	<b>10</b>
1.1 Coding Principle .....	11
1.2 Feature .....	11
1.3 Technical Specifications .....	13
1.3.1 Technical Specifications (Main Unit) .....	13
1.3.2 Hopper .....	15
1.3.3 SHR-U-S Hopper Base Installation Size .....	15
1.3.4 Specifications .....	16
1.3.5 Loading Capacity .....	17
1.4 Safety Regulations .....	18
1.4.1 Safety Signs and Labels .....	18
1.4.2 Signs and Labels .....	18
1.5 Exemption Clause .....	18
<b>2. Structure Characteristics and Working Principle</b> .....	<b>20</b>
2.1 Main Functions .....	20
2.1.1 Working Principle .....	20
2.2 Assembly Drawing .....	21
2.2.1 Assembly Drawing (SAL-1HP/2HP-UG122) .....	21
2.2.2 Parts List (SAL-1HP/2HP-UG122) .....	22
2.2.3 Assembly Drawing (SAL-3.5HP/5HP(-D)-122) .....	23
2.2.4 Parts List (SAL-3.5HP/5HP (-D)-UG122) .....	24
2.2.5 Assembly Drawing (SAL-7.5HP/10HP (-D)-UG122) .....	25
2.2.6 Parts List (SAL-7.5HP/10HP (-D)-UG122) .....	26
2.2.7 Parts Drawing (SHR-3U-S) .....	27
2.2.8 Parts List (SHR-3U-S) .....	28
2.2.9 Parts Drawing (SHR-6U-S) .....	29
2.2.10 Parts List (SHR-6U-S) .....	30
2.2.11 Parts Drawing (SHR-12U-S) .....	31
2.2.12 Parts List (SHR-12U-S) .....	32
2.2.13 Parts Drawing (SHR-24U-S) .....	34
2.2.14 Parts List (SHR-24U-S) .....	35

2.2.15	Parts Drawing (SHR-36U-S)	36
2.2.16	Parts List (SHR-36U-S)	37
2.2.17	Parts Drawing (SHR-3U-ES)	38
2.2.18	Parts List (SHR-3U-ES)	39
2.2.19	Parts Drawing (SHR-6U-ES)	40
2.2.20	Parts List (SHR-6U-ES)	41
2.2.21	Parts Drawing (SHR-12U-ES)	43
2.2.22	Parts List (SHR-12U-ES)	44
2.2.23	Parts Drawing (SHR-24U-ES)	45
2.2.24	Parts List (SHR-24U-ES)	46
2.3	Electrical Diagram (E)	48
2.3.1	Main Circuit (400V)	48
2.3.2	Control Circuit (400V)	49
2.3.3	Electrical Components Layout (400V)	50
2.3.4	Parts List (400V)	51
2.3.5	Main Circuit (230V)	57
2.3.6	Control Circuit (230V)	58
2.3.7	Electrical Components Layout (230V)	59
2.3.8	Parts List (230V)	60
2.4	Electrical Component Instruction	66
2.5	Optional Accessories	67
2.5.1	Air Accumulator	67
2.5.1.1	Function of air Accumulator	67
2.5.1.2	Specification of air Accumulator	67
<b>3.</b>	<b>Installation and Debugging</b>	<b>68</b>
3.1	Installation Space	68
3.2	Power Connection	68
<b>4.</b>	<b>Application and Operation</b>	<b>69</b>
4.1	Control Panel	69
4.2	OPERATION	69
4.3	NOTES	69
<b>5.</b>	<b>Trouble-shooting</b>	<b>71</b>
<b>6.</b>	<b>Maintenance and Repair</b>	<b>72</b>

6.1	Material Hopper .....	72
6.2	Main Body.....	72
6.3	Reed Switch, Photoelectric Switch .....	73
6.4	Weekly Checking.....	73
6.5	Monthly Checking.....	73
6.6	Maintenance Schedule .....	74
6.6.1	About the Machine .....	74
6.6.2	Installation & Inspection .....	74
6.6.3	Daily Checking .....	74
6.6.4	Weekly Checking .....	74
6.6.5	Monthly Checking .....	74

### Table Index

Table 1-1:	Specifications .....	16
Table 2-1:	Parts List (SAL-1HP/2HP-UG122).....	22
Table 2-2:	Parts List (SAL-3.5HP/5HP (-D)-UG122).....	24
Table 2-3:	Parts List (SAL-7.5HP/10HP (-D)-UG122).....	26
Table 2-4:	Parts List (SHR-3U-S) .....	28
Table 2-5:	Parts List (SHR-6U-S).....	30
Table 2-6:	Parts List (SHR-12U-S) .....	32
Table 2-7:	Parts List (SHR-24U-S) .....	35
Table 2-8:	Parts List (SHR-36U-S) .....	37
Table 2-9:	Parts List (SHR-3U-ES).....	39

Table 2-10: Parts List (SHR-6U-ES).....	41
Table 2-11: Parts List (SHR-12U-ES).....	44
Table 2-12: Parts List (SHR-24U-ES).....	46
Table 2-13: Parts List (SAL-1HP-UG122) (400V).....	51
Table 2-14: Parts List (SAL-2HP-UG122) (400V).....	52
Table 2-15: Parts List (SAL-3.5HP-UG122) (400V).....	53
Table 2-16: Parts List (SAL-5HP-UG122) (400V).....	54
Table 2-17: Parts List (SAL-7.5HP-UG122) (400V).....	55
Table 2-18: Parts List (SAL-10HP-UG122)(400V).....	56
Table 2-19: Parts List (SAL-1HP-UG122) (230V).....	60
Table 2-20: Parts List (SAL-2HP-UG122) (230V).....	61
Table 2-21: Parts List (SAL-3.5HP-UG122) (230V).....	62
Table 2-22: Parts List (SAL-5HP-UG122) (230V).....	63
Table 2-23: Parts List (SAL-7.5HP-UG122) (230V).....	64
Table 2-24: Parts List (SAL-10HP-UG122) (230V).....	65

### **Picture Index**

Picture 1-1: SAL-1HP/2HP-UG122.....	13
-------------------------------------	----

Picture 1-2: SAL-3.5HP/5HP-UG122.....	13
Picture 1-3: SAL-7.5HP/10HP-UG122.....	14
Picture 1-4: Hopper SHR-U-S Technical Specifications .....	15
Picture 1-5: Hopper Base Installation Size .....	15
Picture 1-6: Loading Capacity.....	17
Picture 2-1: Working Principle .....	20
Picture 2-2: Assembly Drawing (SAL-1HP/2HP-UG122).....	21
Picture 2-3: Assembly Drawing (SAL-3.5HP/5HP(-D)-UG122).....	23
Picture 2-4: Assembly Drawing (SAL-7.5HP/10HP (-D)-UG122).....	25
Picture 2-5: Parts (SHR-3U-S).....	27
Picture 2-6: Parts (SHR-6U-S).....	29
Picture 2-7: Parts (SHR-12U-S).....	31
Picture 2-8: Parts (SHR-24U-S).....	34
Picture 2-9: Parts (SHR-36U-S).....	36
Picture 2-10: Parts (SHR-3U-ES) .....	38
Picture 2-11: Parts (SHR-6U-ES) .....	40
Picture 2-12: Parts (SHR-12U-ES) .....	43

Picture 2-13: Parts (SHR-24U-ES) .....	45
Picture 2-14: Main Circuit (400V).....	48
Picture 2-15: Control Circuit (400V).....	49
Picture 2-16: Electrical Components Layout (400V).....	50
Picture 2-17: Main Circuit (230V).....	57
Picture 2-18: Control Circuit (230V).....	58
Picture 2-19: Electrical Components Layout (230V).....	59
Picture 2-20: Overload Relay.....	66
Picture 2-21: Air Accumulator .....	67
Picture 3-1: Installation Space .....	68
Picture 4-1: Control Panel .....	69





## 1. General Description



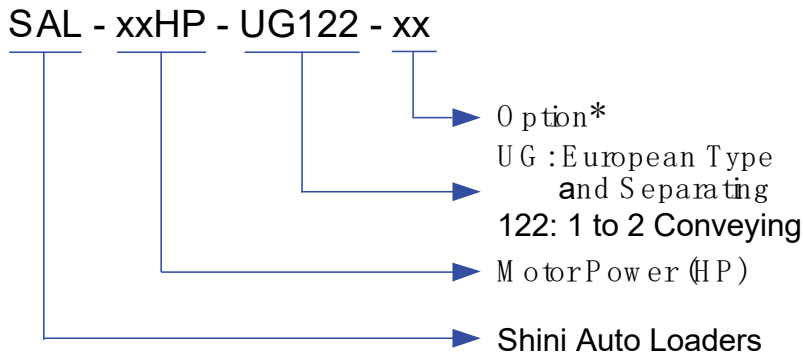
Read this manual carefully before operation to prevent damage of the machine or personal injuries.

"One-to-Two" Separate hopper loader are designed and developed on the basis of original European separate-vacuum hopper Loader. They feature more functions, easy to operate, and convenient to install. This model, equipped with a high pressure blower and two SHR-U-S type European central vacuum hoppers, is applicable to two dehumidifying and drying machines (dehumidifying dryer "SDD") or one gravimetric blender "SGB" to process plastic materials. Besides that , it can also realize the "One-to-Two" way of conveying materials to different moulding machines or hoppers to greatly lower the cost.



Model: SAL-7.5HP-UG122 Main Unit + SHR-24U-S Hopper

## 1.1 Coding Principle



Note: \* D=Double-stage Blower CE=CE Conformity

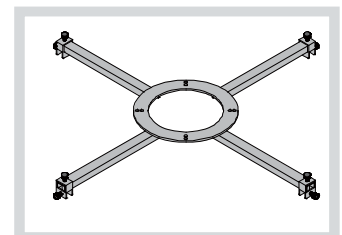
## 1.2 Feature

### 1) Standard configuration

- "One-to-Two" hopper loader can greatly lower the cost.
- The dust collective chamber features a cyclone separator and a dust collective bin to effectively reduce the load of the filter.
- eparate hopper receivers are designed in European style.
- Separate dust collector is convenient for dust cleaning.
- Main unit equips with faults and motor overload indicators to show faults fast.
- The main body of SAL-2HP~5HP equips with vacuum-breaking valve and SAL-7.5HP~10HP main body equips with vaccum valve to protect the blower.
- Standardly equipped with warning lamp as the alarm device.
- CE safety plug ensures safe and reliable operation.
- SCH-6U/12U/24U storage hoppers with Standard and Insulated type are available as options, which can be installed on reed switch storage hopper and also on IMM directly.

### 2) Accessory option

- In the case of much impurity or recycled materials included in raw materials, main unit can be equipped with air accumulator auto washing unit as options, and add "A" at the model behind. (Suitable for SAL-3.5HP-UG and models above, except for SAL-UGP series.)



HMB-900

- Optionally provide multi-functional installation frame HMB-900 with 900 mm largest dia. adjusting range for selection.
- Buzzer available as an option.

All service work should be carried out by a person with technical training or corresponding professional experience. The manual contains instructions for both handling and servicing. Chapter 6, which contains service instructions intended for service engineers. Other chapters contain instructions for the daily operator.

Any modifications of the machine must be approved by SHINI in order to avoid personal injury and damage to machine. We shall not be liable for any damage caused by unauthorized change of the machine.

Our company provides excellent after-sales service. Should you have any problem during using the machine, please contact the company or the local vendor.

Headquarter and Taipei factory :

Tel: (886) 2 2680 9119

Shini Plastics Technologies (Dongguan), Inc:

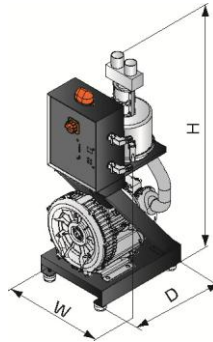
Tel: (86) 769 8111 6600

Shini Plastics Technologies India Pvt.Ltd. :

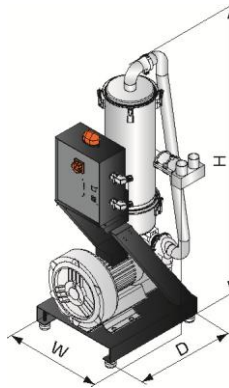
Tel: (91) 250 3021 166

## 1.3 Technical Specifications

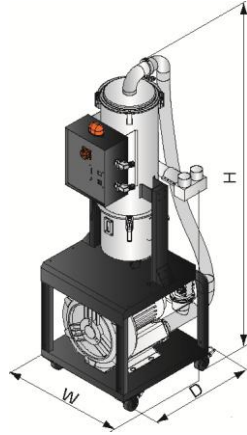
### 1.3.1 Technical Specifications (Main Unit)



Picture 1-1: SAL-1HP/2HP-UG122

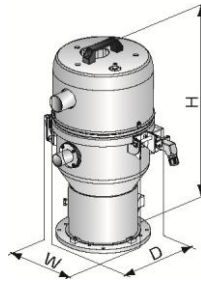


Picture 1-2: SAL-3.5HP/5HP-UG122



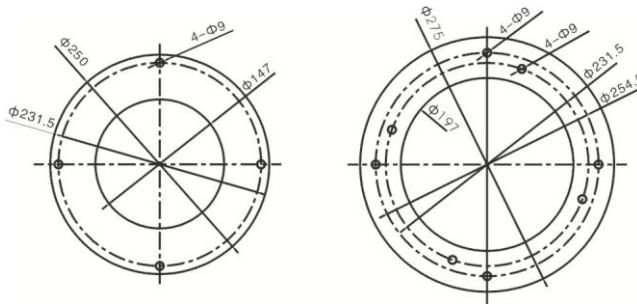
Picture 1-3: SAL-7.5HP/10HP-UG122

### 1.3.2 Hopper



Picture 1-4: Hopper SHR-U-S Technical Specifications

### 1.3.3 SHR-U-S Hopper Base Installation Size



Picture 1-5: Hopper Base Installation Size

### 1.3.4 Specifications

Table 1-1: Specifications

Main Unit				Hopper Receivers				Loading Pipe Dia. (Inch))	Air Suction Pipe Dia.(Inch)	Loading Capacity (kg / hr)
Model	Motor Power (kW) (50 / 60Hz)	Dimensions (mm) H×W×D	Weight (kg)	Applicable Model	Capacity (L)	Dimensions(mm) H×W×D	Weight (kg)			
SAL-1HP-UG122	0.75 / 0.85 (3Φ)	1020×400×500	52	2×SHR-3U-S	3	585×260×385	4.5	1.5	2	400
SAL-2HP-UG122	1.5 / 1.8 (3Φ)	1020×400×500	56	2×SHR-3U-S	6	555×305×430	7.5	1.5	2	550
SAL-3.5HP-UG122	2.4 / 2.6 (3Φ)	1380×505×615	130	2×SHR-6U-S	12	616×335×475	9	1.5	2	850
SAL-5HP-UG122	3.75 / 4.2 (3Φ)	1380×505×615	175	2×SHR-12U-S	12	616×335×475	9	1.5	2	1200
SAL-5HP-UG122-D	3.75 / 4.2 (3Φ)	1380×700×615	180	2×SHR-12U-S	12	616×335×475	9	1.5	2	1350
SAL-7.5HP-UG122	5.5 / 6.3 (3Φ)	1830×680×615	181	2×SHR-24U-S	24	826×335×475	11	2	2.5	1450
SAL-7.5HP-UG122-D	5.5 / 6.3 (3Φ)	1830×875×740	183	2×SHR-24U-S	24	826×335×475	11	2	2.5	1600
SAL-10HP-UG122	7.5 / 8.6 (3Φ)	1830×660×740	185	2×SHR-36U-S	36	1036×335×475	12	2	2.5	1800
SAL-10HP-UG122-D	7.5 / 8.6 (3Φ)	1830×875×740	192	2×SHR-36U-S	36	1036×335×475	12	2	2.5	2000

Note: 1) "D" stands for double-stage blower, "122" stands for "one to two" conveying function.

2) For hopper inside polished ones, add "P" at hopper model behind.

3) It is available to select ACF-2 cyclone dust separator (Applicable to SAL-1HP-UG-122 and SAL-2HP-UG-122 main unit).

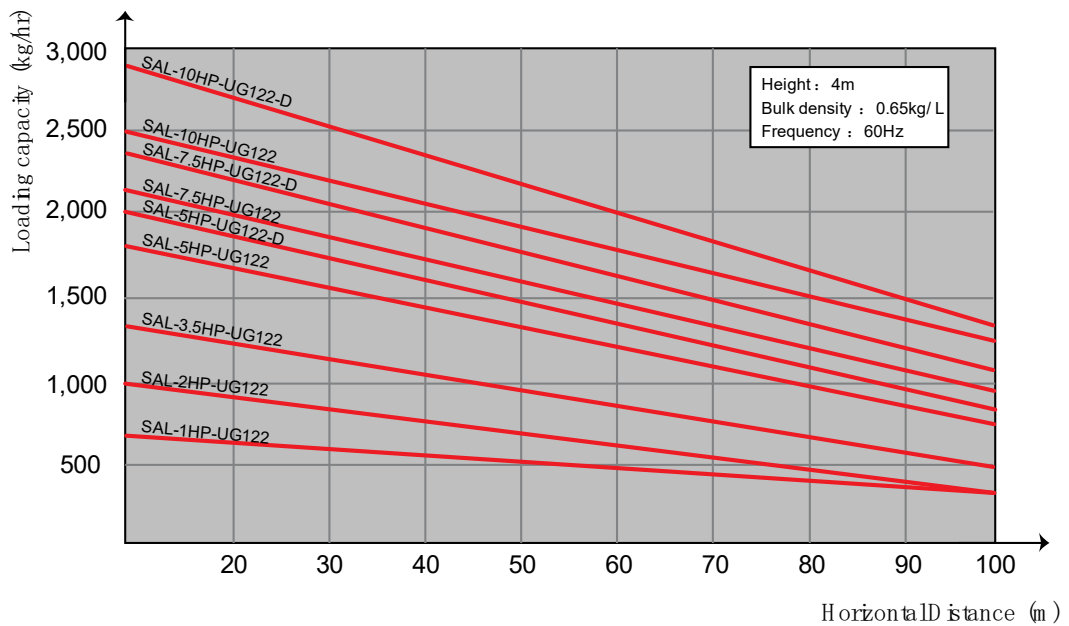
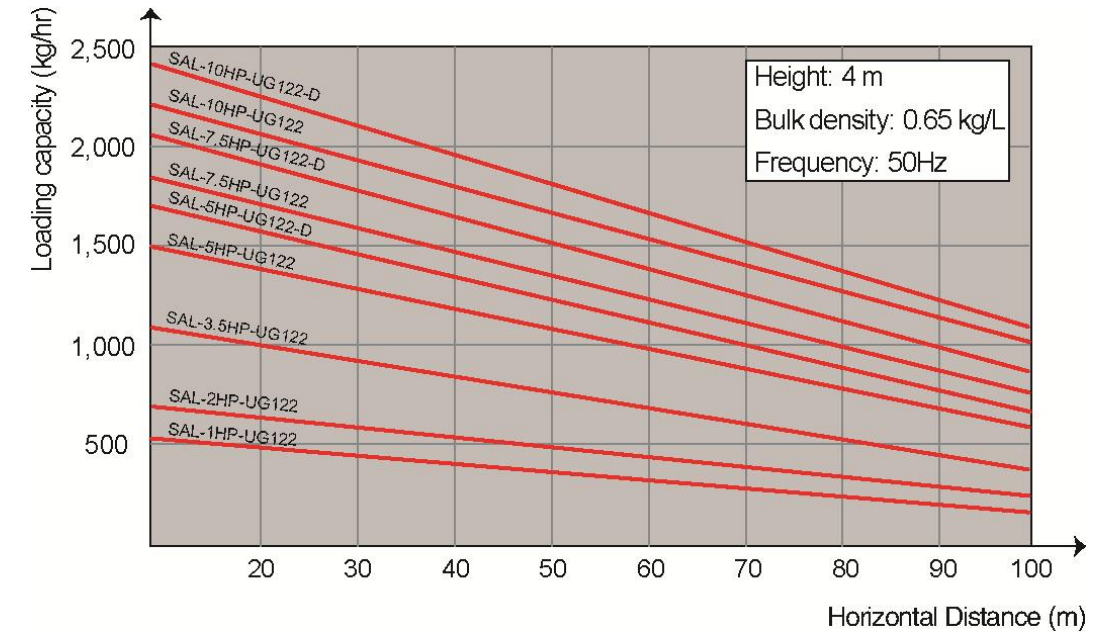
4) Optional air accumulator and filter cleaning device, and add "A" at model behind (Suitable for SAL-3.5HP-UG122 and models above ).

5) Test condition of conveying capacity: Plastic material of bulk density 0.65kg/L, dia. 3~5 mm, vertical conveying height: 4m, horizontal conveying distance: 5m.

6) Power supply: 3Φ, 230/400/460/575V, 50/60Hz.



### 1.3.5 Loading Capacity



Picture 1-6: Loading Capacity

## 1.4 Safety Regulations

Strictly abide by the following safety regulations to prevent damage of the machine or personal injuries.

### 1.4.1 Safety Signs and Labels



All the electrical components should be installed by professional technicians.

Turn off the main switch and control switch during maintenance or repair.



Warning! High voltage!

This sign is attached on the cover of control box!



Warning! Be careful!


Be more careful at the place where this sign appears!



Attention!

No need for regular inspection because all the electrical parts in the control unit are fixed tightly!

### 1.4.2 Signs and Labels

	<ol style="list-style-type: none"><li>1. Please clean the suction filter regularly to avoid clogging and ensure proper loading capacity and long life span.</li><li>2. The one year warranty does not cover the suction filter, please clean the filter carefully.</li></ol>
---	--

## 1.5 Exemption Clause

The following statements clarify the responsibilities and regulations born by any buyer or user who purchases products and accessories from Shini (including employees and agents).

Shini is exempted from liability for any costs, fees, claims and losses caused by reasons below:

1. Any careless or man-made installations, operation and maintenances upon machines without referring to the Manual prior to machine using.

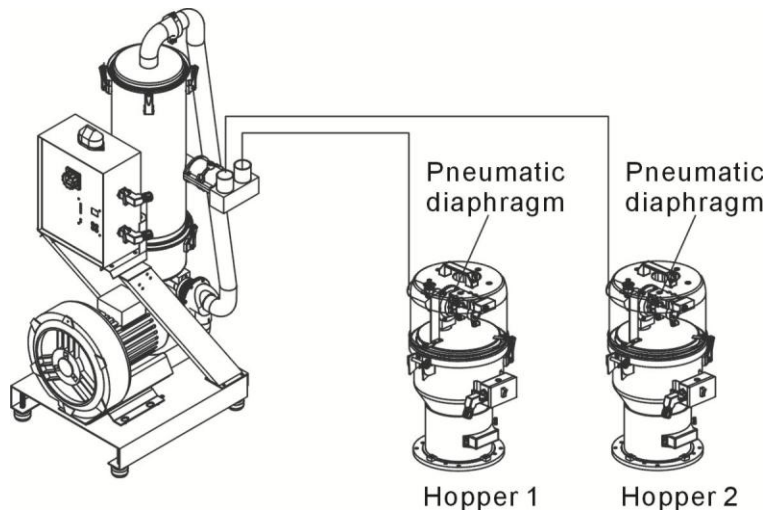
2. Any incidents beyond human reasonable controls, which include man-made vicious or deliberate damages or abnormal power, and machine faults caused by irresistible natural disasters including fire, flood, storm and earthquake.
3. Any operational actions that are not authorized by Shini upon machine, including adding or replacing accessories, dismantling, delivering or repairing.
4. Employing consumables or oil media that are not appointed by Shini.

## 2. Structure Characteristics and Working Principle

### 2.1 Main Functions

SAL-UG "Euro" separate-vacuum hopper loader are applicable to convey plastic granule. Its principle is to make use of motor generated vacuum to form a pressure gap and to convey plastic material by this way.

#### 2.1.1 Working Principle

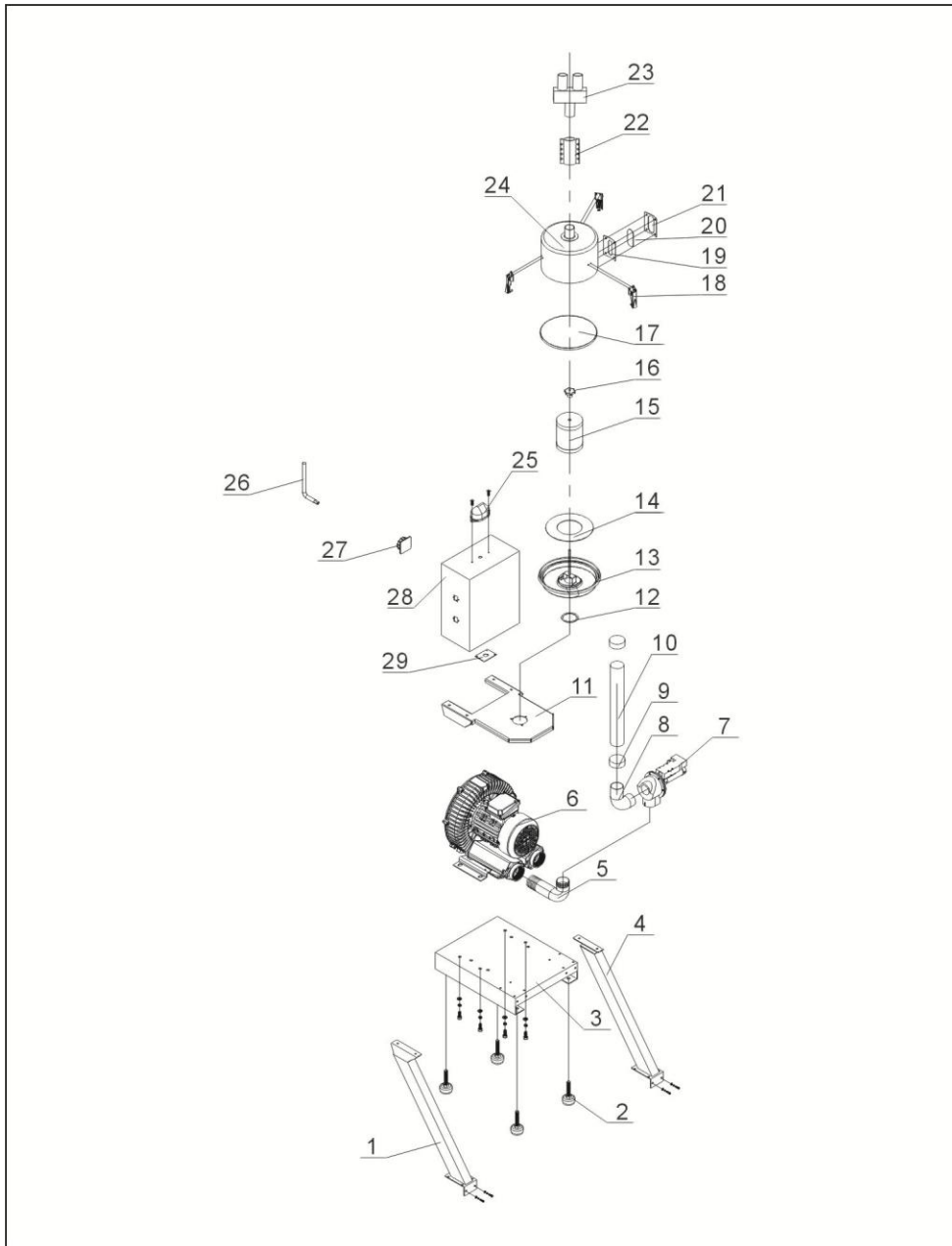


Picture 2-1: Working Principle

Turn on the switch of the feed station to start the wind blower and open the relevant diaphragm valve of the hopper. A high pressure vacuum is generated in the hopper and the non-return flap is thus closed. The crew material is thereafter suctioned into the hopper due to differential pressure. After finishing the suctioning action, stop the motor and the vacuum breaking valve is opened. The crew material is dropped by gravity. When the magnetic proximity switch detect that there is no material, the motor starts up again. When in continuously 3 times failed to load material, the red alarming light for relevant feeding station on electrical control box starts to sound the alarm. When all the suction switches are turned on, the system will work from feeding station1 to 2 circularly.

## 2.2 Assembly Drawing

### 2.2.1 Assembly Drawing (SAL-1HP/2HP-UG122)



Remarks: Please refer to material list 2.2.2 for specific explanation of the Arabic numbers in parts drawing.

Picture 2-2: Assembly Drawing (SAL-1HP/2HP-UG122)

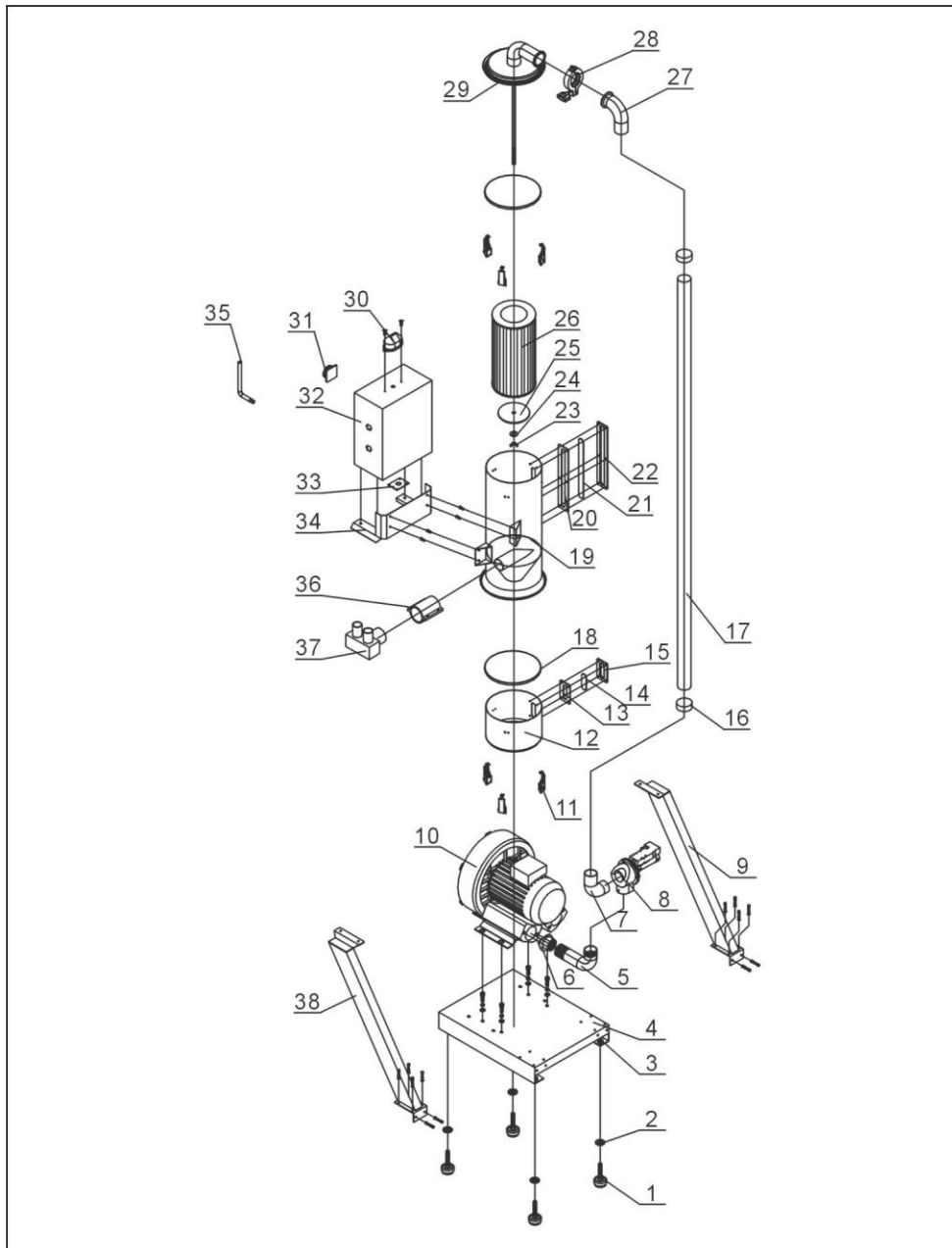
## 2.2.2 Parts List (SAL-1HP/2HP-UG122)

Table 2-1: Parts List (SAL-1HP/2HP-UG122)

No.	Name	Part No.	No.	Name	Part No.
1	Left standing pole	-	15	Filter	YR50708000000
2	Anti-vibration pad	YW03005000000	16	Hexagon nut 5/16"	YW69051600000
3	Base	-	17	Filter fastener	YR10708000100
4	Right stand column	-	18	Snap hook	YW02003000400
5	Air inlet pipe	-	19	Four hole material window fastener	YW09000000400
6	High-pressure blower 1HP	BM30031000150	20	Four acryl	YR40001200100
	High-pressure blower 2HP	BM30042000050	21	Four hole material windw sheet iron	YR40000400000
7	Vacuum breaking diaphragm valve 1.5"	BY20015000050	22	Pipe connector 2"	BW20002002050
8	Vacuum-breaking diaphragm valve piping	-	23	T-branch pipe	-
9	Tube bundle 2.5"	YW02002500000	24	Filter barrel	-
10	Steel wired plastic pipe 2"	YR60205040100	25	Alarm light	YE83305100200
11	Supporting structure of filter barrel	-	26	Dedicated wrench for anti-theft screw	JT40450000000
12	Filter barrel base fastener	-	27	Main power switch	YE10210300000
13	Filter barrel lid assembly	-	28	Control cabinet	BH32012040050
14	Filter barrel lid fastener	YR10030000000	29	Line jig fixed plate	-

\* means possible broken parts. \*\* means easy broken part. and spare backup is suggested. Please confirm the version of manual before placing the purchase order to make sure that the item number of the spare part is in accordance with the real object.

### 2.2.3 Assembly Drawing (SAL-3.5HP/5HP(-D)-122)



Remarks: Please refer to material list 2.2.4 for specific explanation of the Arabic numbers in parts drawing.

Picture 2-3: Assembly Drawing (SAL-3.5HP/5HP(-D)-UG122)

## 2.2.4 Parts List (SAL-3.5HP/5HP (-D)-UG122)

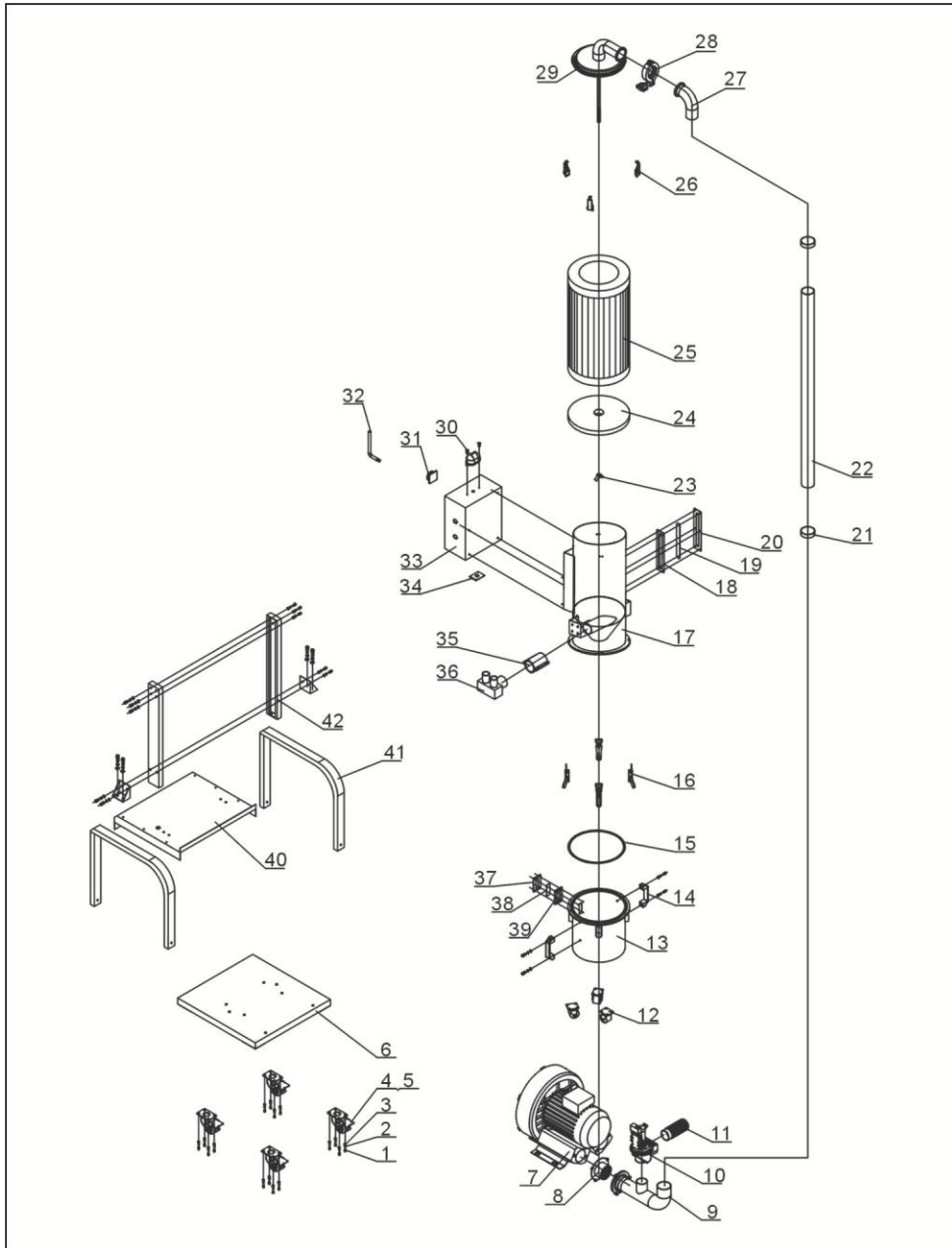
Table 2-2: Parts List (SAL-3.5HP/5HP (-D)-UG122)

No.	Name	Part No.	No.	Name	Part No.
1	Anti-vibration pad $\Phi$ 50	YW03005000000	19	Filter barrel roll	-
2	Flat washer 8	YW66082200100	20	Six hole material window fastener	YR40000600000
3	Nut M12	YW64012100000	21	Six acryl	YR40001200000
4	Base	BL21003500120	22	Six hole material window sheet iron	YW09000600000
5	Air inlet pipe	BL26003506520-	23	Butterfly nut 5/16"	YW69051600000
6	Blower flange	-	24	Flat washer 8	YW66082200100
7	Vacuum-breaking diaphragm valve 1.5"	BY20015000050	25	Strainer fixed plate	BL26003502520
8	Vacuum-breaking diaphragm valve piping	-	26	Filter ADC2	YR50181100000
9	Right stand column	-	27	Air suction pipe	-
10	High pressure blower 3.5HP	BM30053500050	28	Pipe clamp	YW07000200000
	High pressure blower 5HP	BM30055000050	29	Filter barrel lid assembly	-
	High pressure blower 5HP (double stage)	YM30433700000	30	Alarm light LTE-3051 AC220V	YE83305100200
11	Snap hook	YW02003000400	31	Main power switch	YE10210300000
12	Dust collecting barrel	BL26003507021	32	Control cabinet	-
13	Four hole material window fastener	YR40000400000	33	Line jig fixed plate	-
14	Four hole acryl	YR40001200100	34	Supporting structure of filter barrel	-
15	Four hole material window sheet iron	YW09000000400	35	Dedicated wrench for anti-theft screw	JT40450000000
16	Pipe bundle 2.5"	YW02002500000	36	Pipe connector2"	YW20002000700
17	Steel wire rubber pipe 2"	YR60205040100	37	T-branch pipe	-
18	Dust collecting barrel fastener	YR10708000100	38	Left stand column	-

\* means possible broken parts. \*\* means easy broken part. and spare backup is suggested. Please confirm the version of manual before placing the purchase order to make sure that the item number of the spare part is in accordance with the real object.



### 2.2.5 Assembly Drawing (SAL-7.5HP/10HP (-D)-UG122)



Remarks: Please refer to material list 2.2.6 for specific explanation of the Arabic numbers in parts drawing.

Picture 2-4: Assembly Drawing (SAL-7.5HP/10HP (-D)-UG122)

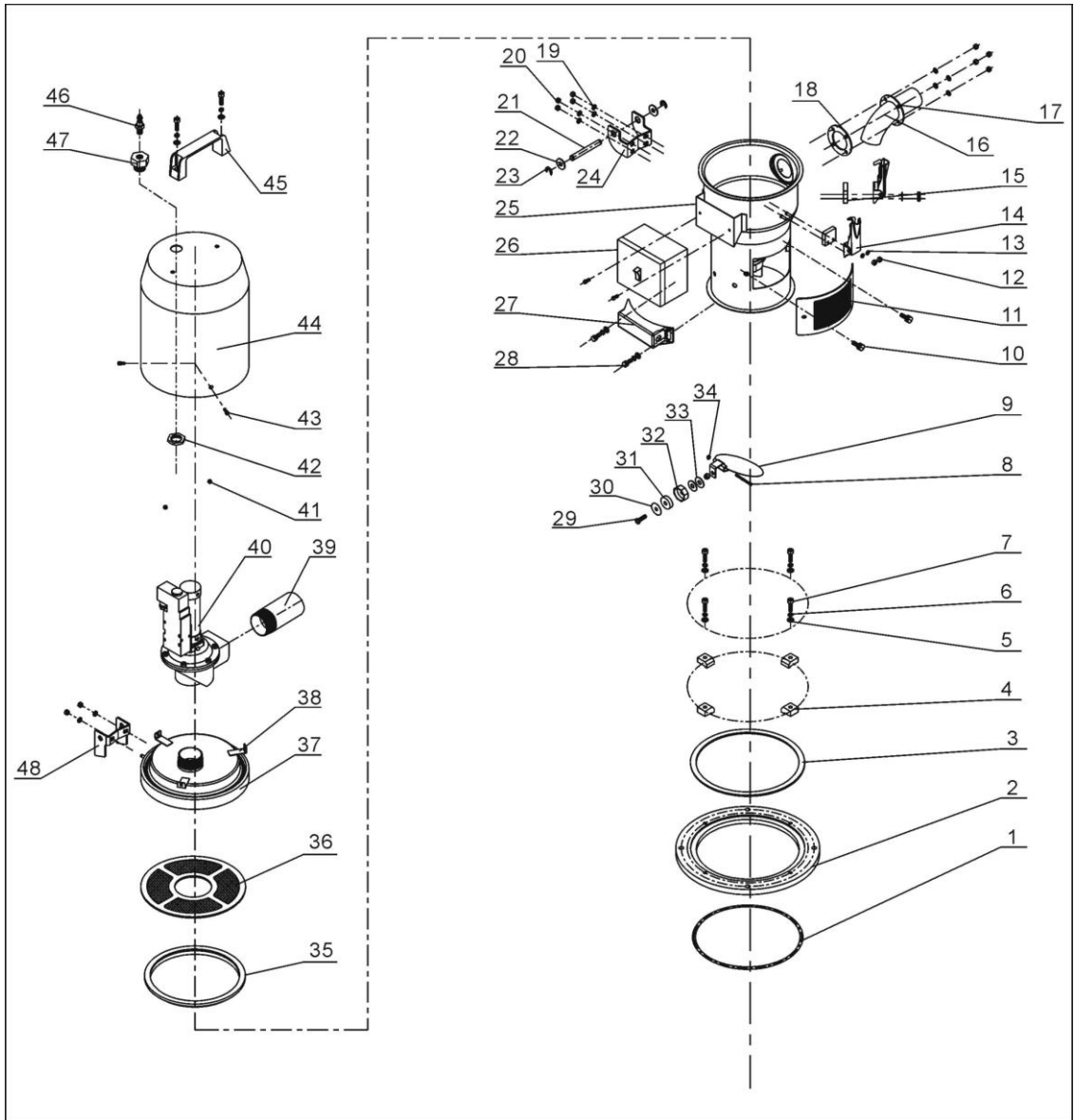
## 2.2.6 Parts List (SAL-7.5HP/10HP (-D)-UG122)

Table 2-3: Parts List (SAL-7.5HP/10HP (-D)-UG122)

No.	Name	Part No.	No.	Name	Part No.
1	Outer hexagon bolt M6×16	YW60061600100	21	Stainless steel pipe bundle 3"	YW02000300000
2	Flat washer 6	YW66061300000	22	Steel wire rubber pipe 2.5"	YR60253000000
3	Spring washer 6	YW65006000100	23	Butterfly nut 5/16"	YW69051600000
4	Brake universal caster 3"	YW03000300000	24	Strainer fixed plate	BL26007504720
5	Freestyle universal caster 3"	YW03000300200	25	Filter	YR50221400000
6	Base	BL26007502721	26	Snap hook	YW02003000400
7	High pressure blower 7.5HP	BM30075000050	27	Air suction pipe	-
	High pressure blower 7.5HP(two stage)	YM30635500000	28	Pipe clamp	YW07002500600
	High pressure blower 10HP	BM30081000050	29	Filter barrel lid assembly	-
	High pressure blower 10HP(two stage)	YM30637500000	30	Alarm light	YE83305100200
8	Blower flange	-	31	Main power switch	YE10210300000
9	Air inlet pipe	-	32	Dedicated wrench for anti-theft screw	JT40450000000
10	Vacuum separating valve 2"	BY20500000050	33	Control cabinet	-
11	Air refill screen	-	34	Line jig fixed plate	-
12	Universal caster 2.5"	YW03002500000	35	Pipe connector 2.5"	BH80002510050
13	Dust collecting barrel	BL26007502421	36	T-branch pipe	-
14	Aluminum handle L120	BW20012000040	37	Four hole material window fastener	YW09000000400
15	Dust collecting barrel fastener	YE32051800100	38	Four hole acryl	YR40000400000
16	Big handle	YW02003000100	39	Four hole material window sheet iron	YR40001200100
17	Filter barrel assembly	-	40	Intermediate plate	-
18	Six hole material window fastener	YR40000600000	41	Frame 1	-
19	Six acryl	YR40001200000	42	Stand column for filter barrel	-
20	Six hole material window sheet iron	YW09000600000			

\* means possible broken parts. \*\* means easy broken part. and spare backup is suggested. Please confirm the version of manual before placing the purchase order to make sure that the item number of the spare part is in accordance with the real object.

## 2.2.7 Parts Drawing (SHR-3U-S)



Notes: Please refer to material list 2.2.8 for specific explanation of the Arabic numbers in parts drawing.

Picture 2-5: Parts (SHR-3U-S)

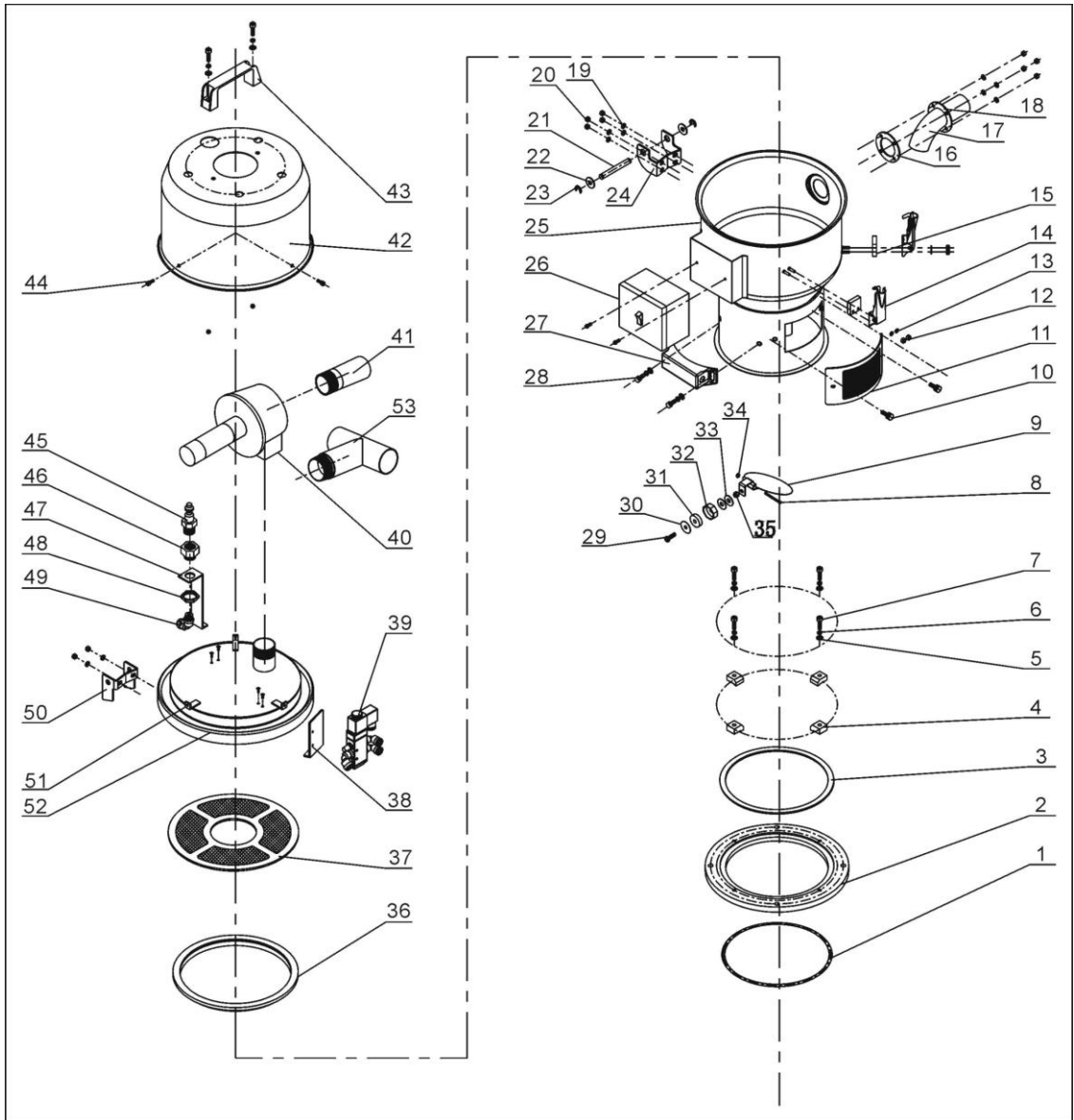
## 2.2.8 Parts List (SHR-3U-S)

Table 2-4: Parts List (SHR-3U-S)

No.	Name	Part No.	No.	Name	Part No.
1	Inner diameter of O type seal ring $\Phi 200 \times 5.5$	YR20205500000	25	Material storage tank	-
2	Base	BW20171200010	26	Control box	BH90615000010
3	Base fastener	-	27	Sensor shell	YR40000601100
4	Pressure block	BW20000630500	28	Inner hexagon cylinder head screw M6 $\times$ 10	YW63061000000
5	Flat gasket 6	YW66061300000	29	Cross recess pan head screw M3 $\times$ 25	YW63032500000
6	Spring gasket 6	YW65006000000	30	Flat gasket 8 $\times$ 22	YW66082200100
7	Inner hexagon cylinder head screw M6 $\times$ 20	YW61062000300	31	Permanent magnet $\Phi 21 \times \Phi 3 \times 7$	YW90213700000
8	Cross recess pan head screw M3 $\times$ 40	YW63034000000	32	Magnet sleeve	BH12115000010
9	Discharge port	-	33	Flat gasket 3 $\times$ 12	YW66031200000
10	Star knob	YR40061500000	34	Locknut M3	YW64000300000
11	Ventilation window	YR40000601000	35	Hopper fastener	YR10001500000
12	Locknut M4 $\times$ 0.7	YW64040700100	36	Filter screen	BL20000300120
13	Flat gasket 4	YW66040800000	37	Hopper cover	-
14	Snap hook	YW02003000400	38	Motor cover fixing base	BL21001501320
15	Snap hook pad	YR40000600800	39	Air suction pipe	-
16	Material inlet pipe	-	40	Vacuum separating valve SPDV-38	-
17	Material inlet pipe fixing plate	-	41	Locknut M6	YW64000600200
18	Material inlet pipe fastener	YR10150300000	42	Connecting nut	BH12003600410
19	Flat gasket 5	YW66051000100	43	Cross recess pan head screw M5 $\times$ 15	YW62051500000
20	Locknut M5	YW64000500000	44	Diaphragm valve cover	-
21	Hinge pin	BH10006003110	45	Aluminum square handle L120	BW20012000040
22	Flat gasket 8 $\times$ 22	YW66082200100	46	Quick connector SPC8-1/4	YW80081400000
23	E rings 6	YW66000500000	47	Connection copper head	BH12002400010
24	Down hinge	BL32000600140	48	Up hinge	BL32000600240

\* means possible broken parts. \*\* means easy broken part. and spare backup is suggested. Please confirm the version of manual before placing the purchase order to make sure that the item number of the spare part is in accordance with the real object.

## 2.2.9 Parts Drawing (SHR-6U-S)



Notes: Please refer to material list 2.2.10 for specific explanation of the Arabic numbers in parts drawing.

Picture 2-6: Parts (SHR-6U-S)

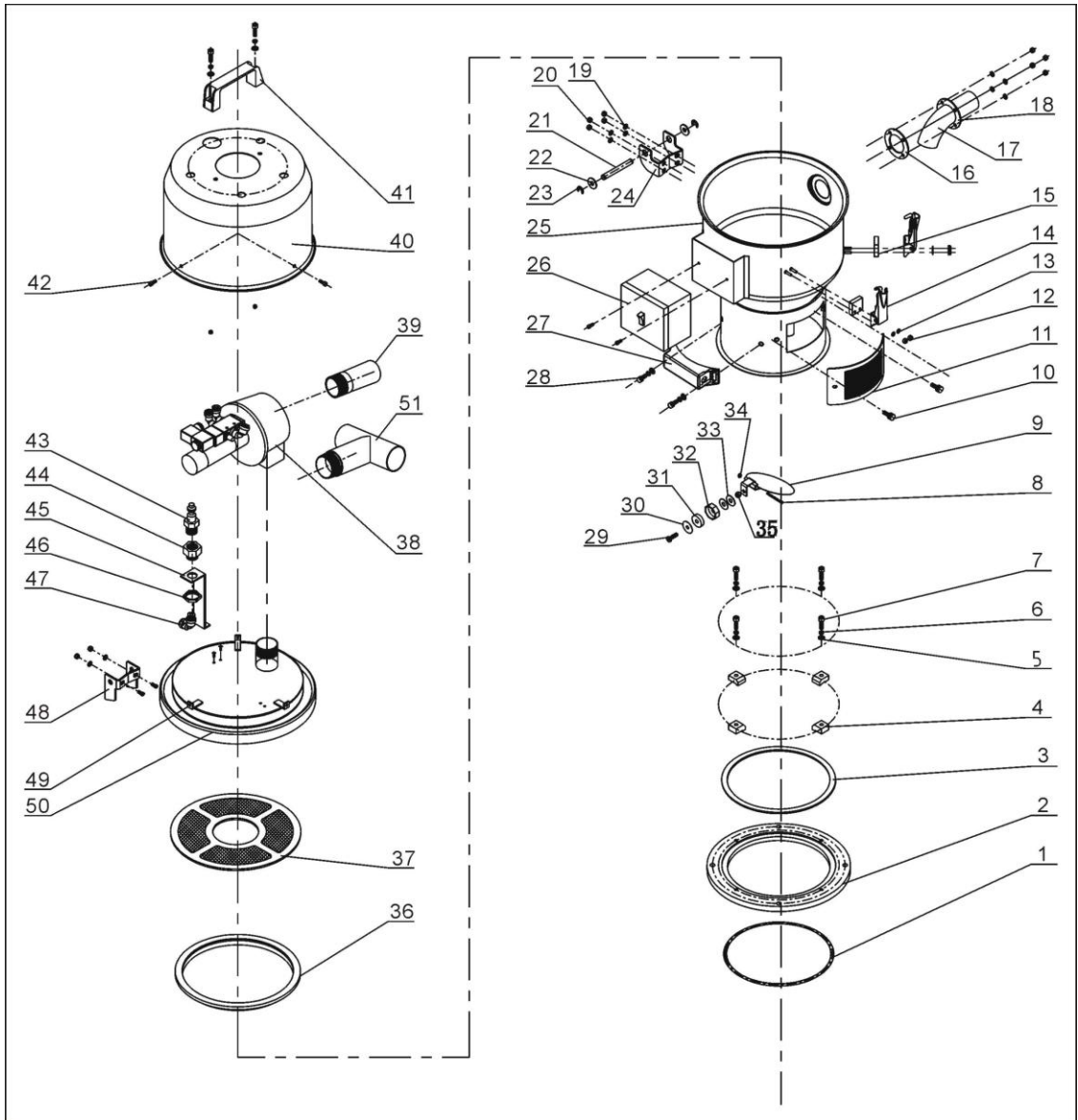
## 2.2.10 Parts List (SHR-6U-S)

Table 2-5: Parts List (SHR-6U-S)

No.	Name	Part No.	No.	Name	Part No.
1	Inner diameter of O type seal $\Phi 200 \times 5.5$	YR20205500000	28	Inner hexagon cylinder head screw M6 $\times$ 10	YW63061000000
2	Base	BW20171200010	29	Cross recess pan head screw M6 $\times$ 20	YW63062000000
3	Base fastener	-	30	Magnet cover	BL21000600120
4	Pressure block	BW20000630500	31	Permanent magnet $\Phi 21 \times \Phi 3 \times 7$	YW90257700000
5	Flat gasket 6	YW66061300000	32	Magnet sleeve	BH12000600010
6	Spring gasket 6	YW65006000000	33	Flat gasket 8 $\times$ 22	YW66082200100
7	Inner hexagon cylinder head screw M6 $\times$ 20	YW61062000200	34	Locknut M3	YW64000300000
8	Cross recess pan head screw M3 $\times$ 40	YW63034000000	35	Locknut M6	YW64000600200
9	Discharge plate	BL21000302320	36	Hopper fastener	YR10000300100
10	Star knob	YR40061500000	37	Filter screen	BL21000600620
11	Ventilation window	YR40000601000	38	Solenoid valve fixing plate	BL27000601120
12	Locknut M4 $\times$ 0.7	YW64040700100	39	Solenoid valve	YE32051800100
13	Flat gasket 4	YW66040800000	40	Diaphragm valve 1.5"	-
14	Snap hook	YW40000600800	41	Air suction pipe	-
15	Snap hook pad	YR40000600300	42	Motor cover	BR40033000110
16	Material inlet pipe fastener	YR10150300000	43	Aluminum square handle L120	BW20012000040
17	Material inlet pipe	-	44	Cross recess pan head screw M5 $\times$ 15	YW62051500000
18	Material inlet pipe fixing plate	-	45	Quick connector 3" $\times$ 1/4PT	YW80031400000
19	Flat gasket 5	YW66051000100	46	Connection copper head	BH12002400010
20	Locknut M5	YW64000500000	47	Air pipe connector fixing block	BL27000601520
21	Hinge pin	BH10006003110	48	Connecting nut	BH12003600410
22	Flat gasket 8 $\times$ 22	YW66082200100	49	Quick connector APL8-1/4PT	YW80081400100
23	E rings 8	YW69896800000	50	Up hinge	BL32000600240
24	Down hinge	BL32000600140	51	Motor cover fixing base	BL21001501320
25	Material storage tank	-	52	Hopper cover	-
26	Control box	BH90615000010	53	T-branch air suction pipe (optional)	-
27	Sensor shell	YR40000601100			

\* means possible broken parts. \*\* means easy broken part. and spare backup is suggested. Please confirm the version of manual before placing the purchase order to make sure that the item number of the spare part is in accordance with the real object.

## 2.2.11 Parts Drawing (SHR-12U-S)



Notes: Please refer to material list 2.2.12 for specific explanation of the Arabic numbers in parts drawing.

Picture 2-7: Parts (SHR-12U-S)



## 2.2.12 Parts List (SHR-12U-S)

Table 2-6: Parts List (SHR-12U-S)

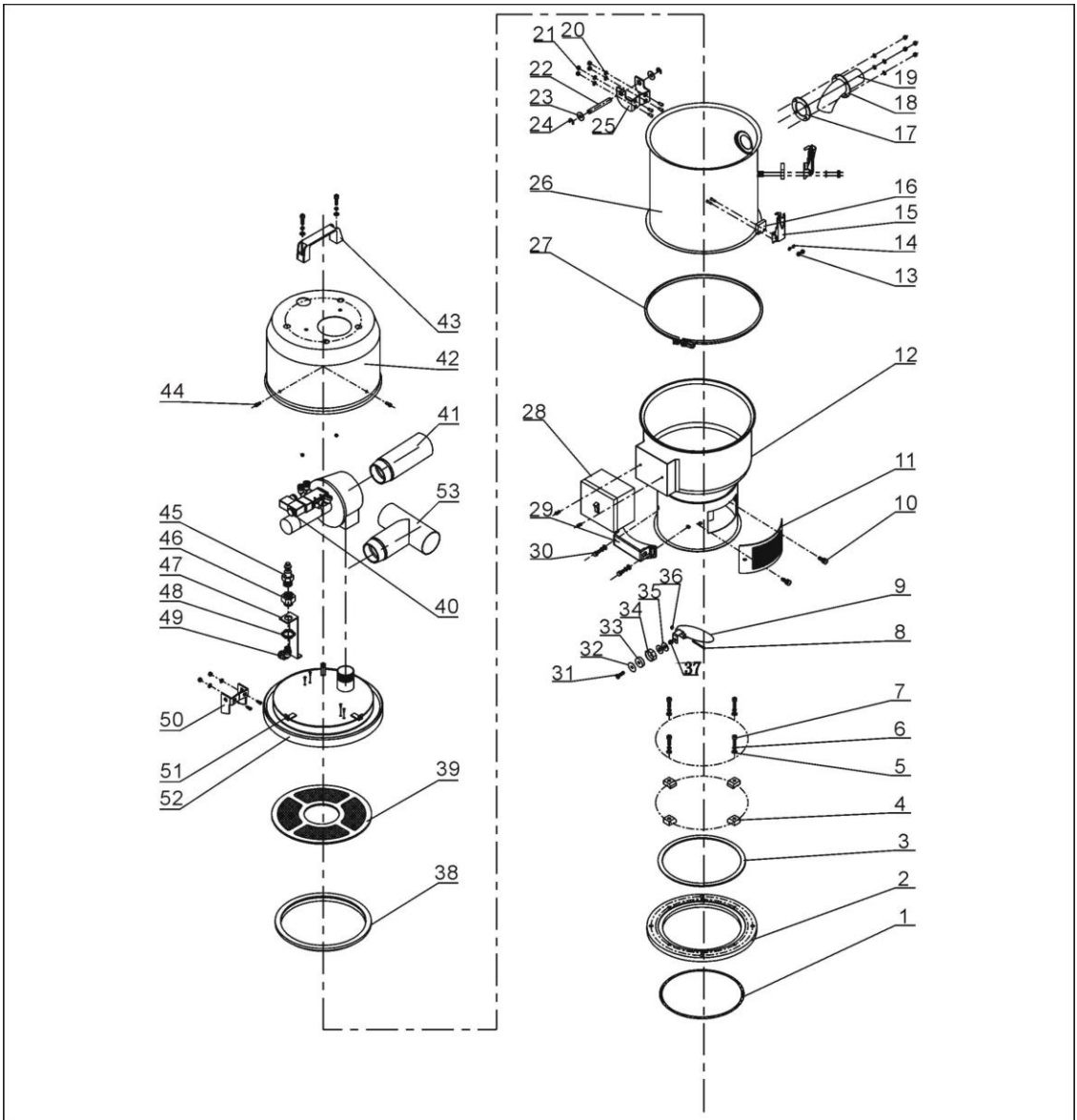
No.	Name	Part No.	No.	Name	Part No.
1	Inner diameter of O type seal ring $\Phi 200 \times 5.5$	YR20205500000	27	Sensor shell	YR40000601100
2	Base	BW20171200010	28	Inner hexagon cylinder head screw M6×10	YW63061000000
3	Base fastener	-	29	Cross recess pan head screw M6×20	YW63062000000
4	Pressure block	BW20000630500	30	Magnet cover	BL21000600120
5	Flat gasket 6	YW66061300000	31	Permanent magnet $\Phi 21 \times \Phi 3 \times 7$	YW90257700000
6	Spring gasket 6	YW65006000000	32	Magnet sleeve	BH12000600010
7	Inner hexagon cylinder head screw M6×20	YW61062000200	33	Flat gasket 8×22	YW66082200100
8	Cross recess pan head screw M3×40	YW63034000000	34	Locknut M3	YW64000300000
9	Discharge port	-	35	Locknut M6	YW64000600200
10	Star knob	YR40061500000	36	Hopper fastener	YR10000600200
11	Ventilation window	YR40000601000	37	Filter screen	BL21001200320
12	Locknut M4×0.7	YW64040700100	38	Diaphragm valve 1.5"	-
13	Flat gasket 4	YW66040800000	39	Air suction pipe	-
14	Snap hook	YW02003000400	40	Motor cover	BR40036000310
15	Snap hook pad	YR40000600800	41	Aluminum square handle L120	BW20012000040
16	Material inlet pipe fastener	YR10061200000	42	Cross recess pan head screw M5×15	YW62051500000
17	Material inlet pipe	-	43	Quick connector 3"×1/4PT	YW80031400000
18	Material inlet pipe fixing plate	-	44	Connection copper head	BH12002400010
19	Flat gasket 5	YW66051000100	45	Air pipe connector fixing block	-
20	Locknut M5	YW64000500000	46	Connecting nut	BH12003600410
21	Hinge pin	BH10006003110	47	Quick connector APL8-1/4PT	YW80081400100
22	Flat gasket 8×22	YW66082200100	48	Up hinge	BL32000600240
23	E rings 8	YW69896800000	49	Motor cover fixing base	BL21001501320
24	Down hinge	BL32000600140	50	Hopper cover	-
25	Material storage tank	-	51	T-branch air suction pipe (optional)	-
26	Control box	BH90615000010			

\* means possible broken parts. \*\* means easy broken part. and spare backup is suggested. Please confirm the version of manual before placing the purchase order to make sure that the



item number of the spare part is in accordance with the real object.

### 2.2.13 Parts Drawing (SHR-24U-S)



Notes: Please refer to material list 2.2.14 for specific explanation of the Arabic numbers in parts drawing.

Picture 2-8: Parts (SHR-24U-S)

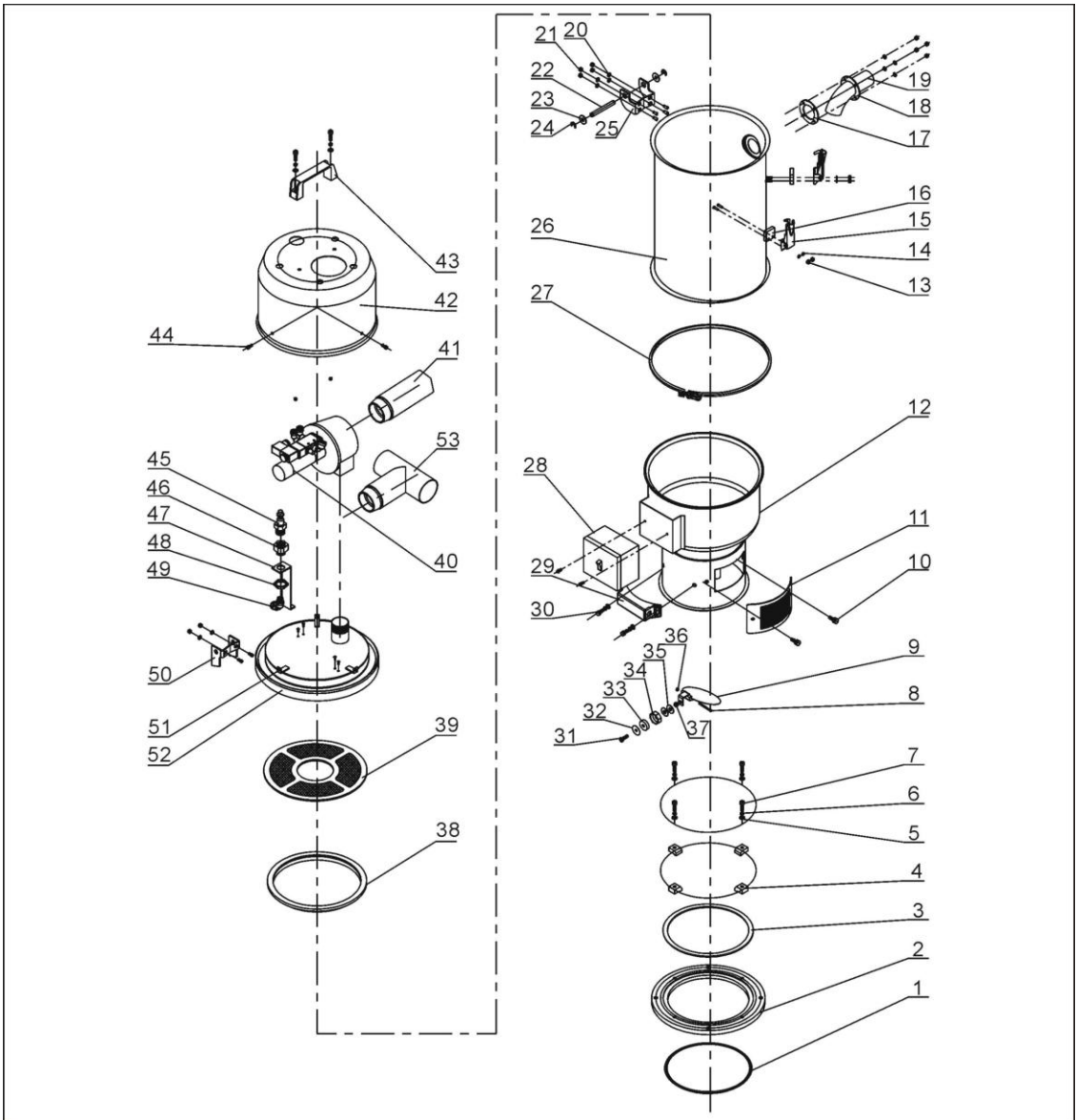
## 2.2.14 Parts List (SHR-24U-S)

Table 2-7: Parts List (SHR-24U-S)

No.	Name	Part No.	No.	Name	Part No.
1	Inner diameter of O type seal ring $\Phi 200 \times 5.5$	YR20205500000	28	Control box	BH90615000010
2	Base	BW20171200010	29	Sensor shell	YR40000601100
3	Base fastener	-	30	Inner hexagon cylinder head screw M6 $\times$ 10	YW63061000000
4	Pressure block	BW20000630500	31	Cross recess pan head screw M6 $\times$ 20	YW63062000000
5	Flat gasket 6	YW66061300000	32	Magnet cover	BL21000600120
6	Spring gasket 6	YW65006000000	33	Permanent magnet $\Phi 21 \times \Phi 3 \times 7$	YW90257700000
7	Inner hexagon cylinder head screw M6 $\times$ 20	YW61062000200	34	Magnet sleeve	BH12000600010
8	Cross recess pan head screw M3 $\times$ 40	YW63034000000	35	Flat gasket 8 $\times$ 22	YW66082200100
9	Discharge port	-	36	Locknut M3	YW64000300000
10	Star knob	YR40061500000	37	Locknut M6	YW64000600200
11	Ventilation window	YR40000601000	38	Hopper fastener	YR10000300100
12	Material storage tank	-	39	Filter screen	BL21001200320
13	Locknut M4 $\times$ 0.7	YW64040700100	40	Diaphragm valve 2"	-
14	Flat gasket 4	YW66040800000	41	Air suction pipe	-
15	Snap hook	YW02003000400	42	Motor cover	BR40036000310
16	Snap hook pad	YR40000600800	43	Aluminum square handle L120	BW20012000040
17	Material inlet pipe fastener	YR10150300000	44	Cross recess pan head screw M5 $\times$ 15	YW62051500000
18	Material inlet pipe fixing plate	-	45	Quick connector 3" $\times$ 1/4PT	YW80031400000
19	Material inlet pipe	-	46	Connection copper head	BH12002400010
20	Flat gasket 5	YW66051000100	47	Air pipe connector fixing block	-
21	Locknut M5	YW64000500000	48	Connecting nut	BH12003600410
22	Hinge pin	BH10006003110	49	Quick connector APL8-1/4PT	YW80081400100
23	Flat gasket 8 $\times$ 22	YW66082200100	50	Up hinge	BL32000600240
24	E rings 8	YW69896800000	51	Motor cover fixing base	BL21001501320
25	Down hinge	BL32000600140	52	Hopper cover	-
26	Enlarged material tank	-	53	T-branch air suction pipe (optional)	-
27	Pipe clamp	-			

\* means possible broken parts. \*\* means easy broken part. and spare backup is suggested. Please confirm the version of manual before placing the purchase order to make sure that the item number of the spare part is in accordance with the real object.

## 2.2.15 Parts Drawing (SHR-36U-S)



Notes: Please refer to material list 2.2.16 for specific explanation of the Arabic numbers in parts drawing.

Picture 2-9: Parts (SHR-36U-S)

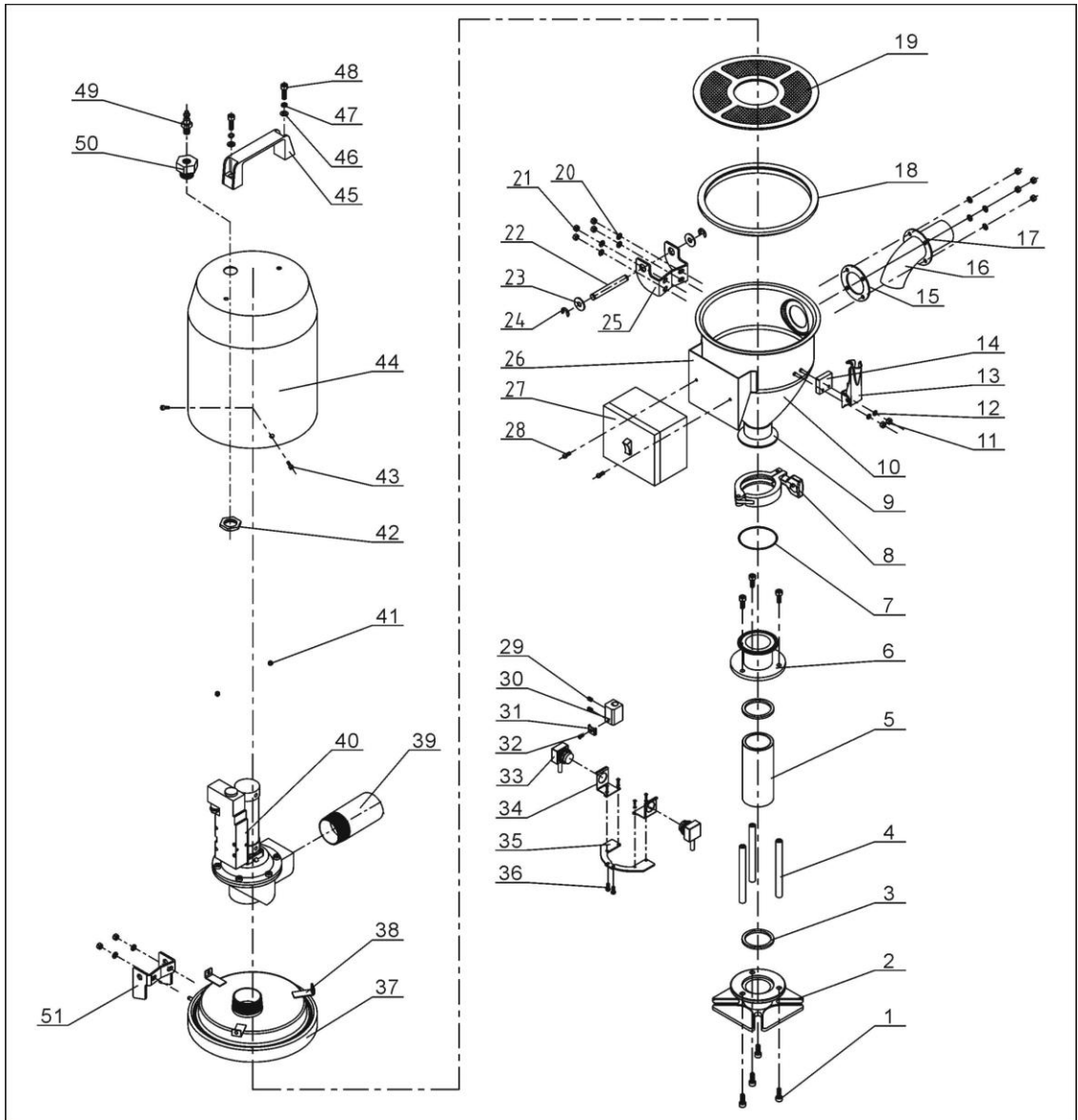
## 2.2.16 Parts List (SHR-36U-S)

Table 2-8: Parts List (SHR-36U-S)

No.	Name	Part No.	No.	Name	Part No.
1	Inner diameter of O type seal ring $\Phi 200 \times 5.5$	YR20205500000	28	Control box	BH90615000010
2	Base	BW20171200010	29	Sensor shell	YR40000601100
3	Base fastener	-	30	Inner hexagon cylinder head screw M6 $\times$ 10	YW63061000000
4	Pressure block	BW20000630500	31	Cross recess pan head screw M6 $\times$ 20	YW63062000000
5	Flat gasket 6	YW66061300000	32	Magnet cover	BL21000600120
6	Spring gasket 6	YW65006000000	33	Permanent magnet $\Phi 21 \times \Phi 3 \times 7$	YW90257700000
7	Inner hexagon cylinder head screw M6 $\times$ 20	YW61062000200	34	Magnet sleeve	BH12000600010
8	Cross recess pan head screw M3 $\times$ 40	YW63034000000	35	Flat gasket 8 $\times$ 22	YW66082200100
9	Discharge plate	-	36	Locknut M3	YW64000300000
10	Star knob	YR40061500000	37	Locknut M6	YW64000600200
11	Ventilation window	YR40000601000	38	Hopper fastener	YR10000300100
12	Material storage tank	-	39	Filter screen	BL21001200320
13	Locknut M4 $\times$ 0.7	YW64040700100	40	Diaphragm valve 2"	-
14	Flat gasket 4	YW66040800000	41	Air suction pipe	-
15	Snap hook	YW02003000400	42	Motor cover	BR40036000310
16	Snap hook pad	YR40000600800	43	Aluminum square handle L120	BW20012000040
17	Material inlet pipe fastener	YR10243600000	44	Cross recess pan head screw M5 $\times$ 15	YW62051500000
18	Material inlet pipe fixing plate	-	45	Quick connector 3" $\times$ 1/4PT	YW80031400000
19	Material inlet pipe	-	46	Connection copper head	BH12002400010
20	Flat gasket 5	YW66051000100	47	Air pipe connector fixing block	-
21	Locknut M5	YW64000500000	48	Connecting nut	BH12003600410
22	Hinge pin	BH10006003110	49	Quick connector APL8-1/4PT	YW80081400100
23	Flat gasket 8 $\times$ 22	YW66082200100	50	Up hinge	BL32000600240
24	E rings 8	YW69896800000	51	Motor cover fixing base	BL21001501320
25	Down hinge	BL32000600140	52	Hopper cover	-
26	Enlarged material tank	-	53	T-branch air suction pipe (optional)	-
27	Pipe clamp	-			

\* means possible broken parts. \*\* means easy broken part. and spare backup is suggested. Please confirm the version of manual before placing the purchase order to make sure that the item number of the spare part is in accordance with the real object.

## 2.2.17 Parts Drawing (SHR-3U-ES)



Notes: Please refer to material list 2.2.18 for specific explanation of the Arabic numbers in parts drawing.

Picture 2-10: Parts (SHR-3U-ES)

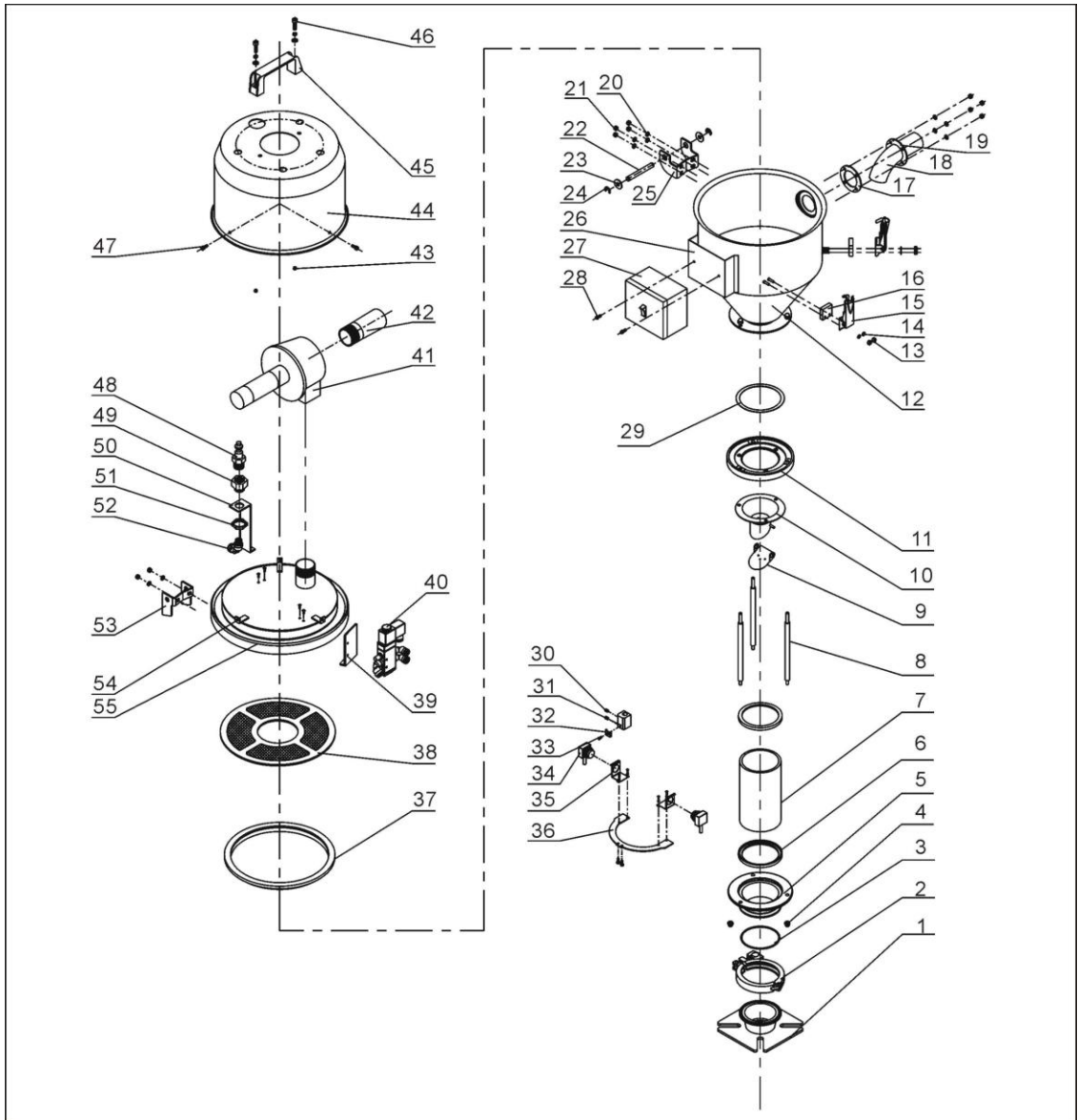
## 2.2.18 Parts List (SHR-3U-ES)

Table 2-9: Parts List (SHR-3U-ES)

No.	Name	Part No.	No.	Name	Part No.
1	Inner hexagon cylinder head screw M6×15	YW61061600300	27	Control box	BH90615000010
2	Down flange of glass pipe	BW32000300010	28	Cross recess pan head screw M4×10	YW63041000000
3	Glass pipe fastener	YR10000300000	29	Set screw M4×5	YW68004500000
4	Flange connection shaft	BH11030400540	30	Photosensor fixing base	BL90001000120
5	Glass pipe Φ50.5×Φ40.5×111	YW70504000000	31	Photosensor cable pressure block	YW31616200000
6	Up flange of glass pipe	BW32000300210	32	Cross recess pan head screw M4×10	YW63041000000
7	Base fastener	YR10000300200	33	Photosensor FOTEK T18-3MN-PE	YE15143900000
8	2"Stainless steel pipe clamp	YW07000200000	34	Photosensor mounting plate	-
9	Hopper flange	-	35	Photosensor fixing plate	-
10	Material storage tank	-	36	Cross recess pan head screw M4×10	YW63041000000
11	Locknut M4×0.7	YW64040700100	37	Hopper cover	-
12	Flat gasket 4	YW66040800000	38	Motor cover fixing base	BL21001501320
13	Snap hook	YW02003000400	39	Air suction pipe	-
14	Snap hook pad	YR40000600800	40	Vacuum separating valve SPDV-38	-
15	Material inlet pipe fastener	YR10150300000	41	Locknut M6	YW64000600200
16	Material inlet pipe	-	42	Connecting nut	BH12003600410
17	Material inlet pipe fixing plate	-	43	Cross recess pan head screw M5×15	YW62051500000
18	Hopper fastener	YR10001500000	44	Diaphragm valve cover	-
19	Filter screen	BL20000300120	45	Aluminum square handle L120	BW20012000040
20	Flat gasket 5	YW66051000100	46	Flat gasket 6	YW66061300000
21	Locknut M5	YW64000500000	47	Spring gasket 6	YW65006000000
22	Hinge pin	BH10006003110	48	Inner hexagon cylinder head screw M6×20	YW61062000300
23	Flat gasket 8×22	YW66082200100	49	Quick connector SPC8-1/4	YW80081400000
24	E rings 6	YW66000500000	50	Connection copper head	BH12002400010
25	Down hinge	BL32000600140	51	Up hinge	BL32000600240
26	Control box base	-			

\* means possible broken parts. \*\* means easy broken part. and spare backup is suggested. Please confirm the version of manual before placing the purchase order to make sure that the item number of the spare part is in accordance with the real object.

## 2.2.19 Parts Drawing (SHR-6U-ES)



Notes: Please refer to material list 2.2.20 for specific explanation of the Arabic numbers in parts drawing.

Picture 2-11: Parts (SHR-6U-ES)



## 2.2.20 Parts List (SHR-6U-ES)

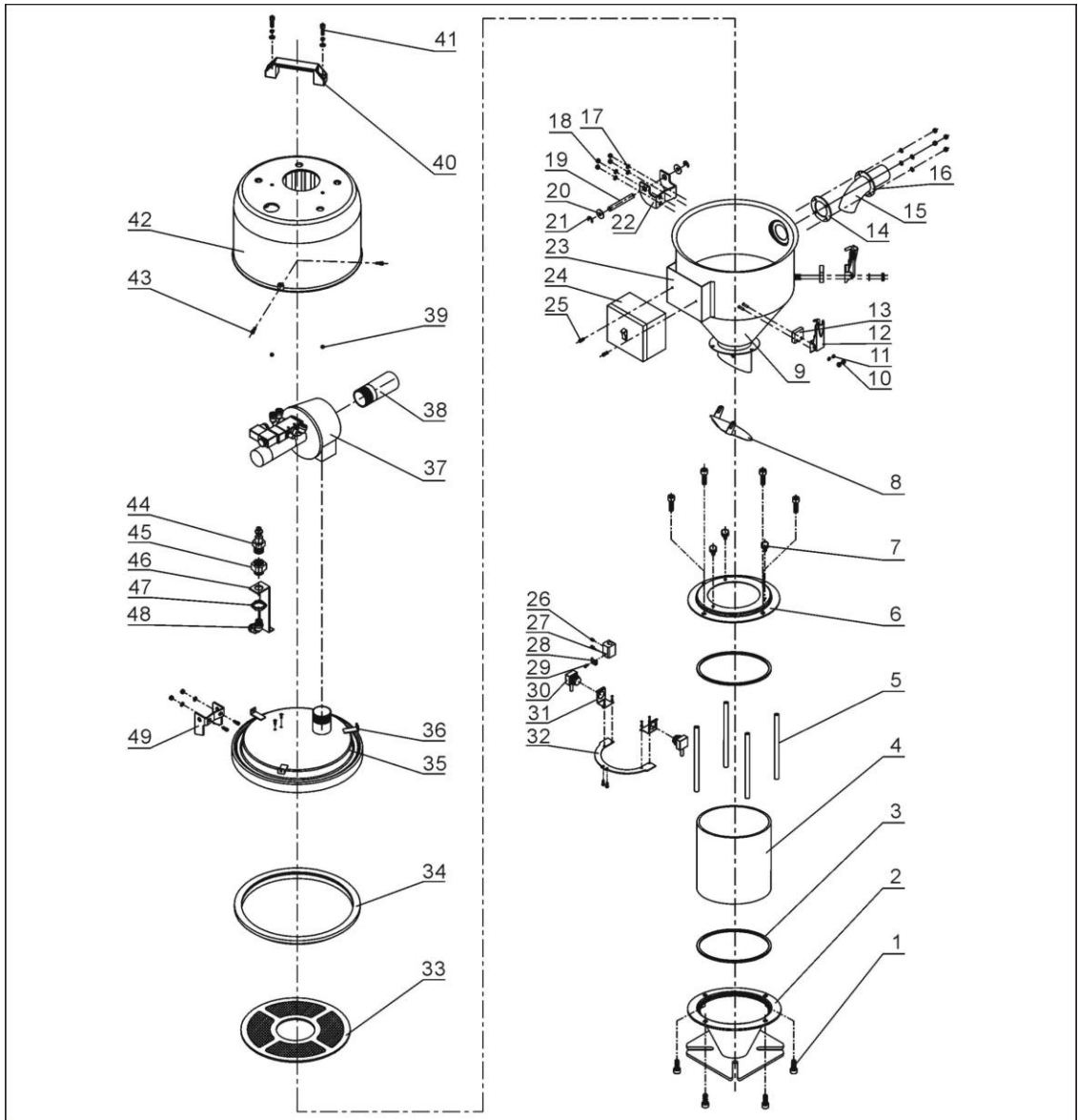
Table 2-10: Parts List (SHR-6U-ES)

No.	Name	Part No.	No.	Name	Part No.
1	Mounting flange	BL21060200820	29	Cross recess pan head screw M4×6	YW63040600000
2	3" Stainless steel pipe clamp	YW07000300000	30	Set screw M4×5	YW68004500000
3	O type seal ring	YR20802600000	31	Photosensor fixing base	BL90001000120
4	Cap nut M6	YW64006000100	32	Photosensor cable pressure block	YW31616200000
5	Down flange of glass pipe	BW32610900010	33	Cross recess pan head screw M4×10	YW63041000000
6	Glass pipe fastener	YR10060200000	34	Photosensor	YE15143900000
7	Glass pipe	YW70317000600	35	Photosensor mounting plate	-
8	Flange connection shaft	BH10000600640	36	Photosensor fixing plate	BL21061200020
9	Non-return flap	-	37	Hopper fastener	YR10000300100
10	Discharge port	-	38	Filter screen	BL21000600620
11	Up flange of glass pipe	BW32610800010	39	Solenoid valve fixing plate	-
12	Material storage tank	-	40	Solenoid valve	YE32051800100
13	Locknut M4×0.7	YW64040700100	41	Diaphragm valve 1.5"	-
14	Flat gasket 4	YW66040800000	42	Air suction pipe	-
15	Snap hook	YW02003000400	43	Locknut M6	YW64000600200
16	Pad	YR40000600800	44	Motor cover	BR40033000110
17	Material inlet pipe fastener	YR10150300000	45	Aluminum square handle L120	BW20012000040
18	Material inlet pipe	-	46	Inner hexagon cylinder head screw M6×20	YW61062000300
19	Material inlet pipe fixing plate	-	47	Cross recess pan head screw M5×15	YW62051500000
20	Flat gasket 5	YW66051000100	48	Quick connector 3" ×1/4PT	YW80031400000
21	Locknut M5	YW64000500000	49	Connection copper head	BH12002400010
22	Hinge pin	BH10006003110	50	Air pipe connector fixing block	-
23	Flat gasket 8×22	YW66082200100	51	Connecting nut	BH12003600410
24	E rings 8	YW69896800000	52	Quick connector	YW80081400100
25	Down hinge	BL32000600140	53	Up hinge	BL32000600240
26	Control box base	-	54	Motor cover fixing base	BL21001501320
27	Control box	BH90615000010	55	Hopper cover	-
28	Hopper base plate fastener	-			

\* means possible broken parts. \*\* means easy broken part. and spare backup is suggested. Please confirm the version of manual before placing the purchase order to make sure that the

item number of the spare part is in accordance with the real object.

## 2.2.21 Parts Drawing (SHR-12U-ES)



Notes: Please refer to material list 2.2.22 for specific explanation of the Arabic numbers in parts drawing.

Picture 2-12: Parts (SHR-12U-ES)

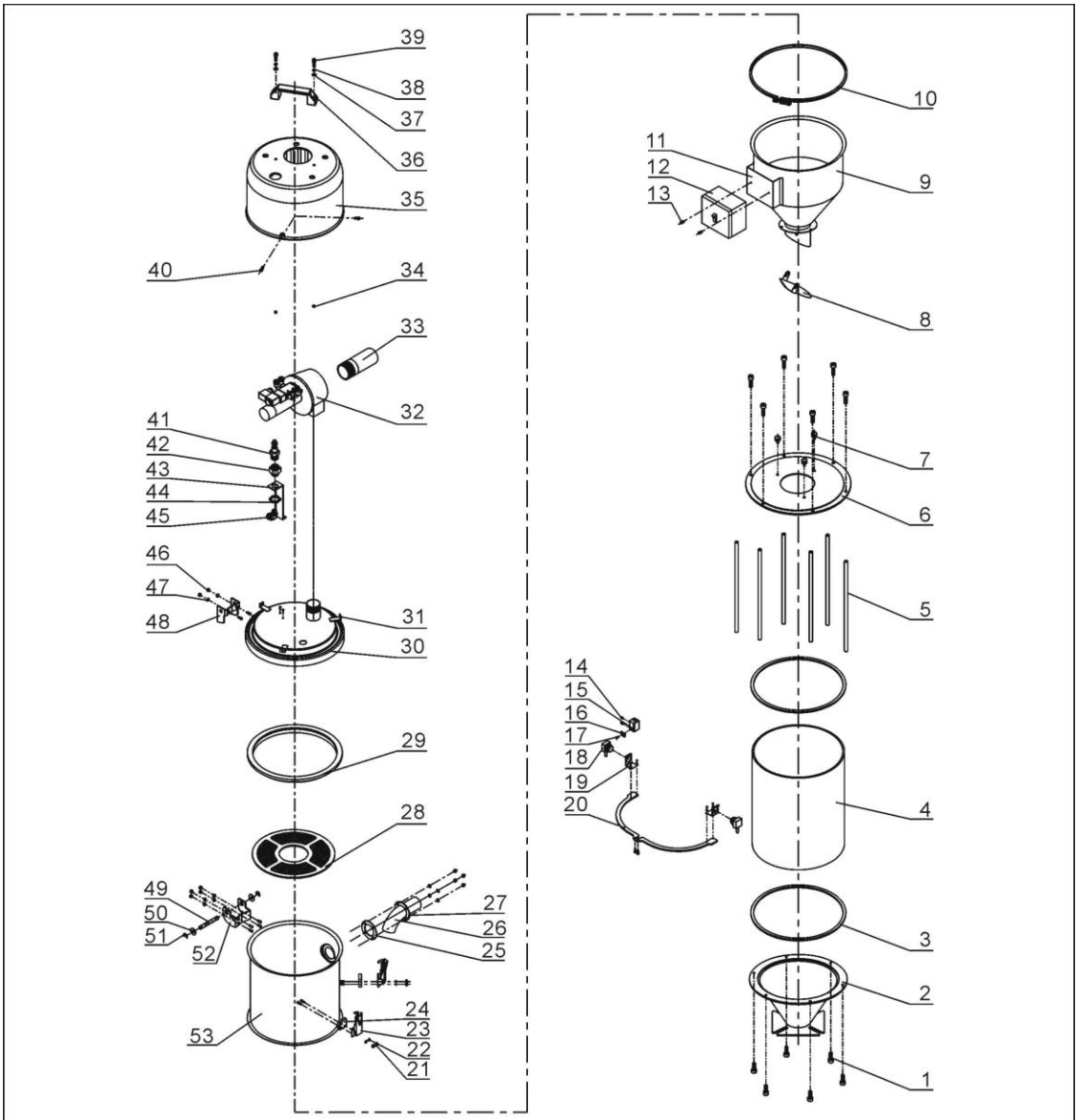
## 2.2.22 Parts List (SHR-12U-ES)

Table 2-11: Parts List (SHR-12U-ES)

No.	Name	Part No.	No.	Name	Part No.
1	Inner hexagon cylinder head screw M6×15	YW61061600300	26	Set screw M4×5	YW68004500000
2	Down flange of glass pipe	BL21000610710	27	Photosensor cable pressure block	BL90001000120
3	Glass pipe fastener	YR10001200100	28	Photosensor cable pressure block	YW31616200000
4	Glass pipe Φ170×Φ160×170	YW70171700000	29	Cross recess pan head screw M4×10	YW63041000000
5	Flange connection shaft	BH10101600210	30	Photosensor FOTEK T18-3MN-PE	YE15143900000
6	Up flange of glass pipe	BW32001200110	31	Photosensor mounting plate	-
7	Plastic handle screw M6×15	YW69621600000	32	Photosensor fixing plate	-
8	Non-return flap	-	33	Filter screen	BL21001200320
9	Material storage tank	-	34	Hopper fastener	YR10000600200
10	Locknut M4×0.7	YW64040700100	35	Hopper cover	-
11	Flat gasket 4	YW66040800000	36	Motor fixing base	BL21001501320
12	Snap hook	YW02003000400	37	Diaphragm valve 1.5"	-
13	Snap hook pad	YR40000600800	38	Air suction pipe	-
14	Material inlet pipe fastener	YR10061200000	39	Locknut M6	YW64000600200
15	Material inlet pipe	-	40	Aluminum square handle L120	BW20012000040
16	Material inlet pipe fixing plate	-	41	Inner hexagon cylinder head screw M6×20	YW61062000300
17	Flat gasket 5	YW66051000100	42	Motor cover	BR40036000310
18	Locknut M5	YW64000500000	43	Cross recess pan head screw M5×15	YW62051500000
19	Hinge pin	BH10006003110	44	Quick connector 3" ×1/4PT	YW80031400000
20	Flat gasket 8×22	YW66082200100	45	Connection copper head	BH12002400010
21	E rings 6	YW69896800000	46	Air pipe connector fixing block	-
22	Down hinge	BL32000600140	47	Connecting nut	BH12003600410
23	Control box base	-	48	Quick connector APLB8-1/4PT	YW80081400100
24	Control box	BH90615000010	49	Up hinge	BL32000600240
25	Cross recess pan head screw M4×6	YW63040600000			

\* means possible broken parts. \*\* means easy broken part. and spare backup is suggested. Please confirm the version of manual before placing the purchase order to make sure that the item number of the spare part is in accordance with the real object.

### 2.2.23 Parts Drawing (SHR-24U-ES)



Notes: Please refer to material list 2.2.24 for specific explanation of the Arabic numbers in parts drawing.

Picture 2-13: Parts (SHR-24U-ES)

## 2.2.24 Parts List (SHR-24U-ES)

Table 2-12: Parts List (SHR-24U-ES)

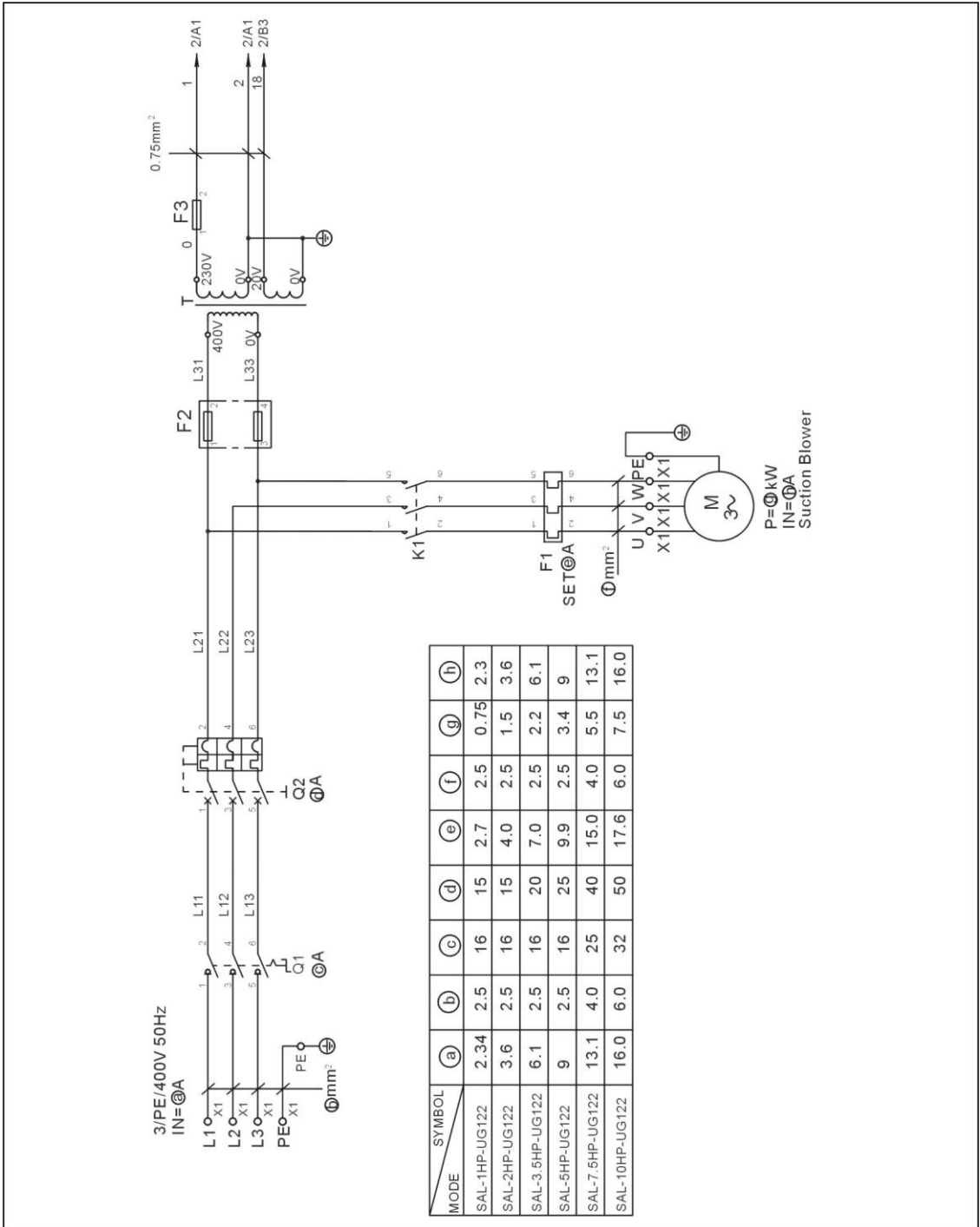
No.	Name	Part No.	No.	Name	Part No.
1	Inner hexagon cylinder head screw M6×15	YW61061600300	28	Filter screen	BL21001200320
2	Down flange of glass pipe	-	29	Hopper fastener	YR10000600200
3	Glass pipe fastener	YR10001200100	30	Hopper cover	-
4	Glass pipe Φ280×Φ270×340	YW70282700000	31	Motor cover fixing base	BL21001501320
5	Flange connection shaft	BH10103300040	32	Diaphragm valve 2"	-
6	Up flange of glass pipe	-	33	Air suction pipe	-
7	Plastic handle screw M6×15	YW69621600000	34	Locknut M6	YW64000600200
8	Non-return flap	-	35	Motor cover	BR40036000310
9	Material storage tank	-	36	Aluminum square handle L120	BW20012000040
10	Pipe clamp	-	37	Flat gasket 6	YW66061300000
11	Control box base	-	38	Spring gasket 6	YW65006000000
12	Control box	BH90615000010	39	Inner hexagon cylinder head screw M6×20	YW61062000300
13	Cross recess pan head screw M4×6	YW63040600000	40	Cross recess pan head screw M5×15	YW62051500000
14	Set screw M4×5	YW68004500000	41	Quick connector 3" ×1/4PT	YW80031400000
15	Photosensor fixing base	BL90001000120	42	Connection copper head	BH12002400010
16	Photosensor cable pressure block	YW31616200000	43	Air pipe connector fixing block	-
17	Cross recess pan head screw M4×10	YW63041000000	44	Connecting nut	BH12003600410
18	Photosensor	YE15143900000	45	Quick connector	YW80081400100
19	Photosensor mounting plate	-	46	Locknut M5	YW64000500000
20	Photosensor fixing plate	-	47	Flat gasket 5	YW66051000100
21	Locknut M4×0.7	YW64040700100	48	Up hinge	BL32000600240
22	Flat gasket 4	YW66040800000	49	Hinge pin	BH10006003110
23	Snap hook	YW02003000400	50	Flat gasket 8×22	YW66082200100
24	Pad	YR40000600800	51	E rings 8	YW69896800000
25	Material inlet pipe fastener	YR10243600000	52	Down hinge	BL32000600140
26	Material inlet pipe	-	53	Enlarged material tank	-
27	Material inlet pipe fixing plate	-			

\* means possible broken parts. \*\* means easy broken part. and spare backup is suggested. Please confirm the version of manual before placing the purchase order to make sure that the

item number of the spare part is in accordance with the real object.

## 2.3 Electrical Diagram (E)

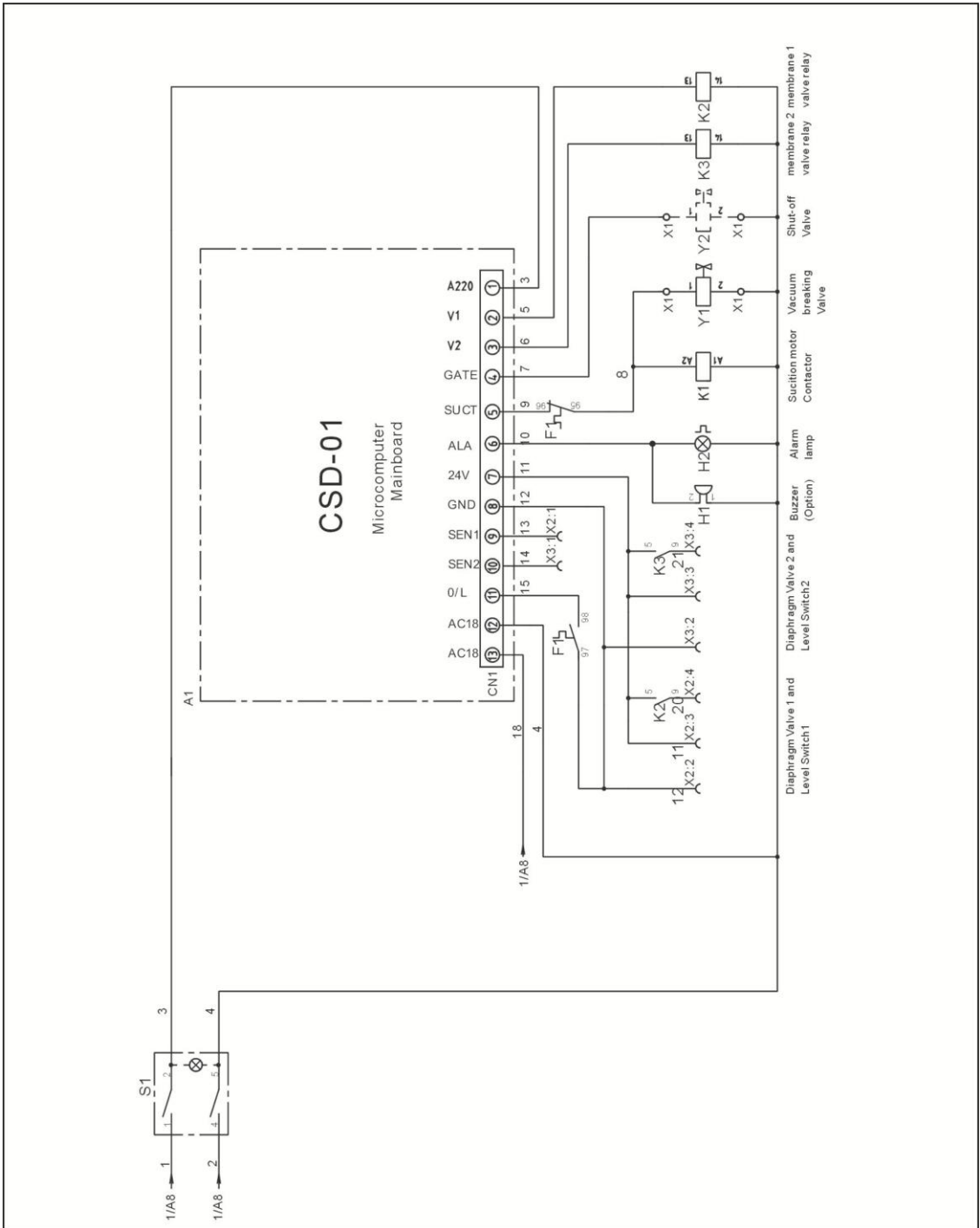
### 2.3.1 Main Circuit (400V)



Picture 2-14: Main Circuit (400V)

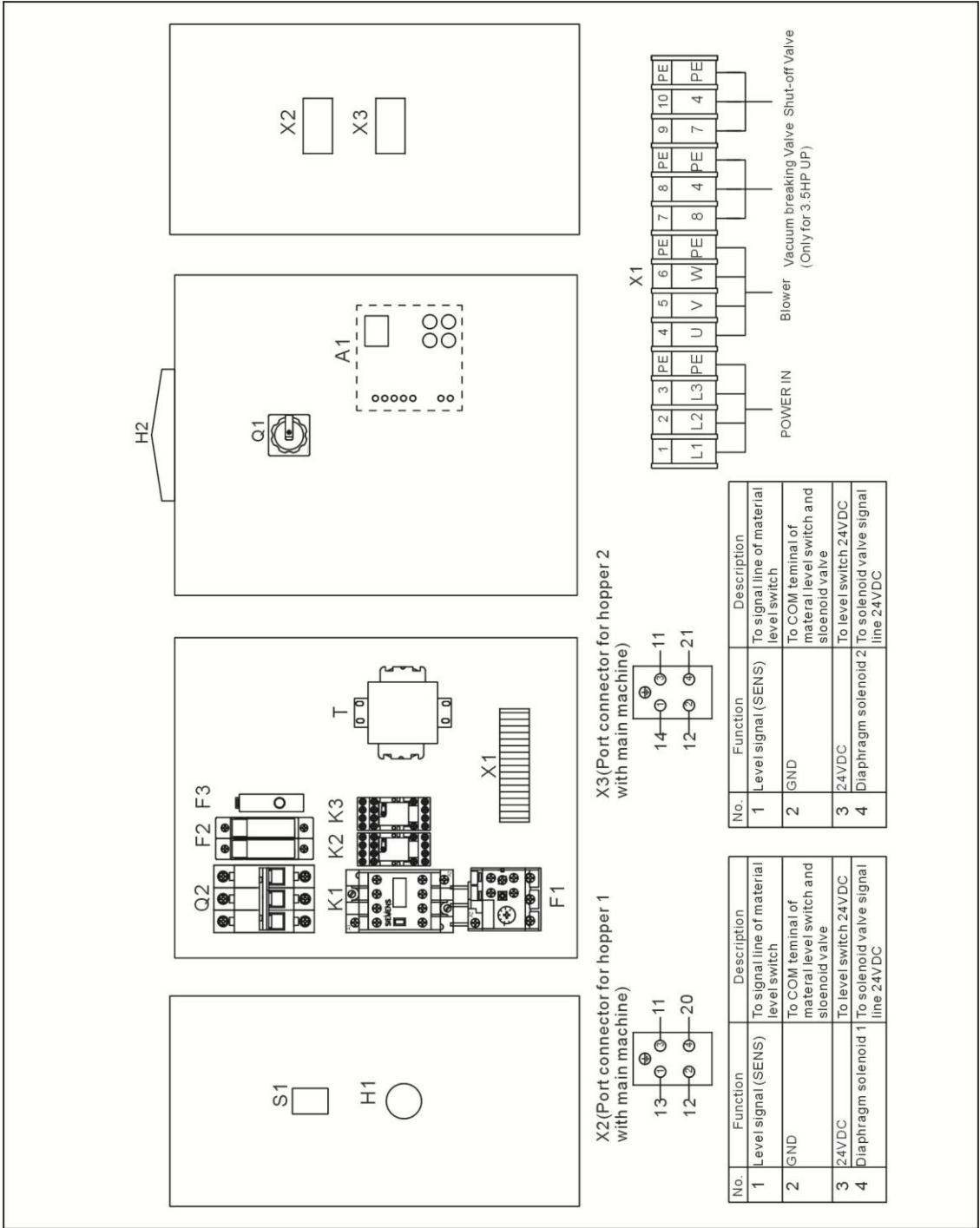


### 2.3.2 Control Circuit (400V)



Picture 2-15: Control Circuit (400V)

### 2.3.3 Electrical Components Layout (400V)



Picture 2-16: Electrical Components Layout (400V)

## 2.3.4 Parts List (400V)

Table 2-13: Parts List (SAL-1HP-UG122) (400V)

NO.	Symbol	Name	SAL-1HP-UG122(400V)	
			Specification	Part NO.
1	Q1	Main switch*	690V 16A 3P	YE10021160000
2	Q2	Circuit-breaker**	400V 15A 3P	YE40601500000
3	K1	AC contactor**	230V 50/60Hz	YE00601521000
4	K2 K3	Middle raley	230V 50/60Hz	YE03570700000
5	H1	Buzzer	60~250VAC	YE84003500000
6	H2	Alarm lamp	230VAC 50/60Hz	YE83305100200
7	F1	Overload raleys	2.2~3.2A	YE01160220000
8	F2	Fuse box	250V 2P 32A	YE41032200000
9	-	Fuse**	500V 1A	YE46001000100
10	F3	Fuse box	250V 2A	YE41001000000
11	T	Transformer**	500mA	YE70504000000
12	S1	Control switch*	4P (WH)	YE10210400000
13	Y1 Y2	Solenoid valve*	230V 50/60Hz	-
14	A1	Circuuit board	18VAC 50/60Hz	YE80101100000
15	X1	Terminal board	800V 24A	YE61250000000
16	-	Terminal board	-	YE61253500000
17	X2 X3	Port	4P	YE60000040000
18	-	Port	4P	YE600000400200
19	M	Motor	1HP	-

\* means possible broken parts. \*\* means easy broken part. and spare backup is suggested. Please confirm the version of manual before placing the purchase order to make sure that the item number of the spare part is in accordance with the real object.

Table 2-14: Parts List (SAL-2HP-UG122) (400V)

NO.	Symbol	Name	SAL-2HP-UG122(400V)	
			Specification	Part NO.
1	Q1	Main switch*	690V 16A 3P	YE10021160000
2	Q2	Circuit-breaker**	400V 15A 3P	YE40601500000
3	K1	AC contactor**	230V 50/60Hz	YE00601521000
4	K2 K3	Middle raley	230V 50/60Hz	YE03570700000
5	H1	Buzzer	60~250VAC	YE84003500000
6	H2	Alarm lamp	230VAC 50/60Hz	YE83305100200
7	F1	Overload raleys	3.5~5A	YE01160350000
8	F2	Fuse box	250V 2P 32A	YE41032200000
9	-	Fuse**	500V 1A	YE46001000100
10	F3	Fuse box	250V 2A	YE41001000000
11	T	Transformer**	500mA	YE70504000000
12	S1	Control switch*	4P (WH)	YE10210400000
13	Y1 Y2	Solenoid valve*	230V 50/60Hz	-
14	A1	Circuuit board	18VAC 50/60Hz	YE80101100000
15	X1	Terminal board	800V 24A	YE61250000000
16	-	Terminal board	-	YE61253500000
17	X2 X3	Port	4P	YE60000040000
18	-	Port	4P	YE60000400200
19	M	Motor	2HP	-

\* means possible broken parts. \*\* means easy broken part. and spare backup is suggested. Please confirm the version of manual before placing the purchase order to make sure that the item number of the spare part is in accordance with the real object.

Table 2-15: Parts List (SAL-3.5HP-UG122) (400V)

NO.	Symbol	Name	SAL-3.5HP-UG122(400V)	
			Specification	Part NO.
1	Q1	Main switch*	690V 16A 3P	YE10021160000
2	Q2	Circuit-breaker**	400V 20A 3P	YE40602000000
3	K1	AC contactor**	230V 50/60Hz	YE00601621000
4	K2 K3	Middle raley	230V 50/60Hz	YE03570700000
5	H1	Buzzer	60~250VAC	YE84003500000
6	H2	Alarm lamp	230VAC 50/60Hz	YE83305100200
7	F1	Overload raleys	5.5~8A	YE01160550000
8	F2	Fuse box	250V 2P 32A	YE41032200000
9	-	Fuse**	500V 1A	YE46001000100
10	F3	Fuse box	250V 2A	YE41001000000
11	T	Transformer**	500mA	YE70504000000
12	S1	Control switch*	4P (WH)	YE10210400000
13	Y1 Y2	Solenoid valve*	230V 50/60Hz	-
14	A1	Circuuit board	18VAC 50/60Hz	YE80101100000
15	X1	Terminal board	800V 24A	YE61250000000
16	-	Terminal board	-	YE61253500000
17	X2 X3	Port	4P	YE60000040000
18	-	Port	4P	YE60000400200
19	M	Motor	3.5HP	-

\* means possible broken parts. \*\* means easy broken part. and spare backup is suggested. Please confirm the version of manual before placing the purchase order to make sure that the item number of the spare part is in accordance with the real object.

Table 2-16: Parts List (SAL-5HP-UG122) (400V)

NO.	Symbol	Name	SAL-5HP-UG122(400V)	
			Specification	Part NO.
1	Q1	Main switch*	690V 16A 3P	YE10021160000
2	Q2	Circuit-breaker**	400V 25A 3P	YE40602500000
3	K1	AC contactor**	230V 50/60Hz	YE00601721000
4	K2 K3	Middle raley	230V 50/60Hz	YE03570700000
5	H1	Buzzer	60~250VAC	YE84003500000
6	H2	Alarm lamp	230VAC 50/60Hz	YE83305100200
7	F1	Overload raleys	9~12.5A	YE01169125000
8	F2	Fuse box	250V 2P 32A	YE41032200000
9	-	Fuse**	500V 1A	YE46001000100
10	F3	Fuse box	250V 2A	YE41001000000
11	T	Transformer**	500mA	YE70504000000
12	S1	Control switch*	4P (WH)	YE10210400000
13	Y1 Y2	Solenoid valve*	230V 50/60Hz	-
14	A1	Circuuit board	18VAC 50/60Hz	YE80101100000
15	X1	Terminal board	800V 24A	YE61250000000
16	-	Terminal board	-	YE61253500000
17	X2 X3	Port	4P	YE60000040000
18	-	Port	4P	YE60000400200
19	M	Motor	5HP	-

\* means possible broken parts. \*\* means easy broken part. and spare backup is suggested. Please confirm the version of manual before placing the purchase order to make sure that the item number of the spare part is in accordance with the real object.

Table 2-17: Parts List (SAL-7.5HP-UG122) (400V)

NO.	Symbol	Name	SAL-7.5HP-UG122(400V)	
			Specification	Part NO.
1	Q1	Main switch*	690V 25A 3P	YE10125250000
2	Q2	Circuit-breaker**	400V 40A 3P	YE40604000000
3	K1	AC contactor**	230V 50/60Hz	YE00602522000
4	K2 K3	Middle raley	230V 50/60Hz	YE03570700000
5	H1	Buzzer	60~250VAC	YE84003500000
6	H2	Alarm lamp	230VAC 50/60Hz	YE83305100200
7	F1	Overload raleys	11~16A	YE01260110000
8	F2	Fuse box	250V 2P 32A	YE41032200000
9	-	Fuse**	500V 1A	YE46001000100
10	F3	Fuse box	250V 2A	YE41001000000
11	T	Transformer**	500mA	YE70504000000
12	S1	Control switch*	4P (WH)	YE10210400000
13	Y1 Y2	Solenoid valve*	230V 50/60Hz	-
14	A1	Circuuit board	18VAC 50/60Hz	YE80101100000
15	X1	Terminal board	800V 32A	YE61040000000
16	-	Terminal board	-	YE61043500000
17	-	Terminal board	800V 24A	YE61250000000
18	-	Terminal board	-	YE61253500000
19	X2 X3	Port	4P	YE60000040000
20	-	Port	4P	YE60000400200
21	M	Motor	7.5HP	-

\* means possible broken parts. \*\* means easy broken part. and spare backup is suggested. Please confirm the version of manual before placing the purchase order to make sure that the item number of the spare part is in accordance with the real object.

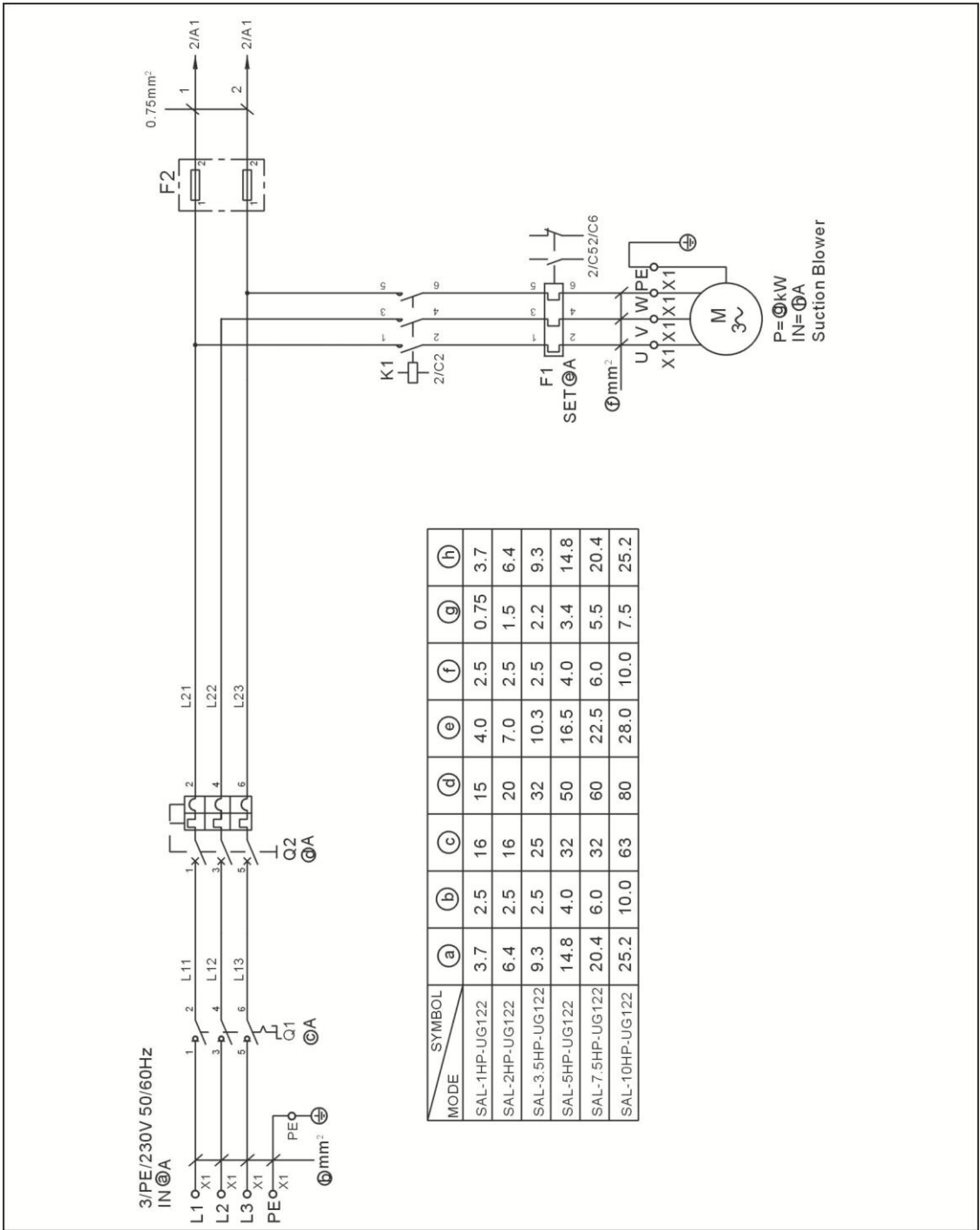
Table 2-18: Parts List (SAL-10HP-UG122)(400V)

NO.	Symbol	Name	SAL-10HP-UG122(400V)	
			Specification	Part NO.
1	Q1	Main switch*	690V 32A 3P	YE10323200000
2	Q2	Circuit-breaker**	400V 50A 3P	YE40605000000
3	K1	AC contactor**	230V 50/60Hz	YE00602622000
4	K2 K3	Middle raley	230V 50/60Hz	YE03570700000
5	H1	Buzzer	60~250VAC	YE84003500000
6	H2	Alarm lamp	230VAC 50/60Hz	YE83305100200
7	F1	Overload raleys	14~20A	YE01260140000
8	F2	Fuse box	250V 2P 32A	YE41032200000
9	-	Fuse**	500V 1A	YE46001000100
10	F3	Fuse box	250V 2A	YE41001000000
11	T	Transformer**	500mA	YE70504000000
12	S1	Control switch*	4P (WH)	YE10210400000
13	Y1 Y2	Solenoid valve*	230V 50/60Hz	-
14	A1	Circuuit board	18VAC 50/60Hz	YE80101100000
15	X1	Terminal board	800V 41A	YE61060000000
16	-	Terminal board	-	YE61063500000
17	-	Terminal board	800V 24A	YE61250000000
18	-	Terminal board	-	YE61253500000
19	X2 X3	Port	4P	YE60000040000
20	-	Port	4P	YE60000400200
21	M	Motor	10HP	-

\* means possible broken parts. \*\* means easy broken part. and spare backup is suggested. Please confirm the version of manual before placing the purchase order to make sure that the item number of the spare part is in accordance with the real object.

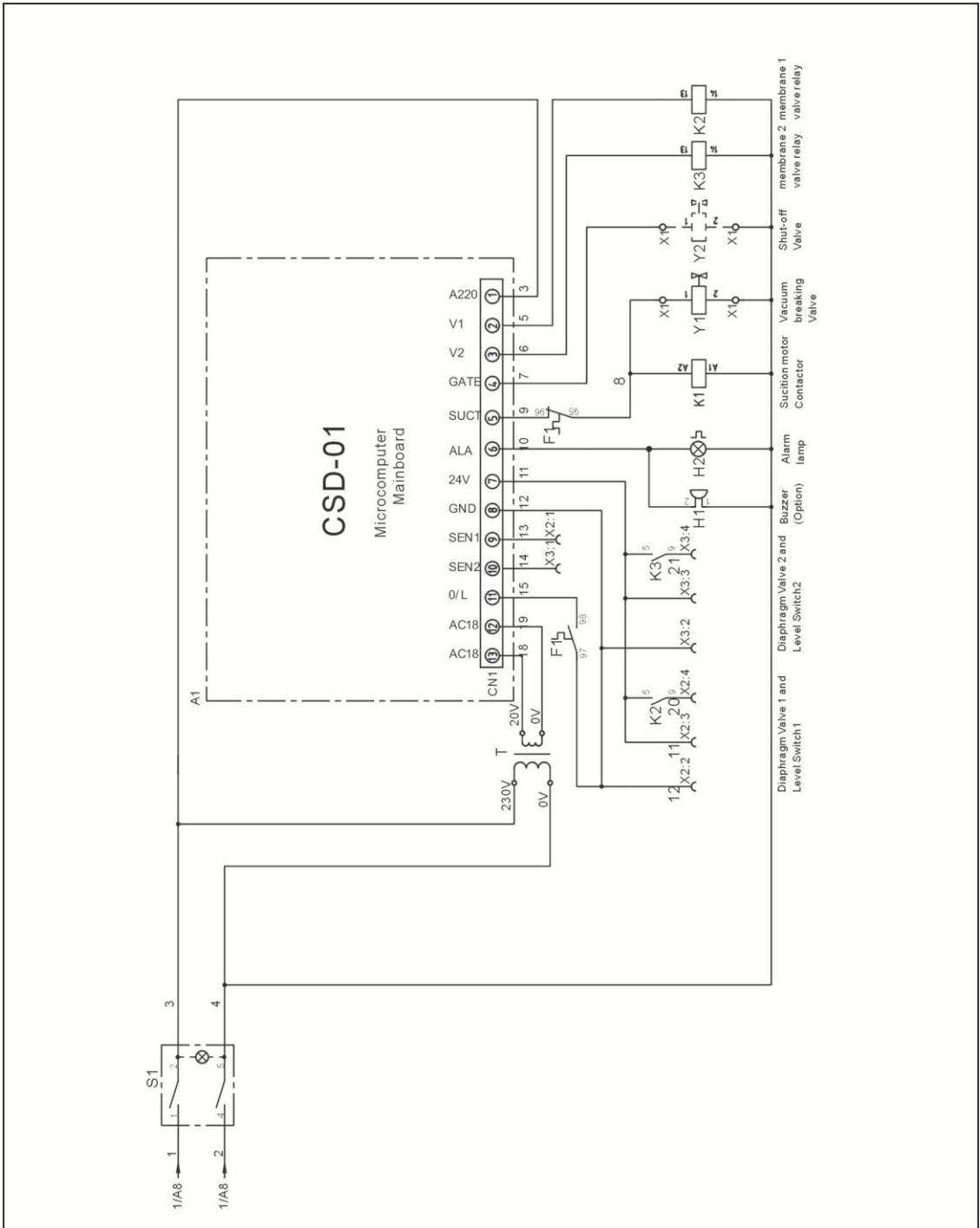


### 2.3.5 Main Circuit (230V)



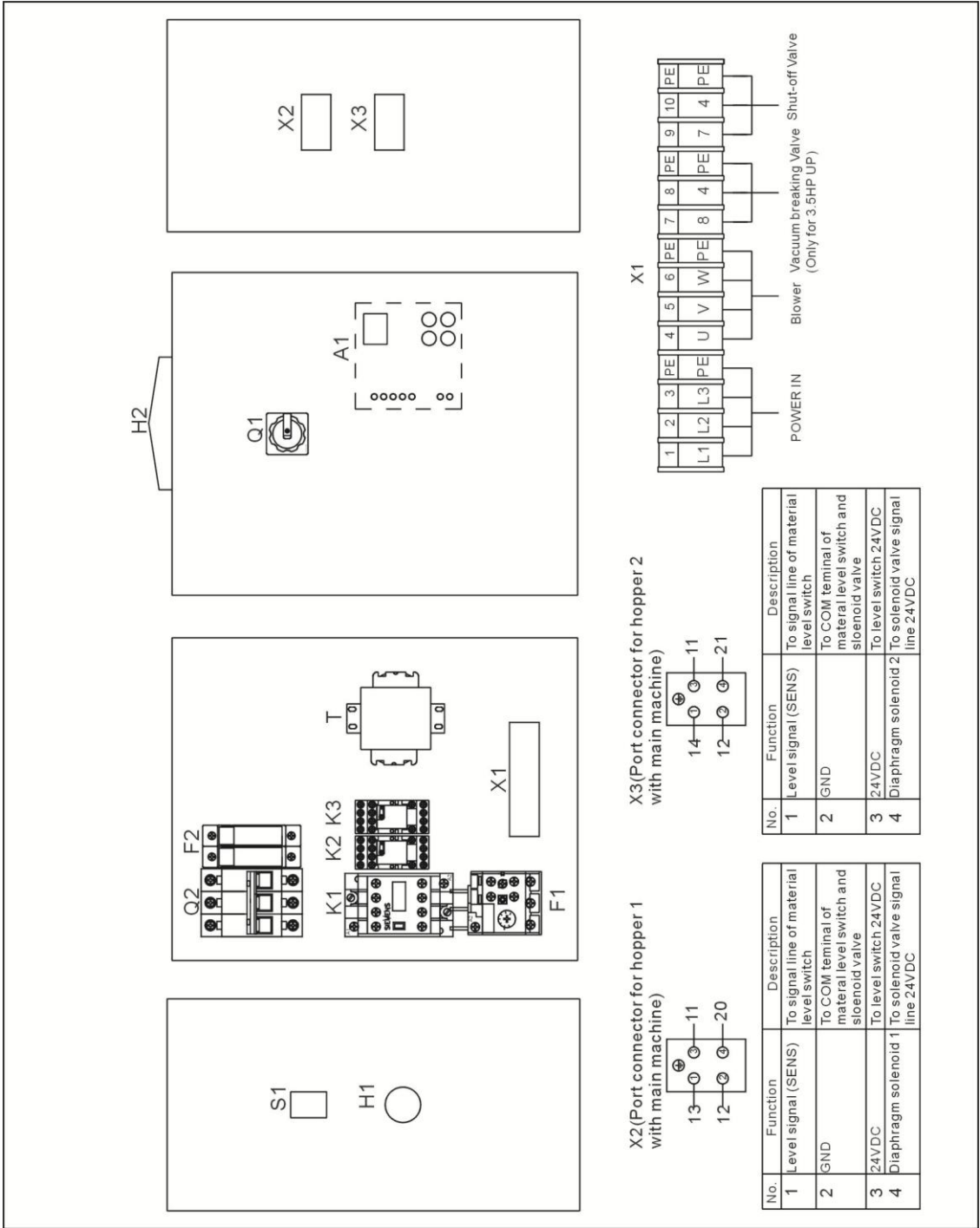
Picture 2-17: Main Circuit (230V)

### 2.3.6 Control Circuit (230V)



Picture 2-18: Control Circuit (230V)

### 2.3.7 Electrical Components Layout (230V)



Picture 2-19: Electrical Components Layout (230V)

## 2.3.8 Parts List (230V)

Table 2-19: Parts List (SAL-1HP-UG122) (230V)

NO.	Symbol	Name	SAL-1HP-UG122(230V)	
			Specification	Part NO.
1	Q1	Main switch*	690V 16A 3P	YE10211600000
2	Q2	Circuit breakers**	500V 15A 3P	YE40601500000
3	K1	Contactors**	230V 50/60Hz	YE00601521000
4	K2 K3	Middle raley	230V 50/60Hz	YE03570700000
5	H1	Buzzer	60~250VAC	YE84003500100
6	H2	Alarm lamp	230VAC 50/60Hz	YE83305100200
7	F1	Overload relays	3.5~5A	YE01160350000
8	F2	Fuse box	500V 2A 32A	YE41032200000
9	-	Fuse	500V 2A 10×38	YE46002000100
10	T	Transformer**	350mA	YE70202300400
11	S1	Control switch*	4P (WH)	YE10210400000
12	Y1 Y2	Solenoid valve*	230V 50/60Hz	-
13	A1	PCB	18VAC 50/60Hz	YE80101100000
14	X1	Terminal block	800V 24A	YE61250000000
15	-	Terminal block	-	YE61253500000
16	X2 X3	Port	4P	YE60000040000
17	-	Port	4P	YE60000400200
18	M	Motor	1HP 230V 50/60Hz	-

\* means possible broken parts. \*\* means easy broken part. and spare backup is suggested. Please confirm the version of manual before placing the purchase order to make sure that the item number of the spare part is in accordance with the real object.

Table 2-20: Parts List (SAL-2HP-UG122) (230V)

NO.	Symbol	Name	SAL-2HP-UG122(230V)	
			Specification	Part NO.
1	Q1	Main switch*	690V 16A 3P	YE10211600000
2	Q2	Circuit breakers**	500V 20A 3P	YE40602000000
3	K1	Contactors**	230V 50/60Hz	YE00601621000
4	K2 K3	Middle raley	230V 50/60Hz	YE03570700000
5	H1	Buzzer	60~250VAC	YE84003500100
6	H2	Alarm lamp	230VAC 50/60Hz	YE83305100200
7	F1	Overload relays	5.5~8A	YE01160550000
8	F2	Fuse box	500V 2A 32A	YE41032200000
9	-	Fuse	500V 2A 10×38	YE46002000100
10	T	Transformer**	350mA	YE70202300400
11	S1	Control switch*	4P (WH)	YE10210400000
12	Y1 Y2	Solenoid valve*	230V 50/60Hz	-
13	A1	PCB	18VAC 50/60Hz	YE80101100000
14	X1	Terminal block	800V 24A	YE61250000000
15	-	Terminal block	-	YE61253500000
16	X2 X3	Port	4P	YE60000040000
17	-	Port	4P	YE60000400200
18	M	Motor	2HP 230V 50/60Hz	-

\* means possible broken parts. \*\* means easy broken part. and spare backup is suggested. Please confirm the version of manual before placing the purchase order to make sure that the item number of the spare part is in accordance with the real object.

Table 2-21: Parts List (SAL-3.5HP-UG122) (230V)

NO.	Symbol	Name	SAL-3.5HP-UG122(230V)	
			Specification	Part NO.
1	Q1	Main switch*	690V 25A 3P	YE10125250000
2	Q2	Circuit breakers**	500V 32A 3P	YE40603200000
3	K1	Contactors**	230V 50/60Hz	YE00601721000
4	K2 K3	Middle raley	230V 50/60Hz	YE03570700000
5	H1	Buzzer	60~250VAC	YE84003500100
6	H2	Alarm lamp	230VAC 50/60Hz	YE83305100200
7	F1	Overload relays	9~12.5A	YE01169125000
8	F2	Fuse box	500V 2A 32A	YE41032200000
9	-	Fuse	500V 2A 10×38	YE46002000100
10	T	Transformer**	350mA	YE70202300400
11	S1	Control switch*	4P (WH)	YE10210400000
12	Y1 Y2	Solenoid valve*	230V 50/60Hz	-
13	A1	PCB	18VAC 50/60Hz	YE80101100000
14	X1	Terminal block	800V 24A	YE61250000000
15	-	Terminal block	-	YE61253500000
16	X2 X3	Port	4P	YE60000040000
17	-	Port	4P	YE60000400200
18	M	Motor	3.5HP 230V 50/60Hz	-

\* means possible broken parts. \*\* means easy broken part. and spare backup is suggested. Please confirm the version of manual before placing the purchase order to make sure that the item number of the spare part is in accordance with the real object.

Table 2-22: Parts List (SAL-5HP-UG122) (230V)

NO.	Symbol	Name	SAL-5HP-UG122(230V)	
			Specification	Part NO.
1	Q1	Main switch*	690V 25A 3P	YE10323200000
2	Q2	Circuit breakers**	500V 32A 3P	YE40605000000
3	K1	Contactors**	230V 50/60Hz	YE00602522000
4	K2 K3	Middle raley	230V 50/60Hz	YE03570700000
5	H1	Buzzer	60~250VAC	YE84003500100
6	H2	Alarm lamp	230VAC 50/60Hz	YE83305100200
7	F1	Overload relays	14~20A	YE01260140000
8	F2	Fuse box	500V 2A 32A	YE41032200000
9	-	Fuse	500V 2A 10×38	YE46002000100
10	T	Transformer**	350mA	YE70202300400
11	S1	Control switch*	4P (WH)	YE10210400000
12	Y1 Y2	Solenoid valve*	230V 50/60Hz	-
13	A1	PCB	18VAC 50/60Hz	YE80101100000
14	X1	Terminal block	800V 32A	YE61040000000
15	-	Terminal block	-	YE61043500000
16	-	Terminal block	800V 24A	YE61250000000
17	-	Terminal block	-	YE61253500000
18	X2 X3	Port	4P	YE60000040000
19	-	Port	4P	YE60000400200
20	M	Motor	5HP 230V 50/60Hz	-

\* means possible broken parts. \*\* means easy broken part. and spare backup is suggested. Please confirm the version of manual before placing the purchase order to make sure that the item number of the spare part is in accordance with the real object.

Table 2-23: Parts List (SAL-7.5HP-UG122) (230V)

NO.	Symbol	Name	SAL-7.5HP-UG122(230V)	
			Specification	Part NO.
1	Q1	Main switch*	690V 32A 3P	YE10323200000
2	Q2	Circuit breakers**	500V 60A 3P	YE40606000000
3	K1	Contactors**	230V 50/60Hz	YE00602622000
4	K2 K3	Middle raley	230V 50/60Hz	YE03570700000
5	H1	Buzzer	60~250VAC	YE84003500100
6	H2	Alarm lamp	230VAC 50/60Hz	YE83305100200
7	F1	Overload relays	20~25A	YE01260200000
8	F2	Fuse box	500V 2A 32A	YE41032200000
9	-	Fuse	500V 2A 10×38	YE46002000100
10	T	Transformer**	350mA	YE70202300400
11	S1	Control switch*	4P (WH)	YE10210400000
12	Y1 Y2	Solenoid valve*	230V 50/60Hz	-
13	A1	PCB	18VAC 50/60Hz	YE80101100000
14	X1	Terminal block	800V 41A	YE61060000000
15	-	Terminal block	-	YE61063500000
16	-	Terminal block	800V 24A	YE61250000000
17	-	Terminal block	-	YE61253500000
18	X2 X3	Port	4P	YE60000040000
19	-	Port	4P	YE60000400200
20	M	Motor	7.5HP 230V 50/60Hz	-

\* means possible broken parts. \*\* means easy broken part. and spare backup is suggested. Please confirm the version of manual before placing the purchase order to make sure that the item number of the spare part is in accordance with the real object.



Table 2-24: Parts List (SAL-10HP-UG122) (230V)

NO.	Symbol	Name	SAL-10HP-UG122(230V)	
			Specification	Part NO.
1	Q1	Main switch*	690V 63A 3P	YE10636300000
2	Q2	Circuit breakers**	500V 80A 3P	YE40800300000
3	K1	Contactors**	230V 50/60Hz	YE00602722000
4	K2 K3	Middle raley	230V 50/60Hz	YE03570700000
5	H1	Buzzer	60~250VAC	YE84003500100
6	H2	Alarm lamp	230VAC 50/60Hz	YE83305100200
7	F1	Overload relays	27~32A	YE01612600600
8	F2	Fuse box	500V 2A 32A	YE41032200000
9	-	Fuse	500V 2A 10×38	YE46002000100
10	T	Transformer**	350mA	YE70202300400
11	S1	Control switch*	4P (WH)	YE10210400000
12	Y1 Y2	Solenoid valve*	230V 50/60Hz	-
13	A1	PCB	18VAC 50/60Hz	YE80101100000
14	X1	Terminal block	800V 57A	YE61100000000
15	-	Terminal block	-	YE61103500000
16	-	Terminal block	800V 24A	YE61250000000
17	-	Terminal block	-	YE61253500000
18	X2 X3	Port	4P	YE60000040000
19	-	Port	4P	YE60000400200
20	M	Motor	10HP 230V 50/60Hz	-

\* means possible broken parts.

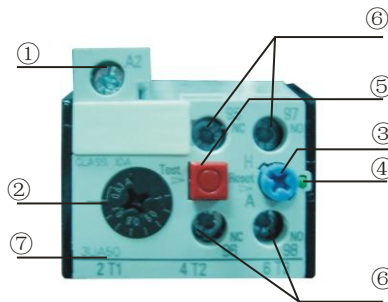
\*\* means easy broken part. and spare backup is suggested.

Please confirm the version of manual before placing the purchase order to guarantee that the item number of the spare part is in accordance with the real object.

## 2.4 Electrical Component Instruction

### Overload Relay

At delivery, the overload relay is set for manual reset. (the reset button pointing to H). Manually reset the relay at the tripping of the switch. When motor overload occurs, stop the machine, then check and solve the problem. After that open the door of control box, press down the reset button of overload relay (if you can not press down the reset button, wait for one minute).



Picture 2-20: Overload Relay

1) Terminal for contact coil A2.

2) Setting current adjusting scale.

3) Reset (blue).

H: manual reset

A: automatic reset

4) Switch position indication (green).

Tripping of a manual-resetting is indicated by a pin projecting from the front plate.

5) Test button (red).

6) Auxiliary contact terminals shown in 95.96.97.98. NC and NO contacts are shown in position 95.96. and 97.98. respectively.

7) Main circuit connection No. must be correspond with terminal Number of contactor.

## 2.5 Optional Accessories

### 2.5.1 Air Accumulator

#### 2.5.1.1 Function of air Accumulator



Picture 2-21: Air Accumulator

#### 2.5.1.2 Specification of air Accumulator

Air accumulator: HxD=170x76mm



Note!

Please fix the air supply correctly. Air pressure not less than 4 bar.

### 3. Installation and Debugging



Read this chapter carefully before installation of the machine. Install the machine by following steps.

Power supply should be fixed by qualified technicians!

#### 3.1 Installation Space

When install this machine, make sure to have enough space for installation (there should be 1m remain space around the machine), like show in the figure. It is not convenient for checking and maintenance of the machine if it is installed in a narrow space.



Picture 3-1: Installation Space

#### 3.2 Power Connection

Make sure the power supply is complied with the required specification before connection.

The power specification of the machine is preset as 3 $\Phi$ 400V usually and can be also made on customer's specific requirements.



Before connecting to power supply, make sure the power switch is in shut off position.

## 4. Application and Operation

### 4.1 Control Panel



Picture 4-1: Control Panel


### 4.2 OPERATION

- 1) Connect the power supply, "--" is displayed on LED, then enter to set loading time.
- 2) Press key "⊖", the lamp of LOAD1 is red. Then press key "▲▼" to set the loading time of LOAD1.
- 3) Press the key "⊖" again, the lamp of LOAD2 is red. Then press the key "▲▼" to set the loading time of LOAD2.
- 4) Press the key "⊖" once more, the lamp of GATE is red. Then press the key "▲▼" to set the loading time of shut-off valve.
- 5) After setting, press key "☑" to confirm.
- 6) Press once the key "☑", the LOAD1 will auto-working. Press twice the key "☑", the LOAD2 will auto-working. Press three times the key "☑", the Shut-off valve will auto-working. Then press four times the key "☑", the machine is stop.

### 4.3 NOTES

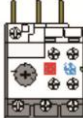
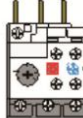
- 1) When running out of material, or the motor is overload, the operation will auto-stop and sound the alarm. Press ☑ button for closing the alarm sound

and stoppage.

After refilling the material, Press the  button to start the operation.

2) Check suction filter periodically and clean filter screen if necessary.

## 5. Trouble-shooting

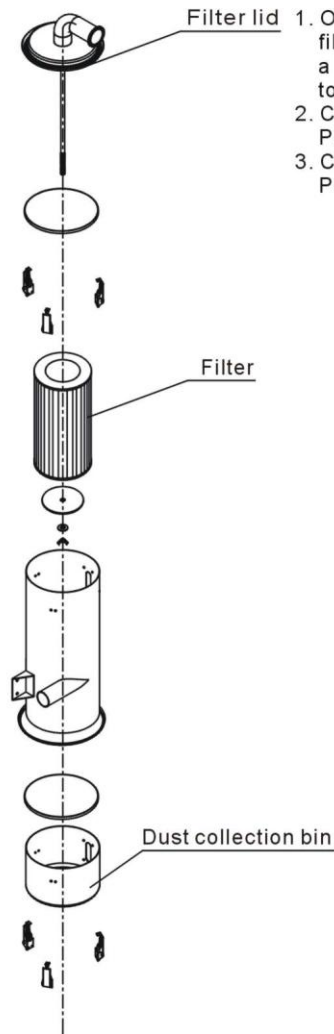
Failures	Possible reasons	Solutions
When shortage lasts long, but suction blower don't run.	1. The main switch and control switch don't open or the above two don't connect well.	1. Close the main switch and control switch and check their connecting.
	2. The microswitch on hopper don't connect well.	2. Adjust or replace.
	3. The signal wire is break.	3. Re-connect.
The suction blower still run, if the hopper is full.	The touch point is conglutinated.	Repair or replace.
After several times of loading the material hopper still empty or the material shortage alarm occur.	1. The storage tank is empty.	1. Add the material.
	2. The pipe is air leak.	2. Lock tightly and replace the vacuuming pipe.
	3. The filter is block.	3. Clean the filter.
The motor can't run.	Short-phase or motor was burnt out.	Check and replace.
The fuse always was burn out after start-up.	Short circuit or connect the ground.	Check the circuit.
Motor overload alarm occur	1. The filter is block.	Clean the filter and reset the overload relay. 
	2. One of three phase is lacking.	Check the circuit and reset the overload relay. 

## 6. Maintenance and Repair



All the repairs work should be done by professionals in order to prevent personal injuries and damage of the machine.

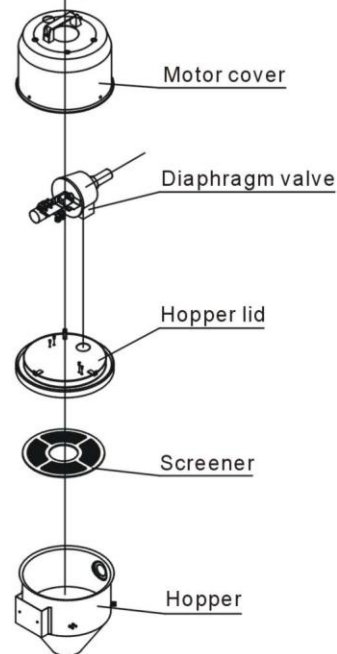
Main body, Filter Inspection and Storage Hopper Cleanup



1. Open the filter lid and remove the filter, blow away the dust on it with a high pressure air gun from inside to outside.
2. Clean the filter.  
Period: daily
3. Clean the dust collection bin.  
Period: daily

Hopper, Screener

1. Loosen the snap hook of the tank, remove the filtering barrel lid, take out the plate filter and eliminate the dust on it.
2. Clean the plate filter. Period: daily



### 6.1 Material Hopper

Clean material hopper periodically or when you find conveying capacity reduced. Please loose the spring clips, take down the hopper lid, and take out filter screen. Remove all the dusts and fines on filter screen and inside of material hopper.

### 6.2 Main Body



Take out the air filter to make it clean periodically or when you find conveying capacity reduced. Always keep smooth air flow through air filter to maintain good conveying capacity.

Cleaning steps:

- 1) Loosen spring clips of filter cover and butterfly screws, and take out the filter.
- 2) Remove the dusts adhering to the filter to keep good suction power.

### 6.3 Reed Switch, Photoelectric Switch

Reed switch

When the indicator of the reed switch doesn't work, check the switch contact and replace with a new one if it doesn't work well.

- 1) Unscrew the outer box of the sensor.
- 2) Adjust the depth or move position the sensor inserted into the box, the indicator lamp lights means that magnetism has been detected and the switch is well worked.
- 3) If magnetism cannot be detected by magnets, please check whether the switch is bad contacted or damaged.

Photoelectric Switch

When the indicator of the photoelectric switch doesn't work, check the switch contact and replace with a new one if it doesn't work well.

- 1) Check whether the wires are bad contacted.
- 2) Please replace with a new one if the switch is damaged.

### 6.4 Weekly Checking

- 1) Check if there are broken electrical wires or not. Replace the broken wires immediately.
- 2) Check the function of the keys on the control panel.
- 3) Check if conveying hose connections at material inlet are loose or not, and if the seal ring is sealed up.



Note!

Cut off power supply when you check electrical wires.

### 6.5 Monthly Checking

- 1) Check if the clips of hopper lid is loose or not.

- 2) Check if the stopping flap is out of shape. If it is, please replace it.
- 3) Check the performance of magnetic proximity switch or photo sensor. If there is poor contact, adjust or replace it.
- 4) Check the working condition of the suction motor.

## 6.6 Maintenance Schedule

### 6.6.1 About the Machine

Model \_\_\_\_\_ SN \_\_\_\_\_ Manufacture date \_\_\_\_\_

Voltage \_\_\_\_\_  $\Phi$  \_\_\_\_\_ V Frequency \_\_\_\_\_ Hz Power \_\_\_\_\_ kW

### 6.6.2 Installation & Inspection

- Check if the takeover pipe has been correctly connected.
- Check if that pipe is locked up by clips.
- Check if mounting base is locked tightly.

#### Electrical Installation

- Voltage: \_\_\_\_\_ V \_\_\_\_\_ Hz
- Fuse melting current: One-phase: A \_\_\_\_\_ Three-phase: \_\_\_\_\_ A
- Check phase sequence of power supply.

### 6.6.3 Daily Checking

- Check main power switch.
- Check filter mesh.
- Check working status of the motor.

### 6.6.4 Weekly Checking

- Check all the electrical cables.
- Check if there are loose connections of electrical components.
- Check the screw of the feed-in pipe's flange is loosed or not.
- Check the air filter.

### 6.6.5 Monthly Checking

- Check the spring lock on the hopper cover is loosed or not.
- Check the reversal stop piece is deformed or not.
- Check the function of the magnetic proximity switch.