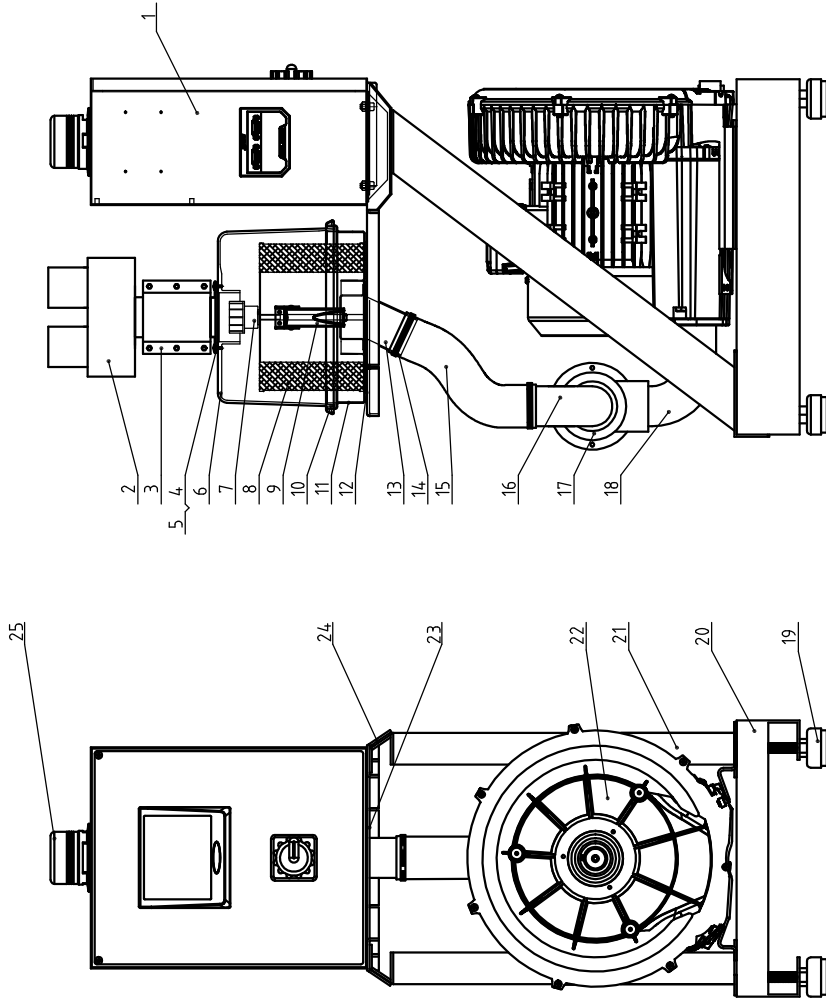


SAL-1HP-UG122 assembly diagram and parts List.

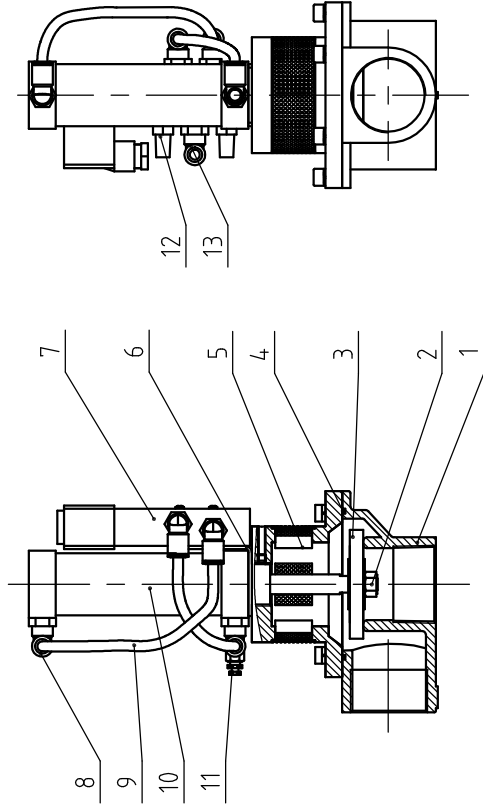


“\*”Indicates the items that may be damaged; “\*\*” indicates the items that are more likely to be damaged. It is recommended to back them up. Please confirm the version number of the instruction manual before placing an order to purchase spare parts, so as to ensure that the material number of spare parts is consistent with the physical one.

25	BL90000011520	3-color alarm light(red, yel, gre + buzzer)AC/DC24	Assembly	1
24		Filter barrel fixed frame	SPCC3.0	1
23	BL50135000020	Wire fixture fixed plate PG13.5 SG-S-01	SPCC2.0	1
22	BM30031000150	Shot tower BB-310/HP3 plate 28W/40W/50/60W/80W	Assembly	1
21		Column	Assembly	1
20		Base	SPCC3.0	1
19	YW03005000000	Foot padφ50 small	Rubber	4
18		Inlet pipe	SUS201	1
17	BY20003800300	Vacuum breaking valve S'VBV-38(VER B)	Assembly	1
16		Connecting pipe	SUS201	1
15	YR60500700100	Steel wire plastic pipe 2"IPUR9552ZH/roll	Assembly	0.5m
14	YR60000200000	Steel wire clamp 57mm	Assembly	2
13		Filter barrel base	Assembly	1
12	YR10080000000	Fastener SAL-810G-A-04(rubber)blk)*	Rubber	1
11		Filter barrel cover	SPCC12	1
10	YR10080000300	Filter barrel fastener SAL-810G-A-03*	Rubber	1
9	YW02003000400	Snap hook SAL-6U-A-35*	Assembly	3
8	YR50708000100	Filter 189x115x125 SAL-700G-A-20 Over-0*	1	1
7	YW09075100000	Small star nut 5/16 SIB-6-78KG-01-SJ Alu. alloy	1	1
6	YL22081000000	PC filter barrel SAL-810G-A-05(ver-0)blk model)*	PC	1
5	YR10243600000	Suction pipe round fastener SAL-24U/36U*	Rubber	1
4		Filter barrel suction port	SUS201	1
3	BW20002002050	Alu pipe coupler 2"	YL112	1
2		3-way pipe	SUS201	1
1		Control box assembly	Assembly	1

Title		SAL-1HP-UG122		Drawing no.		SAL-1HP-UG122		Scale		1/6 No. 1	
Dra.				Ver.				Mat.		Assembly	
Desi.				App. by				Surface req.			
Check				Date				Mat No			
App.				Date							
Mod. by				Date							
Before Mod.				Date							
After Mod.				Date							

信易電熱機股份有限公司  
Shini Plastics Technologies, Inc.

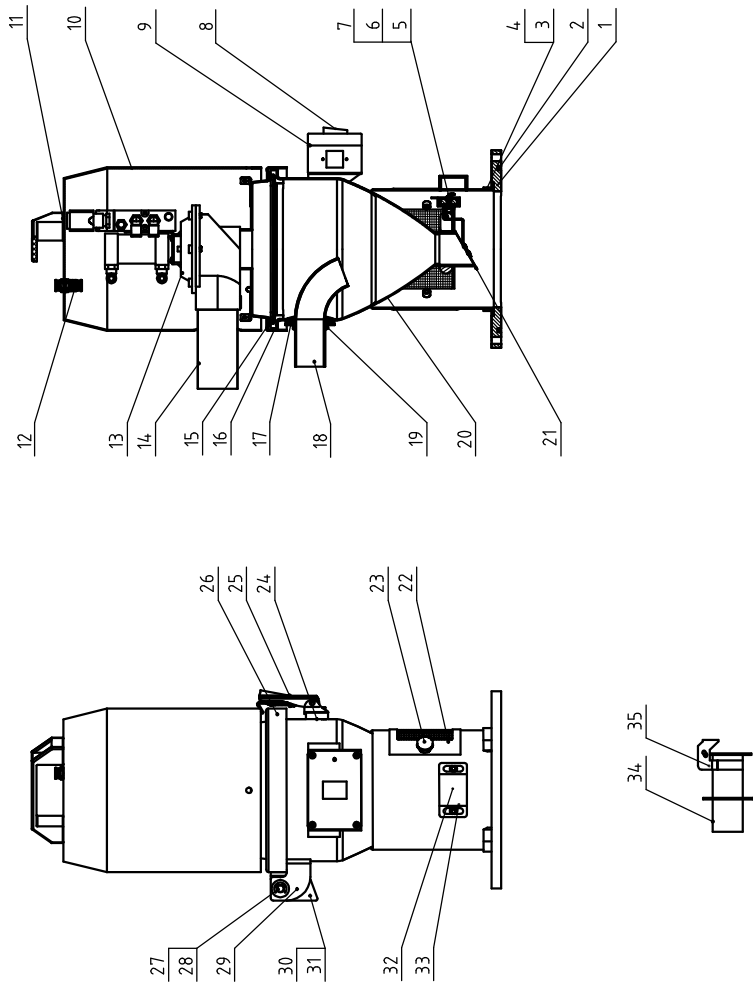


“\*” indicates the items that may be damaged; “\*\*” indicates the items that are more likely to be damaged. It is recommended to back them up. Please confirm the version number of the instruction manual before placing an order to purchase spare parts, so as to ensure that the material number of spare parts is consistent with the physical one.

13	YW80081800100	L screw connector APL8-01 1/8-φ8	Assembly	1	
12	YW80010800000	Copper muffler 1/8" (has mould)	Assembly	2	
11	YW8000618000000	Adjustable air pipe connector ASL6-1/8	Assembly	1	
10	YE31326000100	Cylinder MBL32x60U(AIRTAC)*	Assembly	1	
9	YR60000600400	PU air pipe φ6 blk 200m/roll	PU	0.3m	
8	YW8000618000200	L screw connector APL6-01 1/8-φ6	Assembly	3	
7	YE32421000300	Solenoid valve 4V210-06/DC24V *	Assembly	1	
6	BL20380500020	Solenoid valve fixed screw SVBV-38-ALL-05	SPCC2.0	1	
5	BW20380100010	Upper cover SVBV-38-ALL-01	Assembly	1	
4	YR202589000000	Rubber O type seal ring 25x98*	Rubber	1	
3	BR10651200040	4-way diaphragm 65x12x8mm covered (has mould)*	Assembly	1	
2		Hex. nut M10 x 1.25		1	With cylinder
1	BW200015000910	Upper cover SVBV-38-ALL-02 white	YL112	1	
No.	Material number	Name	Mat.	Num	Remarks

Title		SVBV-38		Drawing no.	
Vacuum Breaking Separator		SVBV-38 (for assembly drawing)		Scale 1:4	
SHINI		信易電熱機械股份有限公司 Shini Plastics Technologies, Inc.		Surface req	
Mark Before Mod		After Mod.		Mat No.	
Dra	Ver	App by		Mat Assembly	
Desi	App	by		Remarks	
Check	Date	Date			
App.	Date	Date			

SHR-3U-S assembly diagram and parts List.



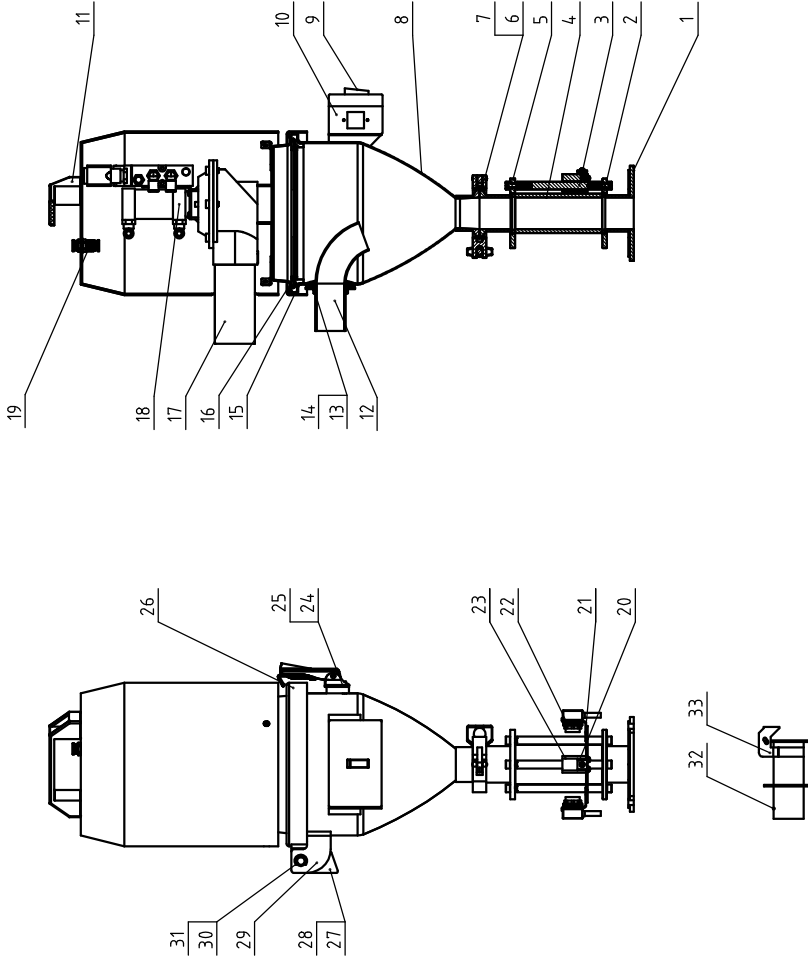
35	15" back stop	Assembly	1	Opt.
34	Inlet pipe (with back stop)	SUS201	1	Opt.
33	Sensor shell	SUS201	1	
32	Reed switch BINTY-30BLA L 40mm 2xVDC*	Assembly	1	
31	Upper hinge SAL-6U-11iver-Allicrome plate(0.08RKG)		1	
30	Non-metal insert hexagon lock nut(GB/T895.1 M5)		6	
29	Lower hinge SAL-6U-12iver-Allicrome plate(0.119 KG)		1	
28	Hinge pins SAL-6U-A-31(SUS201)		1	
27	Open check ring GB/T896 6		2	
26	Hopper cover	Assembly	1	
25	Adjustable snap hook SAL-6U-A-35x	Assembly	1	
24	Snap hook plastic pad SAL-6U(white) (has mould)	ABS	1	
23	Star handle SAL-02/16x15	Assembly	2	
22	Plastic vent window SAL-80-01(stainless steel screen, white)	Assembly	1	
21	Discharge plate ex	SUS201	1	
20	Storage hopper	Assembly	1	
19	Non-metal insert hexagon lock nut(GB/T895.1 M4)		6	
18	Inlet pipe SAL-330 for SAL-1U-A-19x	SUS201	1	
17	Inner pipe fastener SAL-1U-A-20(has mould)	Rubber	1	
16	Hopper fastener SAL-1U-E-ALL-06(frubber) x	Rubber	1	
15	Filter screen SHR-3U-E5-A-4bb.	Assembly	1	
14	Suction pipe	SUS201	1	
13	Vacuum Separator for SPDV-38(2xVDC)	Assembly	1	
12	API insulated plate direct connector APH(AITAC)	Assembly	1	
11	Square aluminum handle-120L	YL112	1	
10	Diaphragm valve cover	SPCC1.5	1	
9	Control box lower cover SHR-6U-S-A-5(01 white)	Assembly	1	
8	White alternative switch R210-CSLWAF AC220Vx	Assembly	1	
7	Magnetic sleeve SAL-1U-A-15(jel. copper cover 26)	H58	1	
6	Permanent piece Ø21xØ3x7	Per.mag	1	
5	Magnetic cover SAL-1U-A-23	SUS201	1	
4	Base fastener x	EVA2.0	1	
3	Pressing block SAL-6U-A-13 (anno)	YL112	4	
2	O-type seal ring inner dia.Ø200x5.5x	Rubber	1	
1	Base SHR-3U-A-03(processed/250-1x/has mould)	YL112	1	

No.	Material number	Name	Mat.	Num.	Remarks
SHR-3U-S		Drawing no.	Scale	1:6	No. 1
Euro Central Vacuum Hopper		(for assembly drawing)			Assembly
Mark	Before Mod.	After Mod.	Mod. by	Date	
Check	Desi.	Dra.	Ver.	App. by	Date



\*\*Indicates the items that may be damaged; "\*\*\* indicates the items that are more likely to be damaged. It is recommended to back them up. Please confirm the version number of the instruction manual before placing an order to purchase spare parts, so as to ensure that the material number of spare parts is consistent with the physical one.

SHR-3U-ES assembly diagram and parts list.



“\*” indicates the items that may be damaged; “\*\*” indicates the items that are more likely to be damaged. It is recommended to back them up. Please confirm the version number of the instruction manual before placing an order to purchase spare parts, so as to ensure that the material number of spare parts is consistent with the physical one.

No.	Material number	Name	Mat.	Num.	Remarks
33		15" Back stop	Assembly	1	Opt.
32		Inlet pipe (with back stop)	SUS201	1	Opt.
31	YW66000600000	Open check ring GB/T896 6		2	
30	BH10006003110	Hinge pins SAL-6U-A-3(SUS201)	SUS201	1	
29	BL32061200040	Lower hinge SAL-6U-12(ver. All chrome plated)(0.19 kg)	SPCC3.0	1	
28	YW64000500000	Non-metal insert hexagon lock nut GB/T899.1H5		6	
27	BL32061100040	Upper hinge SAL-6U-11(ver. All chrome plated)(0.088kg)	SPCC3.0	1	
26		Hopper cover	Assembly	1	
25	YR400006000800	Snap hook plastic pads SAL-6U(white/has mould)	ABS	1	
24	YW020003000400	Snap hook SAL-6U-A-35*	Assembly	1	
23	BL90001000120	Photo sensor fixed piece base SAL-6U-ALL-100(accessible/has mould)	YL112	1	
22	YE15183000900	Photo sensor switch TR-3MB-PE-4V-5V 10TEN*	Assembly	1	**
21		Photosensor fixed piece	SUS201	1	
20	YW31616200000	Photosensor pressing block SVH-6L-ALL-11 (YSUS201/has mould)	SUS201	1	
19	YW800008001500	Photo sensor cable wire connector APMB1ACT AGI	Assembly	1	
18	BY20382400050	Vacuum Separator SPDV-38024VDC	Assembly	1	
17		Suction pipe	SUS201	1	
16	BL21000300520	Filter screen SHR-3U-ES-A-08*	Assembly	1	
15	YR100015000000	Hopper fastener SAL-1U-E-ALL-06(1/6)berh*		1	
14	YR101503000000	Inlet pipe fastener SAL-1U-A-20(1/4)has mould	Rubber	1	
13	YW64040700100	Non-metal insert hexagon lock nut GB/T899.1H4		6	
12	BL32333600020	Inlet pipe SAL-330 for SAL-1U-A-19*	SUS201	1	
11	BW20012000040	Square aluminum handle 120L	YL112	1	
10	BH90615000010	Control box lower cover SHR-6U-S-A-15/01 white	Assembly	1	
9	YE102104000000	White alternative switch R210-55(BVAP AC220V)*	Assembly	1	
8		Storage hopper	Assembly	1	
7	YW070002000000	2" Stainless steel clamp	SUS201	1	
6	YR100003000200	Base fastener*	Rubber	1	
5	BW32000300210	Glass pipe upper hinge SVH-3L-A-18(accessible/has mould)	SUS304	1	
4	YW705040000000	Glass pipe SVH-3L-A-06(φ50.5×φ4.05×11)	Glass	1	
3	BH1030400510	Flange connecting rod SHR-3U-ES-A-04(mechanical)	0.235A	3	
2	YR100003000000	Glass pipe fastener 3L x	Silical gel	2	
1	BW32000300010	Glass pipe lower flange SVH-3L-A-04(has mould)	SUS304	1	

Title		Drawing no.		Scale	
SHR-3U-ES		SHR-3U-ES		1:6	
Euro Central Vacuum Hopper		(for assembly drawing)			
Mark		Before Mod.	After Mod.	Date	App.
Check					
Desi.					
Dra.					
Ver.					
App. by					
Date					
Mat. No.		Surface req.		Mat.	
				Assembly	



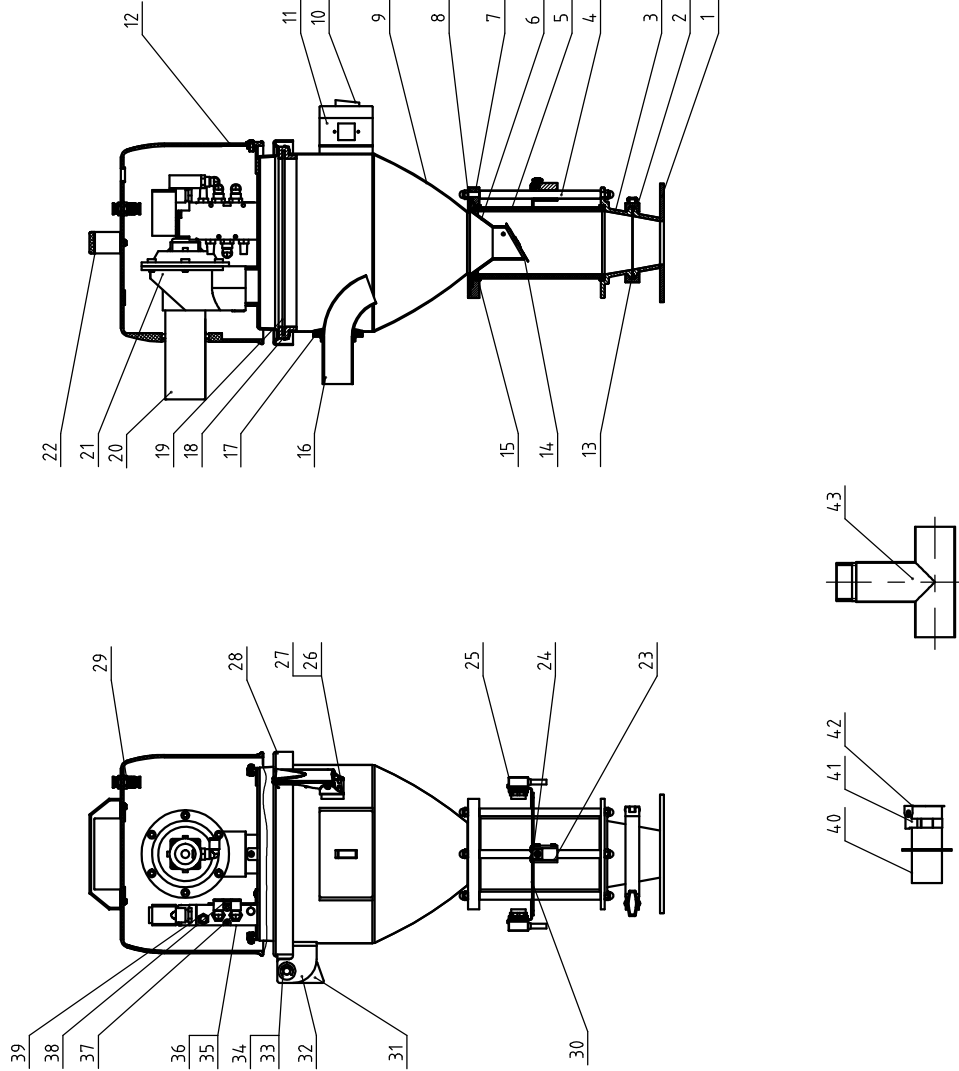








SHR-6U-ES assembly diagram and parts List.



43	2" 3 way suction pipe	SUS201	1	Opt.
42	15" back stop non-return piece	SUS201	1	Opt.
41	15" back stop	Assembly	1	Opt.
40	Inlet pipe (with back stop)	SUS201	1	Opt.
39	Copper silencer $\frac{3}{4}$ "	Assembly	2	
38	L-type screw connector APB-01/1/8-98(AirTAC)	Assembly	1	
37	L-type screw connector APE-01/1/8-96(AirTAC)	Assembly	3	
36	Solenoid valve AVZ10-06/DZ4(AirTAC)	Assembly	1	
35	Solenoid valve fixed piece SHR-6U-ES-A-18	SUS201	1	
34	Open ring GB/T896 6		2	
33	Hinge pin SAL-6U-AA-3(SUS201)	SUS201	1	
32	Lower hinge SAL-6U-12(ver. All bronze plated 0.19 kg)	SPPCC3 0	1	
31	Upper hinge SAL-6U-11(ver. All bronze plated 0.088kg)	SPPCC3 0	1	
30	Photo sensor fixed piece	SUS201	1	
29	APM insulated plate direct connector APH8(AirTAC)	Assembly	1	
28	Hopper cover	Assembly	1	
27	Adjustable snap hook SAL-6U-A-35*	Assembly	2	
26	Snap hook plastic washer SAL-6U*	ABS	2	
25	Photo sensor switch T18-3MRB-PE-AM-56(FOTEK)*	Assembly	1 pair	
24	Photo sensor housing SVH-6U-ALL-ver.01(SUS201has mold)	SUS201	1	
23	Photo sensor fastener SVH-6U-ALL-ver.01(SUS201has mold)	YL112	1	
22	Square aluminum handle 120(L)66 hole blk	YL112	1	
21	Diaphragm valve 1.5"(24 VDC)	Assembly	1	
20	Suction pipe	SUS201	1	
19	Filter screen SHR-6U-A-06*	SUS201	1	
18	Hopper fastener SAL-3U-09(ver. All has mold)*	Rubber	1	
17	Suction pipe mount fastener SAL-6U/12U(has mold)*	Rubber	1	
16	Inlet pipe SAL-360 for SAL-6U-A-14*	SUS201	1	
15	Glass pipe fastener SVH-6L-ALL-06*	Silical get	2	
14	Non-return piece SVH-6L-ALL-09(SUS201)ver.A*	SUS201	1	
13	Rubber O-type seal ring 80(liner dia.)x2.65*	Rubber	1	
12	Plastic motor cover SHR-6U-S/A-15/11 white*	ABS	1	
11	Centre box lower cover SHR-6U-S/ES white (has mold) (process)	MBS	1	
10	White alternative switch R210-CLBWP AC220V*	Assembly	1	
9	Storage hopper	SUS304	1	
8	Rubber O-type seal ring 98(liner dia.)x2.5*	Rubber	1	
7	Glass pipe lower flange SVH-6U-ALL-01 ver. 01V120(has mold) (old)	YL112	1	
6	Discharge port SVH-6U-ALL-01 ver. All process (has mold)	Assembly	1	
5	Glass pipe 690-x-680-x-57(SVH-6U-ALL-12)ver.0*	Glass	1	
4	Flange connecting rod SVH-6L-ALL-19(QZ35A)ver.0	QZ35A	3	
3	Glass pipe lower flange SVH-6U-ALL-02 V1(V12) (old)	YL112	1	
2	Stainless steel pipe clamp 3"	SUS304	1	
1	Mount flange SVH-6L-ALL-01(YL112)has mold ver.D	YL112	1	

No.	Material number	Name	Mat.	Num.	Remarks
Title SHR-6U-ES Drawing no. SHR-6U-ES Scale 1:6 No. 1					
Central Photosensor Hopper Receiver (for assembly drawing) Mat. Assembly					
Surface req.					
Mat. No.					



信昌玻璃技术股份有限公司  
SHINI Standard Plasstics Technologies, Inc.

"\*"Indicates the items that may be damaged, "\*\*\*" indicates the items that are more likely to be damaged. It is recommended to back them up.  
Please confirm the version number of the instruction manual before placing an order to purchase spare parts, so as to ensure that the material number of spare parts is consistent with the physical one.

Dra.	Ver.	App. by	Date
Desi.			
Check			
App.			
Mod. by	Date	After Mod.	Mod. by
Before Mod.			

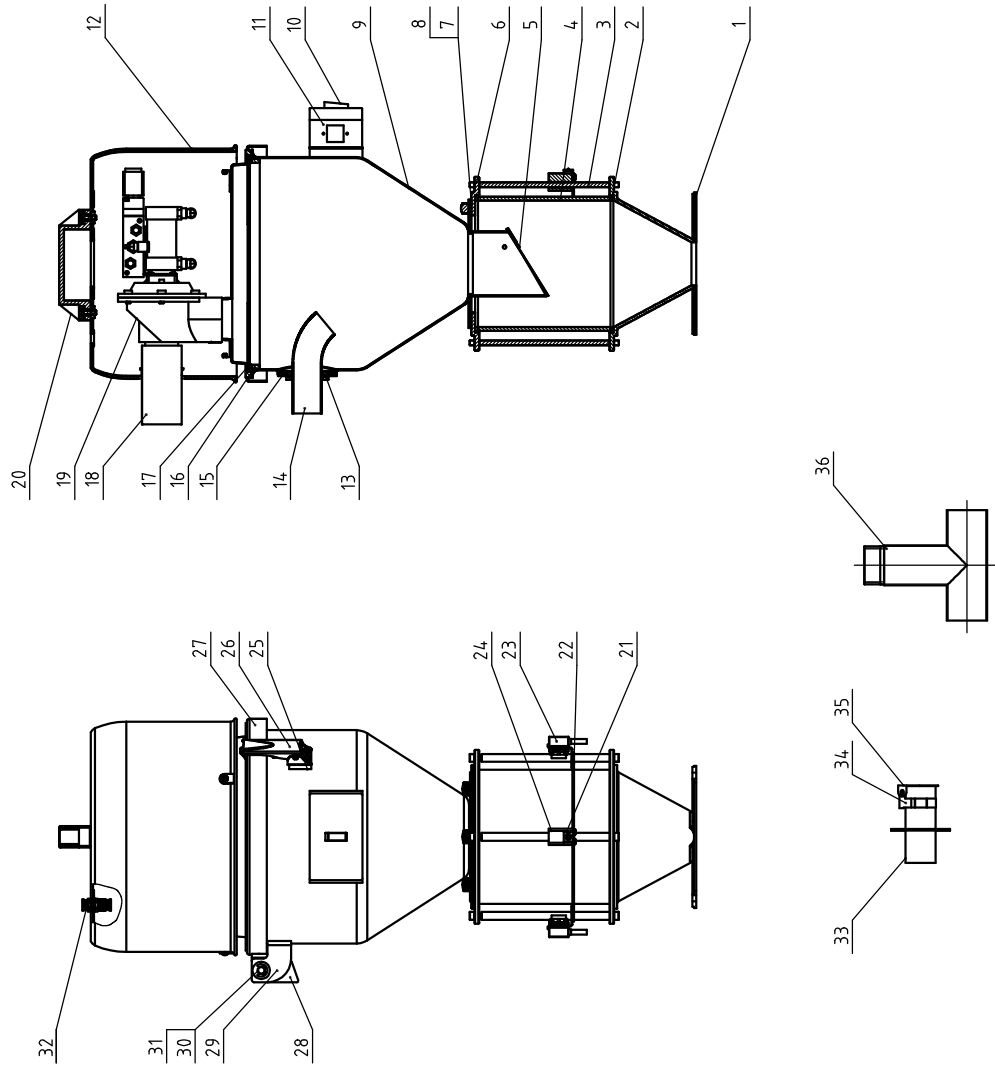








SHR-12U-ES assembly diagram and parts List.

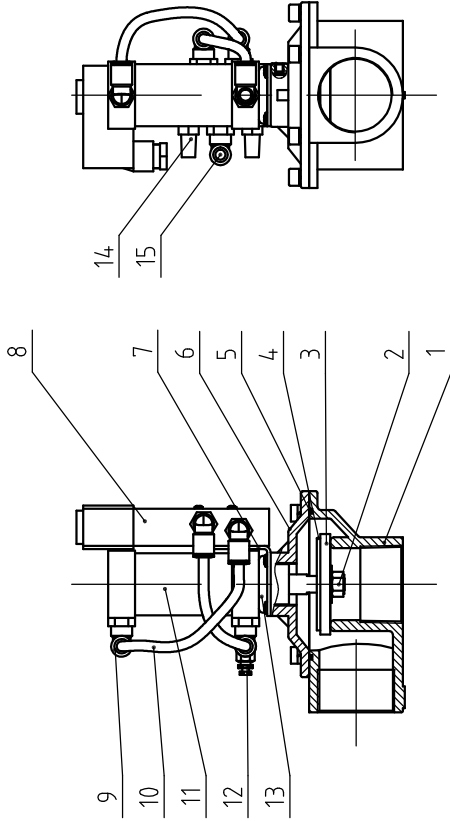


“\*”Indicates the items that may be damaged; “\*\*” indicates the items that are more likely to be damaged. It is recommended to back them up.  
Please confirm the version number of the instruction manual before placing an order to purchase spare parts, so as to ensure that the material number of spare parts is consistent with the physical one.

No.	Material number	Name	Mat.	Num.	Remarks
36		2"3 way suction pipe	SUS201	1	Opt.
35		15" back stop non-return piece	SUS201	1	Opt.
34		15" back stop	Assembly	1	Opt.
33		Inlet pipe (with back stop)	Assembly	1	Opt.
32	YW80000801500	APM insulated plate direct connector APH8(A/T/K)	Assembly	1	
31	YW66000600000	Open ring GB/T896.6		2	
30	BH10006003110	Flange pin SAL-6U-A-31(SUS201)	SUS201	1	
29	BL32061200040	Lower flange SAL-6U-12(Ver-ALchromell019 KG)	SPCC30	1	
28	BL32061100040	Upper flange SAL-6U-11(Ver-ALchromell0088KG)	SPCC30	1	
27		Hopper cover	Assembly	1	
26	YW02003000400	Snap hook SAL-6U-A-35*	Assembly	2	
25	YR40000600800	Snap hook plastic washer SAL-6U*	ABS	2	
24	BL90001000120	Photosensor fixed base SVH-6I-ALL-10(pressureless)112	112	1	
23	YE15183000900	Photosensor switch T8-3MB-PE-4H-50 (FOTEK)	Assembly	1 pair	
22	BL21001200120	Photosensor fixed piece SVH-12L-A-01	SUS201	1	
21	YW31616200000	Photosensor pressing block SVH-6I-ALL-11(ver:01)108mm	SUS201	1	
20	BW20012000040	Square aluminum handle 120(L)M6 hole 1blk	YL112	1	
19	BY20382400050	Vacuum separating valve SPDV-38(24VDC)	Assembly	1	
18		Suction pipe	SUS201	1	
17	BL21001200320	Filter screen SHR-12U-A-05*	SUS201	1	
16	YR10000600200	Hopper fastener SAL-6U(has mould)*	Rubber	1	
15	YR100061200000	Suction pipe round fastener SAL-6U/12U(has mould)*	Rubber	1	
14	BL32000600020	Inlet pipe SAL-360 for SAL-6U-A-14*	Assembly	1	
13	YW64040700100	Non-metal insert hex lock nutGB/T889.1M4		8	
12	BR40001200110	Water cover SHR-12U-S-A-11(ver:B)11(has mould)*	ABS	1	
11	BH90615000010	Control bar lower cover SHR-6U-S-A-15/01 white	ABS	1	
10	YE10210400000	White alternative switch R210-CSLBWAP*	Assembly	1	
9		Storage hopper	SUS304	1	
8	YW69621600000	Manual twist screw M6×20×16		3	
7	BL90052003210	Vent flange SVH-12L-A-11	SUS201	1	
6	BW32001200110	Gas pipe upper flange SVH-12L-A-07(has mould)	SUS202	1	
5	BL21001200520	Non-return piece SVH-12L-A-08*	SUS201	1	
4	YW70101700000	Glass pipe φ170×φ160×170*	Glass	1	
3	BH10101600110	Flange connecting rod φ16×16(SVH-12L-A-06)	Q235A	4	
2	YR100001200100	Glass pipe fastener SVH-12L-A-04*	Silica gel	2	
1	BL21000610710	Glass pipe lower flange SVH-12L-A-10(has mould)	SUS202	1	

Title		SHR-12U-ES		Drawing no.		SHR-12U-ES		Scale		1/6		No.		1	
Dra.				Desi.				Check				Mod. by		Date	
App.				Ver.				App. by				Mod. by		Date	
Mark		Before Mod.		After Mod.		Date		App.				Mod. by		Date	
Surf. req.				Mat.		Assembly		Mat.		Assembly		Mat.		Assembly	
Surf. req.				Mat.		Assembly		Mat.		Assembly		Mat.		Assembly	



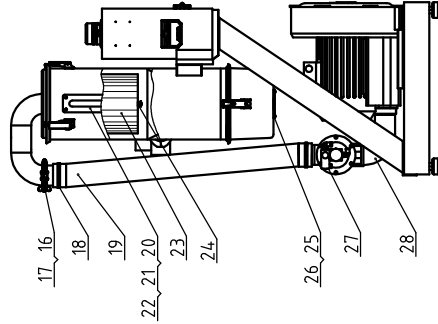
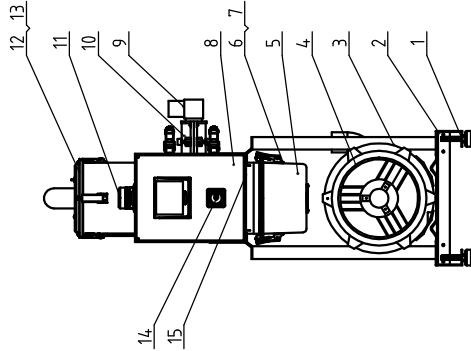


“\*”Indicates the items that may be damaged; “\*\*” indicates the items that are more likely to be damaged.  
 It is recommended to back them up.  
 Please confirm the version number of the instruction manual before placing an order to purchase spare parts, so as to ensure that the material number of spare parts is consistent with the physical one.

15	YW80081800100	L screw connector APL8-01 1/8-ø8(AirTAC)	Assembly	1	
14	YW80010800000	Copper muffler 1/8"(has mould)	Assembly	3	
13	YR20305000000	O rubber seal ring $\phi 30 \times \phi 5^*$	Rubber	1	
12	YW80061800000	Adjustable air pipe connector ASL6-1/8	Assembly	1	
11	YE31322000100	Non-standard cylinder MBL32x20U-JX826B(AirTAC)*	Assembly	1	
10	YR60000600400	PU air pipe $\phi 6 \times \phi 4$ blk 200m/roll	PU	0.3M	
9	YW80061800200	L screw connector APL6-01 1/8-ø6(AirTAC)	Assembly	3	
8	YE32421000300	Solenoid valve 4V210-06/DC24V(AirTAC)*	Assembly	1	
7	BL20380500020	Solenoid valve fixed piece SPDV-38-ALL-05	SPCC2.0	1	
6	BW20001500810	Upper cover SPDV-38-ALL-01 white	YL112	1	
5	YR20258900000	O type seal ring $\phi 89 \times \phi 2.5^*$	Rubber	1	
4	BL90558200040	Diaphragm washer 4.6x8.2x2 SPDV-38-ALL-04	SPCC2.0	1	
3	BR10608500040	Diaphragm 60x8.2x5.6(SPDV-38-ALL-03)(rubber)*	Assembly	1	
2	YW64000800100	Non-metal insert hexagon lock nut M8		1	
1	BW20001500910	Lower cover SPDV-38-ALL-02 white	YL112	1	
No.	Material number	Name	Mat.	Num	Remarks
Title SPDV-38		Drawing no.	Scale 1:4	Num. 1	
Vacuum Separator		SPDV-38(for assembly drawings)		Mat Assembly	
		信易电热机械股份有限公司 Shini Plastics Technologies, Inc.	Surface req		
			Mat No		

Mark	Before	Mod.	After	Mod.	Mod.	by	Date

SAL-5HP-UG122 assembly diagram and parts List.

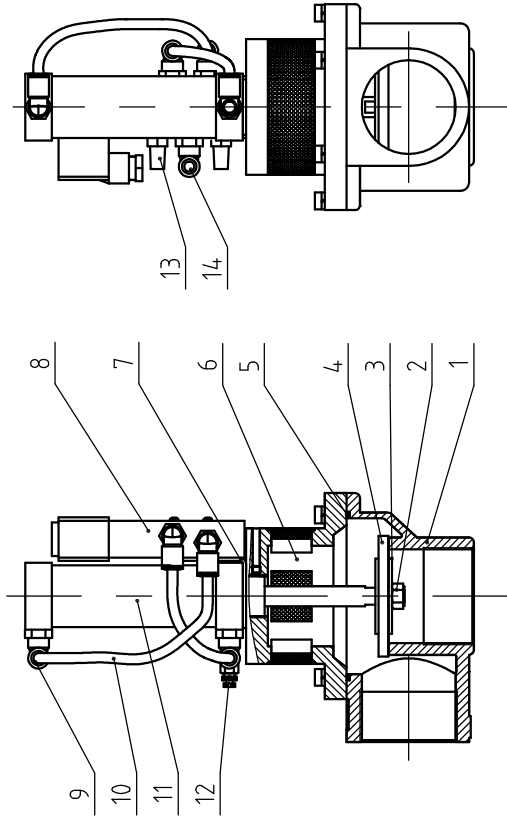


28	Inlet air pipe	SUS201	1
27	Vacuum breaking valve SVBV-50(VERB)	Assembly	1
26	Suction pipe round fastener SAL-24U/36U*	Rubber	1
25	PC filter barrel fender	SUS201	1
24	Butterfly cap nut 5/16"	Q235	1
23	FilterADC2 ext. 188* inner 114* H 302*	Assembly	1
22	Sight glass iron sheet 6 hole elec. plated	SPCC2.0	1
21	Sight glass iron sheet 6 hole(SHD-12-A-25)1*	Rubber	1
20	Acrylic 6 hole (SHD-12-A-26) *	PC	1
19	Steel wire plastic pipe *	Assembly	1m
18	Stainless steel pipe clamp 3"	SUS201	2
17	Stainless steel stamping clamp ring2.5"	Stical gel	1
16	Stainless steel stamping clamp 2.5"	Assembly	1
15	Wire clamp fixed plate PG13.5 SG-S-01 (has mould)	SPCC2.0	1
14	Main power switch TO-2-1(EA/SVB/20A(EATD))	Assembly	1
13	Filter barrel fastener SAL-810G-A-03 (ver.0) rubber**	Rubber	2
12	Filter barrel cover assembly	Assembly	1
11	3-color alarm light(red, yel. gre.+ buzzer)AC/DC24	Assembly	1
10	Alu pipe coupler 2"	Assembly	1
9	3-way pipe	SUS201	1
8	Central box assembly	Assembly	1
7	Open flat round head blind rivet GB/T12618 4x6	10	10
6	Adjustable snap hook SAL-6U-A-35*	Assembly	5
5	PC filter barrel SAL-810G-A-05(ver.0)(has mould)*	PC	1
4	Shini blower RB-550/5HP3 phase 230V/400V/50/60HZ 3HP*	Assembly	1
3	Column	Assembly	1
2	Base	SPCC3.0	1
1	Rubber for shock absorbers Ø50	Material Number	4

\*\* "Indicates the items that may be damaged; "\*\*\*" indicates the items that are more likely to be damaged. It is recommended to back them up. Please confirm the version number of the instruction manual before placing an order to purchase spare parts, so as to ensure that the material number of spare parts is consistent with the physical one.

No.	Material number	Name	Material Number	Remarks
Title SAL-5HP-UG122		Drawing no. SAL-5HP-UG122		Proportion 1:15
"One-to-Two" Separate Hopper Loader		(for assembly drawing)		Number 1
Drawer	Designer	Version	Approved by	Material
Proofread by	Checked by	Modify date	Modify date	Surface requirement
Mark After modification	Before modification	Modified by	Modified by	Material number





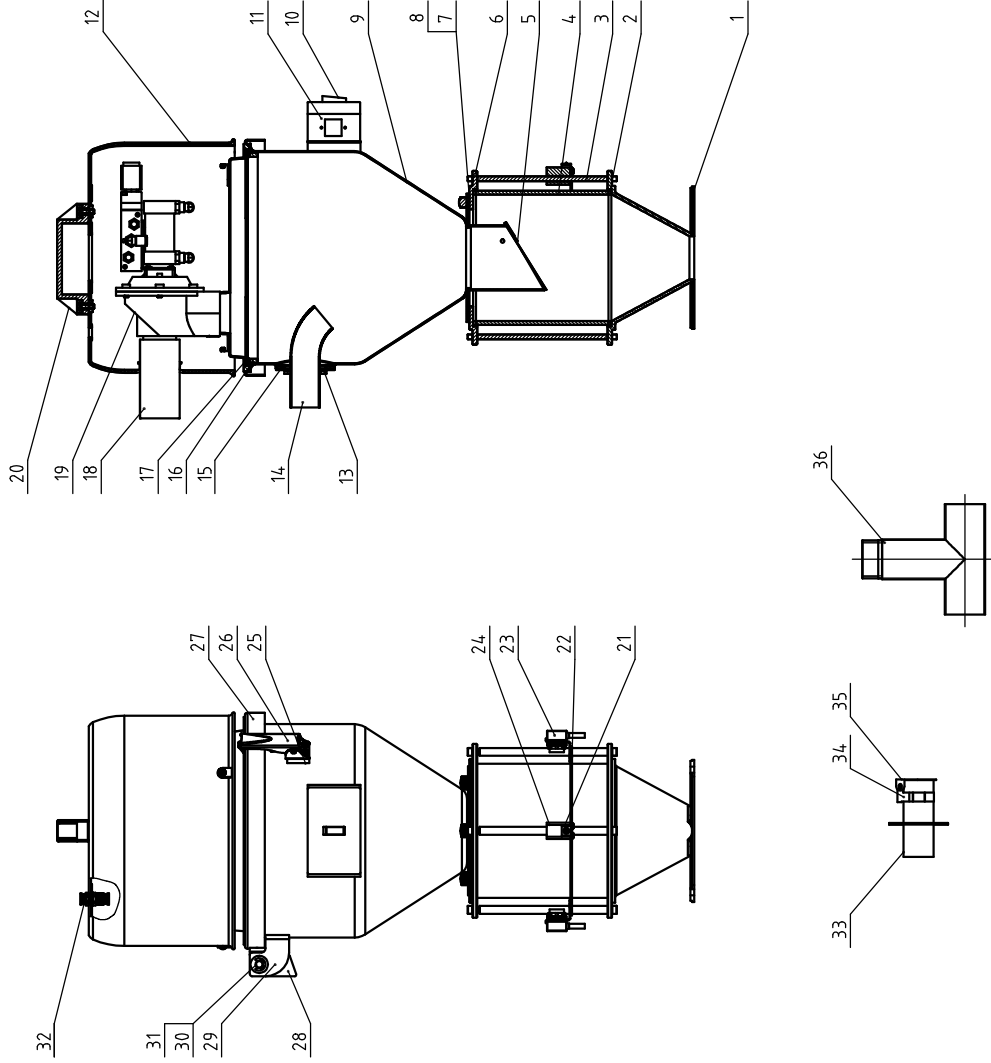
“\*”Indicates the items that may be damaged; “\*\*” indicates the items that are more likely to be damaged. It is recommended to back them up. Please confirm the version number of the instruction manual before placing an order to purchase spare parts, so as to ensure that the material number of spare parts is consistent with the physical one.

14	YW80081800100	L screw connector APL8-01 1/8-φ8	Assembly	1	
13	YW80010800000	Copper muffler 1/8"(has mould)	Assembly	2	
12	YW80061800000	Adjustable air pipe connector ASL6-1/8	Assembly	1	
11	YE31326000100	Cylinder MBL 32x60(AIRTAC)*	Assembly	1	
10	YR60000600400	PU air pipe φ6 blk 200m/roll	PU	0.3m	
9	YW80061800200	L screw connector APL6-01 1/8-φ6	Assembly	3	
8	YE32421000300	Solenoid valve 4V210-06/DC24V *	Assembly	1	
7	BL20380500020	Solenoid valve fixed screw SVBV-38-ALL-05	SPCC2.0	1	
6	BW20500100070	Upper cover SVBV-50-ALL-01	Assembly	1	
5	YR20259800000	Rubber O type seal ring 2.5x98*	Rubber	1	
4	BR10651200040	4-way diaphragm 65x12x8mm covered (has mould)*	Assembly	1	
3	BL90201870020	Washer SPDV-63-A-03(SUS201)		2	
2		Hex. nut M10 x 1.25		1	With cylinder
1	BW20001501210	Upper cover SVBV-50-ALL-02 white	ZL101	1	
No.	Material number	Name	Mat.	Num	Remarks
Title SVBV-50		Drawing no.	Scale	1:4	No. 1
Vacuum Breaking Separator		SVBV-50(for assembly drawing)			Mat Assembly
		信易電熱機械股份有限公司 Shini Plastics Technologies, Inc.	Surface req		
		<b>SHINI</b>	Mat No.		

Mark	Before Mod.	After Mod.	Mod. by	Date
			App	Date
			by	Date
			Ver	Date



SHR-12U-ES assembly diagram and parts List.

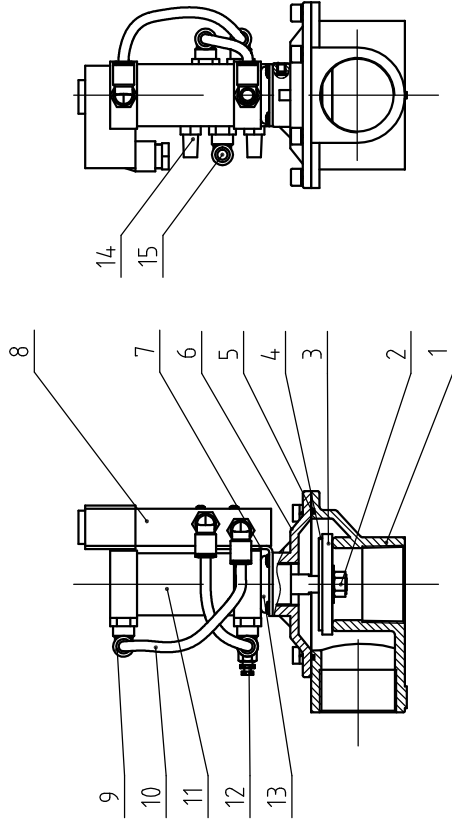


"\*" indicates the items that may be damaged; "\*" indicates the items that are more likely to be damaged. It is recommended to back them up. Please confirm the version number of the instruction manual before placing an order to purchase spare parts, so as to ensure that the material number of spare parts is consistent with the physical one.

No.	Material number	Name	Mat.	Num.	Remarks
36		2" 3 way suction pipe	SUS201	1	Opt.
35		15" back stop non-return piece	SUS201	1	Opt.
34		15" back stop	Assembly	1	Opt.
33		Inlet pipe (with back stop)	Assembly	1	Opt.
32	YW80000801500	APH insulated plate direct connector APH8(A+T)Q	Assembly	1	
31	YW66000600000	Open ring GB/T896.6		2	
30	BH10006003110	Flange pin SAL-6U-A-3(SUS201)	SUS201	1	
29	BL32061200040	Lower flange SAL-6U-12(ver. AlChromel)(019 KG)	SPCC30	1	
28	BL32061100040	Upper flange SAL-6U-11(ver. AlChromel)(088KG)	SPCC30	1	
27		Hopper cover	Assembly	1	
26	YW02003000400	Snap hook SAL-6U-A-3*	Assembly	2	
25	YR40006008000	Snap hook plastic washer SAL-6U*	ABS	2	
24	BL90001000120	Photoresistor fixed base SVH-6L-ALL-10(pressureless)	112	1	
23	YE15183000900	Photoresistor switch T18-3MB-PE-4M-5p (FOFEX)	Assembly	1 pair	
22	BL21001200120	Photoresistor fixed piece SVH-12L-A-01	SUS201	1	
21	YW31616200000	Photoresistor protective base SVH-6L-ALL-11(ver. SUS201)(has mold)	SUS201	1	
20	BW20012000040	Square aluminum handle 120L(M6 hole)BK	YL112	1	
19	BY20382400050	Vacuum separating valve SPDV-38(24VDC)	Assembly	1	
18		Suction pipe	SUS201	1	
17	BL21001200320	Filter screen SHR-12U-A-05*	SUS201	1	
16	YR10000600200	Hopper fastener SAL-6U(has mold)*	Rubber	1	
15	YR1000612000000	Suction pipe round fastener SAL-6U/12U(has mold)*	Rubber	1	
14	BL32000600020	Inlet pipe SAL-360 for SAL-6U-A-14*	Assembly	1	
13	YW64040700100	Non-metal insert hex. lock nut/GB/T889.1M4	ABS	8	
12	BR40001200110	Motor cover SHR-6U-S-A-11(ver. B)(has mold)*	ABS	1	
11	BH90615000010	Central box cover SHR-6U-S-A-15/01 white	ABS	1	
10	YE10210400000	White alternative switch R210-45L(BW4P)*	Assembly	1	
9		Storage hopper	SUS304	1	
8	YW696216000000	Manual twist screw M6x20x16		3	
7	BL90052003210	Vent flange SVH-12L-A-11	SUS201	1	
6	BW32001200110	Glass pipe upper flange SVH-12L-A-07(has mold)	SUS202	1	
5	BL21001200520	Non-return piece SVH-12L-A-08*	SUS201	1	
4	YW70171000000	Glass pipe φ17.0×φ16.0×170*	Glass	1	
3	BH10101600110	Flange connecting rod φ10×163(SVH-12L-A-06)	Q235A	4	
2	YR10001200100	Glass pipe fastener SVH-12L-A-04*	Silical gel	2	
1	BL21000610710	Glass pipe lower flange SVH-12L-A-10(has mold)	SUS202	1	

Title		Drawing no.		Scale		1/6		No.		1	
SHR-12U-ES		SHR-12U-ES		Scale		1/6		No.		1	
Central Vacuum Hopper		(for assembly drawing)									
Dra.		Ver.		App. by		Date		Mod. by		Date	
Desi.		Check		App.		Date		Before Mod.		After Mod.	
Mark		Before Mod.		After Mod.		Date		Mod. by		Date	
Surface req.		Mat.		No.		1		Mat.		Assembly	
Surf. req.		Mat.		No.		1		Mat.		Assembly	





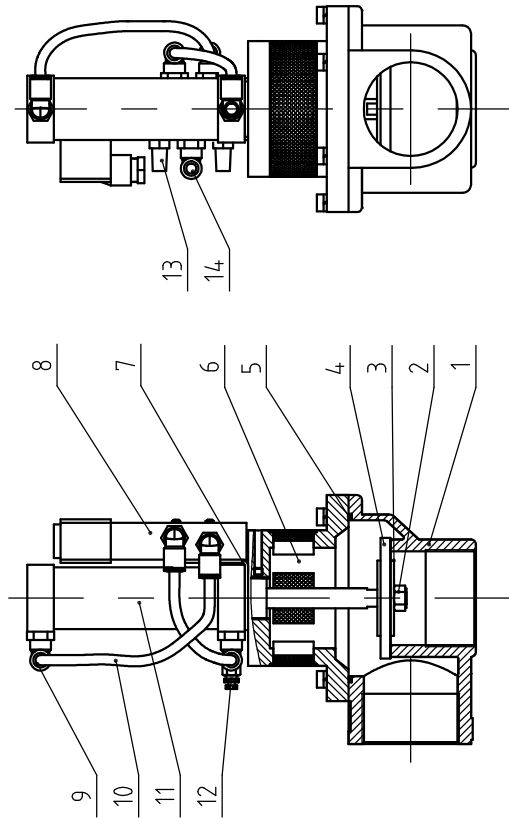
“\*” indicates the items that may be damaged; “\* \*” indicates the items that are more likely to be damaged. It is recommended to back them up. Please confirm the version number of the instruction manual before placing an order to purchase spare parts, so as to ensure that the material number of spare parts is consistent with the physical one.

15	YW80081800100	L screw connector APL8-01 1/8-φ8(AirTAC)	Assembly	1	
14	YW80010800000	Copper muffler 1/8"(has mould)	Assembly	3	
13	YR20305000000	O rubber seal ring φ30×φ5*	Rubber	1	
12	YW800061800000	Adjustable air pipe connector ASL6-1/8	Assembly	1	
11	YE31322000100	Non-standard cylinder MBL32×20U-JX826B(AirTAC)*	Assembly	1	
10	YR6000006004.00	PU air pipe φ6×φ4, blk 200m/roll	PU	0.3M	
9	YW8000618000200	L screw connector APL6-01 1/8-φ6(AirTAC)	Assembly	3	
8	YE324.21000300	Solenoid valve 4V210-06/DC24V(AirTAC)*	Assembly	1	
7	BL203805000020	Solenoid valve fixed piece SPDV-38-ALL-05	SPCC2.0	1	
6	BW200015000810	Upper cover SPDV-38-ALL-01 white	YL112	1	
5	YR202589000000	O type seal ring φ89×φ2.5*	Rubber	1	
4	BL9055820004.0	Diaphragm washer 46.8×2.2 SPDV-38-ALL-04	SPCC2.0	1	
3	BR1060850004.0	Diaphragm 60×8.2×5.6(SPDV-38-ALL-03)(rubber)*	Assembly	1	
2	YW64000800100	Non-metal insert hexagon lock nut M8		1	
1	BW200015000910	Lower cover SPDV-38-ALL-02 white	YL112	1	
No.	Material number	Name	Mat.	Num	Remarks
Title SPDV-38		Drawing no.	Scale 1:4	Num. 1	
Vacuum Separator		SPDV-38(for assembly drawings)		Mat	Assembly
			Surface req		
		信易熱機機股份有限公司 Shini Plastics Technologies, Inc.	Mat No		

Mark	Before Mod.	After Mod.	Mod. by	Date
			App	Date
			by	
			Ver	



Attached: SVBV-50 assembly diagram and parts List(BY20005000300).



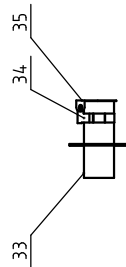
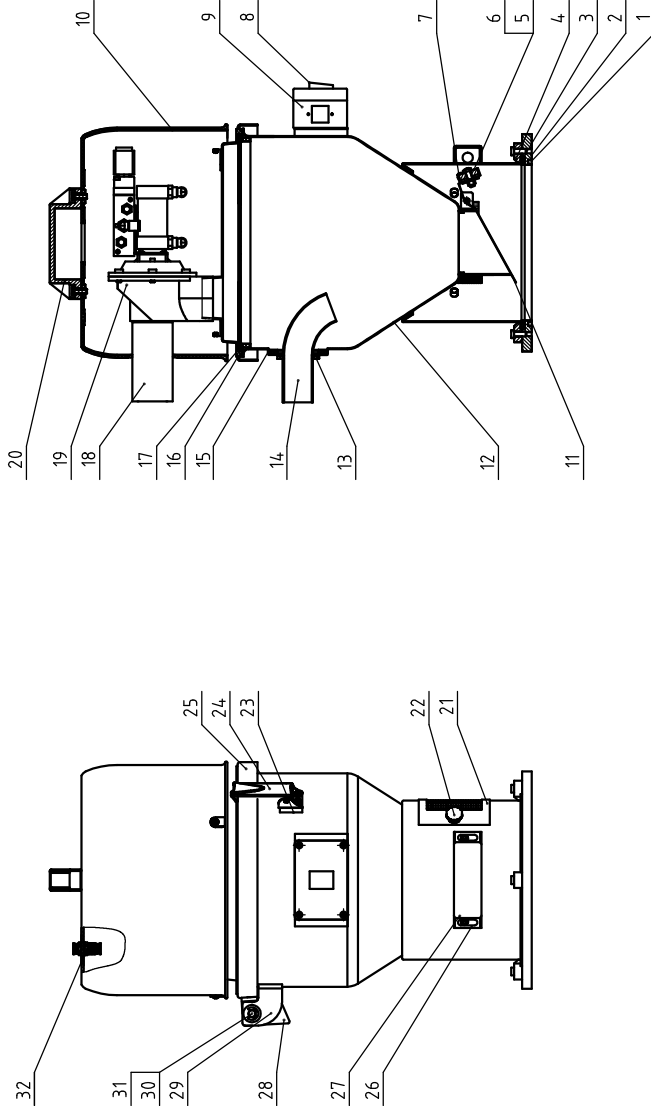
“\*”Indicates the items that may be damaged; “\*\*” indicates the items that are more likely to be damaged. It is recommended to back them up. Please confirm the version number of the instruction manual before placing an order to purchase spare parts, so as to ensure that the material number of spare parts is consistent with the physical one.

14	YW80081800100	L screw connector APL8-01 1/8-φ8(AirTAC)	Assembly	1	
13	YW80010800000	Copper muffler 1/8"(has mould)	Assembly	2	
12	YW80061800000	Adjustable air pipe connector ASL6-1/8	Assembly	1	
11	YE31326000100	Cylinder MBL32x600 (AirTAC) *	Assembly	1	
10	YR60000600400	PU air pipe φ6 blk 200m/roll	PU	0.3m	
9	YW80061800200	L screw connector APL6-01 1/8-φ6	Assembly	3	
8	YE32421000300	Solenoid valve 4V210-06/DC24V *	Assembly	1	
7	BL20380500020	Solenoid valve fixed screw SVBV-38-ALL-05	SPCC2.0	1	
6	BW20500100010	Upper cover SVBV-50-ALL-01	Assembly	1	
5	YR20259800000	Rubber O type seal ring 25x98*	Rubber	1	
4	BR10651200040	4-way diaphragm 65x12x8mm covered (has mould)*	Assembly	1	
3	BL90201870020	Washer SPDV-63-A-03(SUS201)		2	
2		Hex. nut M10 x 1.25		1	With cylinder
1	BW20001501210	Upper cover SVBV-50-ALL-02 white	ZL101	1	
No.	Material number	Name	Mat.	Num	Remarks

Title		Drawing no.		Scale		1:4		No.		1	
SVBV-50		SVBV-50(for assembly drawing)		1:4		Mat		Mat		Assembly	
Vacuum Breaking Separator				Surface req							
				Mat No							
Mark		Before Mod.		After Mod.		Mod. by		Date			
		Dra		Ver							
		Desi		App							
		Check		by							
		App.		Date							



SHR-12U-S assembly diagram and parts List.



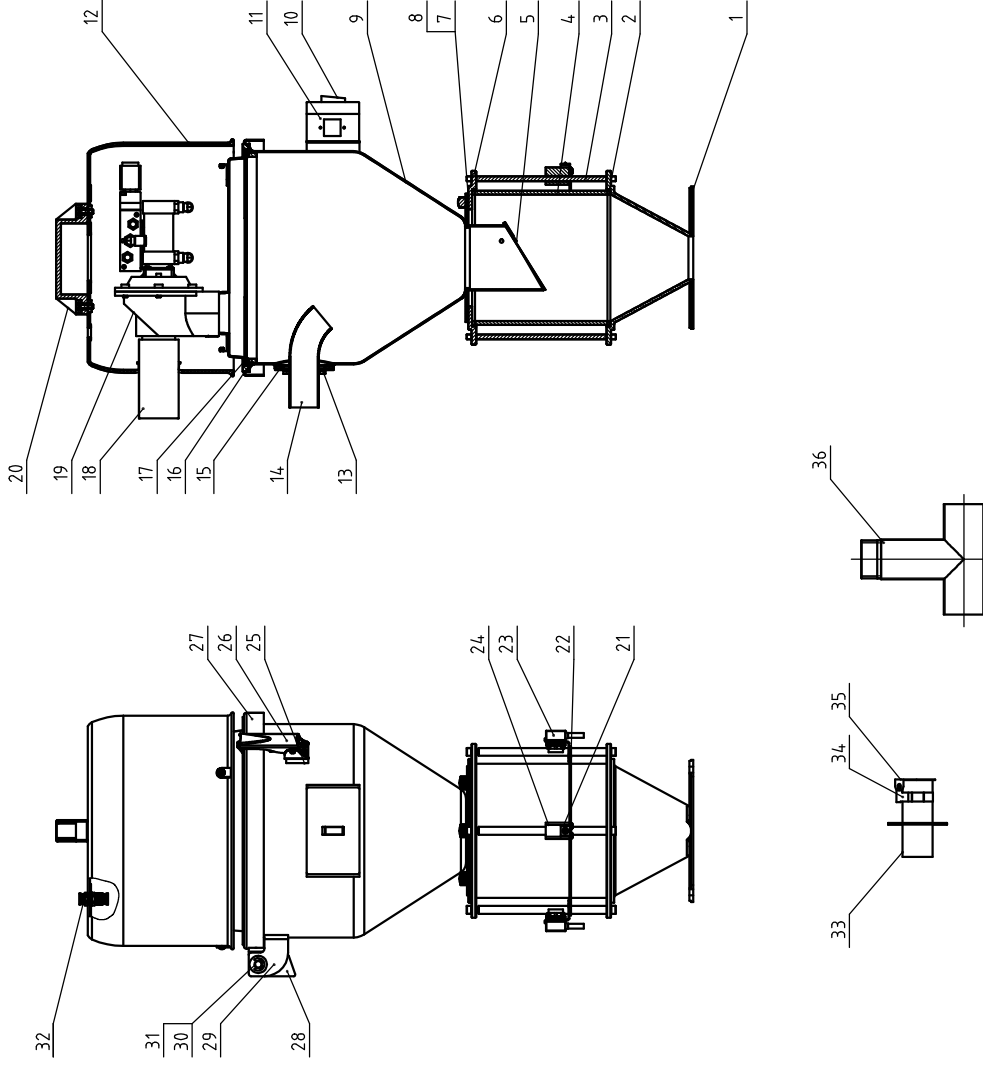
“\*” indicates the items that may be damaged; “\*\*” indicates the items that are more likely to be damaged. It is recommended to back them up. Please confirm the version number of the instruction manual before placing an order to purchase spare parts, so as to ensure that the material number of spare parts is consistent with the physical one.

No.	Material number	Name	Mat.	Num.	Remarks
35		15" back stop non-return piece	SUS201	1	Opt.
34		15" back stop	Assembly	1	Opt.
33		Inlet pipe (with back stop)	Assembly	1	Opt.
32	YW80000801500	API insulated plate direct connector APH(AI+TAC)	Assembly	1	
31	YW66000600000	Open ring GB/T896-6	65Mn	2	
30	BH100060003110	Flange pin SAL-6U-A-31(SUS201)	SUS201	1	
29	BL320612000040	Lower hinge SAL-6U-11(ver. Allionene panel)(0.19 kg)	SPCC3.0	1	
28	BL320611000040	Upper hinge SAL-6U-11(ver. Allionene panel)(0.088kg)	SPCC3.0	1	
27	YE15123000000	Reed switch BMT2-30BLA L 80mm 24V*	Assembly	1	
26	YR40000601100	Sensor shell SAL-6U-03(plastic, white)(has cover)	ABS	1	
25		Hopper cover	Assembly	1	
24	YW0203000400	Adjustable snap hook SAL-6U-A-35*	Assembly	2	
23	YR40000600800	Snap hook plastic washer SAL-6U*	ABS	2	
22	YR40061500000	Star handle SAL-6U/M6x15	Assembly	2	
21	YR40000601000	Plastic vent window SAL-6U-01(stainless steel screen)(white)	Assembly	1	
20	BW20012000040	Alu handle 120L (M6 hole)black	YL112	1	
19	BY20382400050	Vacuum breaking valve SPDV-38(24VDC)	Assembly	1	
18		Suction pipe	SUS201	1	
17	BL21001200320	Filter screen SHR-12U-A-05*	SUS201	1	
16	YR10000600200	Hopper fastener SAL-6U(has mold)*	Rubber	1	
15	YR10061200000	Suction pipe round fastener SAL-6U/20(has mold)*	Rubber	1	
14	BL32000600020	Inlet pipe SAL-360 for SAL-6U-A-14*	SUS201	1	
13	YW64040700100	Non-metal insert hex. lock nut GB/T889.1M4	8		
12		Storage hopper	SUS304	1	
11	BL21000602320	Discharge plate SAL-6U-A-06(ver.FI)*	SUS201	1	
10	BR40001200110	Motor cover SHR-12U-S-A-11(ver.BI)(has mold)*	ABS	1	
9	BH90615000010	Control bar lower cover SHR-6U-S-A-15(01 white)*	ABS	1	
8	YE10210400000	White alternative switch R210-CSL(BW4P)*	Assembly	1	
7	BH12000600010	Magnet sleeve SAL-6U-19	H58	1	
6	BL21000600120	Magnet cover SAL-6U-07(SUS201)	SUS201	1	
5	YW90257700000	Permanent magnet φ25xφ7x7	Per.mag	1	
4	BW20000630500	Pressing block SAL-6U-A-13 polished	YL112	4	
3		Base fastener*	EVA2.0	1	
2	BW21275100010	Non base SAL-6U(greased)	YL112	1	
1	YR20205500000	Rubber O-type inner diaφ200x5.5*	Rubber	1	

Title		Drawing no.		Scale		Mat.	
SHR-12U-S		SHR-12U-S		1:6		No. 1	
Central Vacuum Hopper		(for assembly drawing)				Assembly	
Dra.		Ver.		Surface req.		Mat. No.	
Desi.		App. by					
Check		Date					
App.		Date					
Mod. by		Date					
After Mod.		Date					
Mark		Before Mod.					



SHR-12U-ES assembly diagram and parts List.



“\*\*” indicates the items that may be damaged; “\*\*\*” indicates the items that are more likely to be damaged. It is recommended to back them up. Please confirm the version number of the instruction manual before placing an order to purchase spare parts, so as to ensure that the material number of spare parts is consistent with the physical one.

No.	Material number	Name	Mat.	Num.	Remarks
36		15" 3 way suction pipe	SUS201	1	Opt.
35		15" back stop non-return piece	SUS201	1	Opt.
34		15" back stop	Assembly	1	Opt.
33		Inlet pipe (with back stop)	Assembly	1	Opt.
32	YW80000801500	APM insulated plate direct connector APH8(A)(T)QJ	Assembly	1	
31	YW66000600000	Open ring GB/T 896.6		2	
30	BH10006003110	Flange pin SAL-6U-A-31(SUS201)	SUS201	1	
29	BL32061200040	Lower hinge SAL-6U-12(ver. A)(chrome)(0.19 KGI)	SPCC30	1	
28	BL32061100040	Upper hinge SAL-6U-11(ver. A)(chrome)(0.08KGI)	SPCC30	1	
27		Hopper cover	Assembly	1	
26	YW02003000400	Snap hook SAL-6U-A-35*	Assembly	2	
25	YR40006008000	Snap hook plastic washer SAL-6U*	ABS	2	
24	BL90001000120	Photoresistor feed base SVH-6L-ALL-10(pressure)(has photo)ML112	ML112	1	
23	YE15183000900	Photoresistor switch T8-3MB-PE-4M-5# (FOTEX)*	Assembly	1 pair	
22	BL21001200120	Photoresistor fixed piece SVH-12L-A-01	SUS201	1	
21	YW31616200000	Photoresistor pressing base SVH-6L-ALL-11(ver. SUS201)(has mold)*	SUS201	1	
20	BW20012000040	Square aluminum handle 120(L)(M6 hole)(blk)(YL112)	YL112	1	
19	BY20382400050	Vacuum separating valve SPDV-38(24-VDC)	Assembly	1	
18		Suction pipe	SUS201	1	
17	BL21001200320	Filter screen SHR-12U-A-05*	SUS201	1	
16	YR10006002000	Hopper fastener SAL-6U(has mold)*	Rubber	1	
15	YR10061200000	Suction pipe round fastener SAL-6U/12U(has mold)*	Rubber	1	
14	BL32000600020	Inlet pipe SAL-360 for SAL-6U-A-14*	Assembly	1	
13	YW64040700100	Non-metal insert hex. lock nut(GB/T 889.1 M4)	ABS	8	
12	BR40001200110	Motor cover SHR-12U-S-A-11(ver. B)(has mold)*	ABS	1	
11	BH90615000010	Control box lower cover SHR-6U-S-A-15(01 white)	ABS	1	
10	YE10210400000	White alternative switch R210-CL5(BMAP)*	Assembly	1	
9		Storage hopper	SUS304	1	
8	YW69621600000	Manual twist screw M6x20x16		3	
7	BL90052003210	Vent flange SVH-12L-A-11	SUS201	1	
6	BW32001200110	Glass pipe upper flange SVH-12L-A-07(has mold)	SUS202	1	
5	BL21001200520	Non-return piece SVH-12L-A-08*	SUS201	1	
4	YW70171700000	Glass pipe φ170xφ160x170*	Glass	1	
3	BH10101600110	Flange connecting rod φ10x163(SVH-12L-A-06)	Q235A	4	
2	YR10001200100	Glass pipe fastener SVH-12L-A-04*	Silical get	2	
1	BL21000610710	Glass pipe lower flange SVH-12L-A-10(has mold)	SUS202	1	

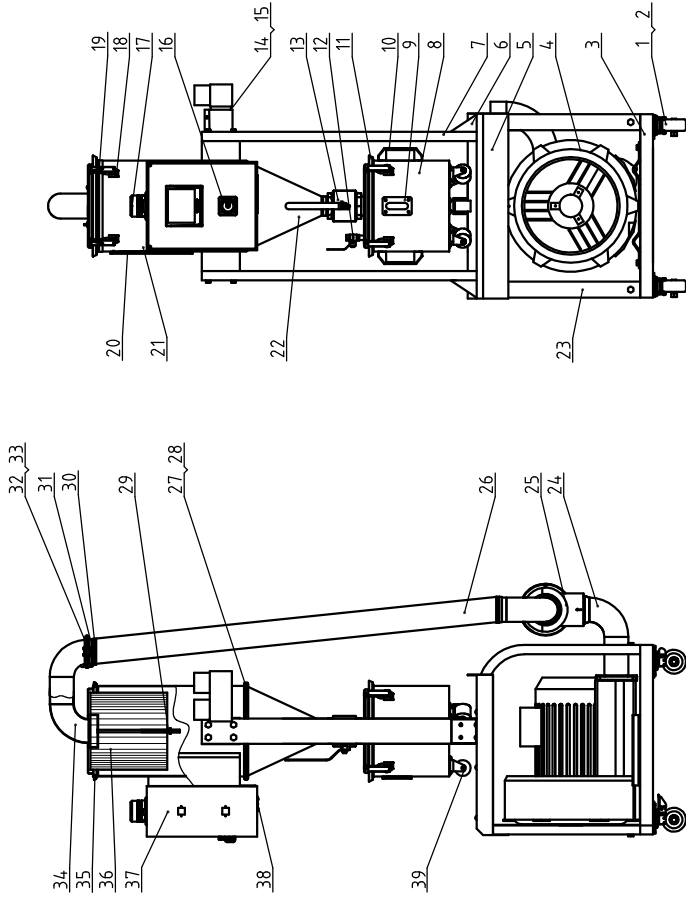
Title		Drawing no.		Scale	
SHR-12U-ES		SHR-12U-ES		1/6 No. 1	
Central Vacuum Hopper		(for assembly drawing)		Mat. Assembly	
Mark	Before Mod.	After Mod.	Mod. by	Date	App.
Check			App. by	Date	Ver.



Surf. req.	Mat.	Mat. No.



SAL-10HP-UG122 assembly diagram and parts List.

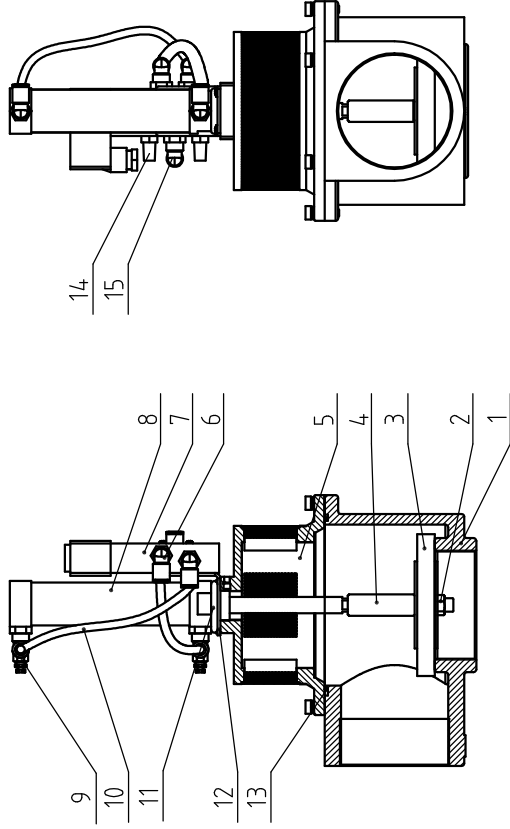


39	YW03000200000	Black castor 2" *	Assembly	3
38	BL50135000020	Wire clamp fixed plate PGB3.5 SC-S-01 (has mould)	SPCC2.0	1
37		Central box assembly	Assembly	
36	YR50024400000	Filter barrel fastener #287 (has mould) * ISO 4016P-JIS-A-261	Assembly	1
35	YR10028700000	Filter barrel fastener #287 rubber (has mould) *	Rubber	2
34		Filter barrel cover assembly	Assembly	1
33	YR20000300000	Stainless steel stamping clamp seal ring 3"	SUS304	1
32	YW07000300300	Stainless steel stamping pipe clamp 3"	Assembly	1
31		Suction pipe	SUS201	2
30	YW02003500000	Stainless steel pipe clamp 3.5"	Q235	1
29	YW69051600000	Butterfly cap nut 5/16"	IM	
28	YR10123640000	Stainless steel pipe fastener SAL-120*36(has mould) *	Assembly	1
27		Pipe clamp assembly	Assembly	1
26	YR60303000000	Steel wire hose 3" x 1/8"	Assembly	1
25	BY20007600450	Vacuum breaking valve SVBV-76(VER.B)	Assembly	1
24		Inlet air pipe	SUS201	1
23		Support	SPCC2.0	1
22		Filter barrel (lower)	Assembly	1
21		Filter barrel (upper)	Assembly	1
20	BH90000600050	Sight glass 6 hole assembly	Assembly	1
19	YW02003000400	Adjustable snap hook SAL-60J-A-35-	Assembly	8
18	YW69050100009	Open flat round head blind rivet GB/T12688 4x6	Assembly	16
17	BL90000011520	3-color alarm light/red, yel. gr. + buzzer/AC/DC24	Assembly	1
16	YE10220300000	Main power switch	Assembly	1
15		3-way pipe	SUS201	1
14	BW20002500100	2.5" Alu. alloy pipe connector SSE-P-25-01-ALL	Assembly	1
13	YW50002000000	Copper ball valve 2"	Assembly	1
12	YW50004100000	Copper ball valve 1/4" PT	Assembly	1
11		Dust collective hopper cover	Assembly	1
10	BW20012000040	Square alu. handle L120	YL112	2
9	BH90000400050	4-hole sight glass assembly	SPCC1.5	1
8		Dust collective hopper	SPCC3.0	1
7		Filter barrel column	SPCC2.0	2
6		Column support	SPCC2.0	1
5		Middle plate	SPCC2.0	1
4	BM30081000050	Shim/liner RB-85010HP13/230V/400V/50/60Hz/UK-	Assembly	1
3		Base	SPCC3.0	1
2	YW03000300200	Movable universal castor 3"	Assembly	2
1	YW03000300000	Brake universal castor 3"	Assembly	2

No.	Material number	Name	Mat. Number	Remarks
Title SAL-10HP-UG122		Drawing no. SAL-10HP-UG122	Proportion 1:15	Number 1
		"One-to-Two" Separate Hopper Loader	(for assembly drawing)	Material Assembly
Mark	After modification	Before modification	Modified by	Modify date
			Drawn by	Version
			Designed by	Approved by
			Proofread by	Date
			Checked by	



“\*”Indicates the items that may be damaged; “\*\*” indicates the items that are more likely to be damaged. It is recommended to back them up. Please confirm the version number of the instruction manual before placing an order to purchase spare parts, so as to ensure that the material number of spare parts is consistent with the physical one.



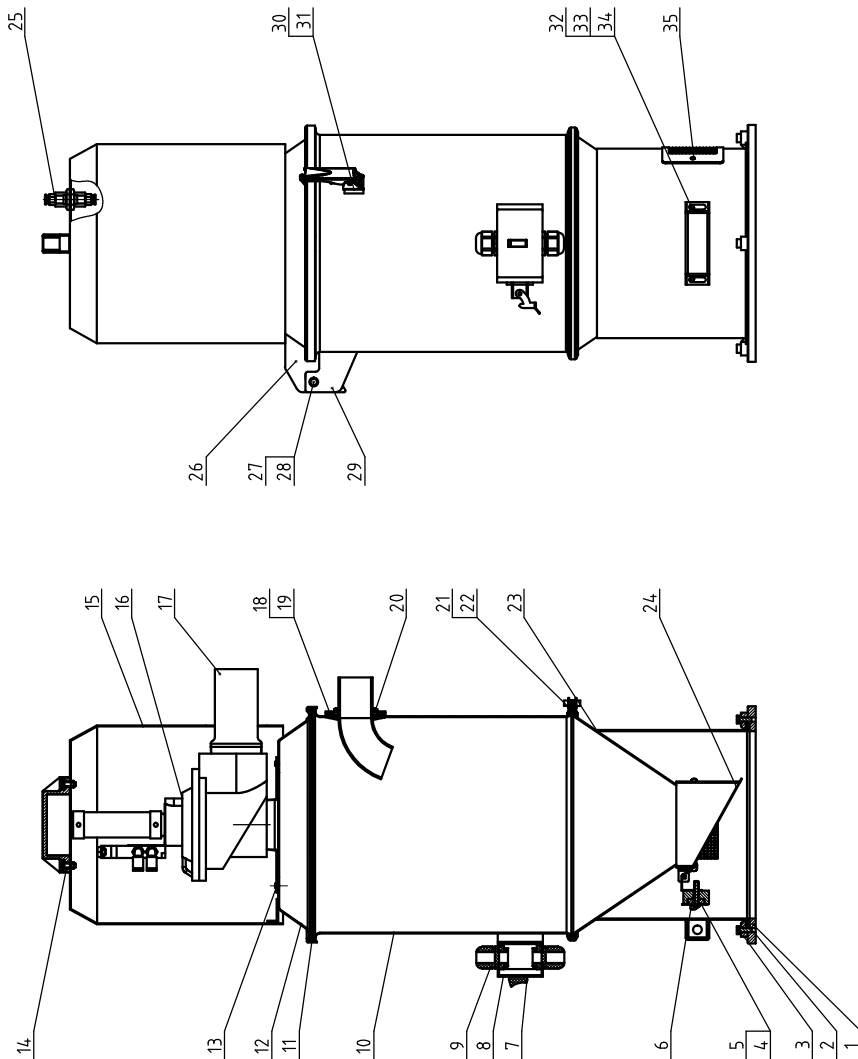
“\*”Indicates the items that may be damaged; “\*\*” indicates the items that are more likely to be damaged.  
It is recommended to back them up.

Please confirm the version number of the instruction manual before placing an order to purchase spare parts, so as to ensure that the material number of spare parts is consistent with the physical one.

15	YW80081800100	L screw connector APL8-01 1/8-φ8(AirTAC)	Assembly	1	
14	YW80010800000	Copper muffler 1/8"(has mould)	Assembly	2	
13	YR20013030000	O-type seal ring ext. dia. 130 wire dia.3(fluororubber)*	Fluororubber	1	
12	BL20380500020	Solenoid valve fixed piece SPDV-38-ALL-05	SPCC2.0	1	
11	YR20305000000	O type seal ring φ30×φ5*	Rubber	1	
10	YR60000600400	PU air pipe φ6×φ4 blk 200m/roll	PU	1M	
9	YW80061800000	Adjustable air pipe connector ASL6-1/8	Assembly	2	
8	YE31258000000	Cylinder MBL25×80-U(AIRTAC)SCSF-300-B-10*	Assembly	1	
7	YE32421000300	Solenoid valve 4V210-06/DC24V*	Assembly	1	
6	YW80061800200	L screw connector APL6-01 1/8-φ6(AirTAC)	Assembly	2	
5		Upper cover	Assembly	1	
4	BH10007600310	Diaphragm fixed screw SVBV-76-ALL-03	SUS304	1	
3	BL90007600040	Diaphragm SVBV-76-ALL-04(ver.0)*	Assembly	1	
2	YW64101000000	Hex. nut M10 anti-loose(Thickness:11mm)		1	
1	BA90760100010	Lower cover SVBV-76-ALL-01	AC4B	1	
No.	Material number	Name	Mat.	Num	Remarks
	SVBV-76	Drawing no.	Scale	1:5	Num. 1
	Vacuum Breaking Separator	SVBV-76(for assembly drawing)			Mat. Assembly
Mark	Before Mod.	After Mod.	Mod. by	Date	App.



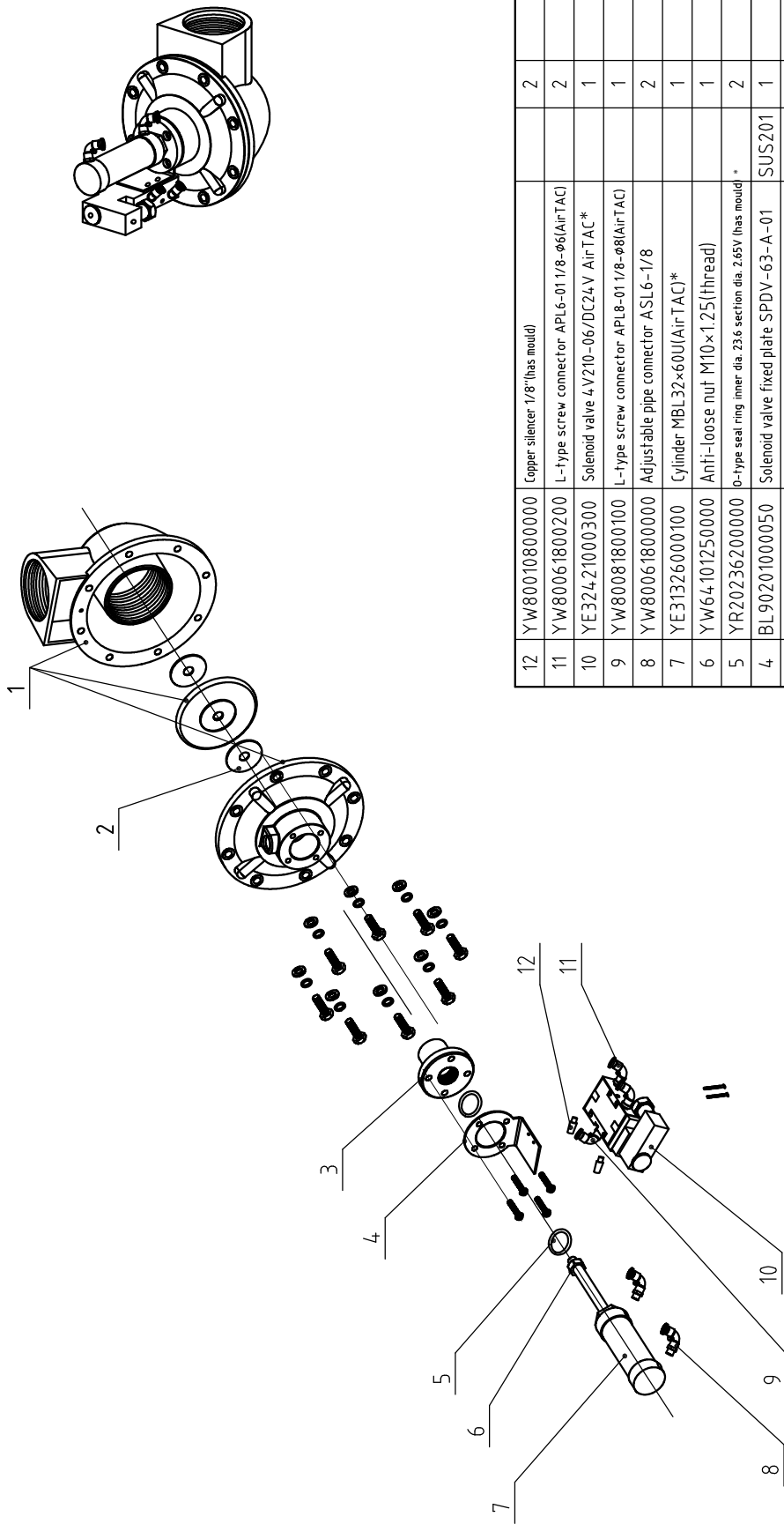
SHR-36U-S assembly diagram and parts List.



35	YR4.0000601000	Plastic vent window SAL-6U-01 (stainless steel, screen/white)	Assembly	1	
34	YR4.0061500000	Star handle SAL-6U/M6x15	Assembly	2	
33		Sensor shell	SUS201	1	
32	YE151230004.00	Resin switch-BN12-30BL-A/C (blowmax-VISION) without crystal connector**	Assembly	1	
31	YW020030004.00	Adjustable snap hook SAL-6U-A-35*	Assembly	2	
30	YR4.0000600800	Snap hook plastic washer SAL-6U(white)(has mould)**	SPHA.0	2	
29	BL3200960004.0	Lower hoop SHR-36U-S-ALL-01(ver.0)(bottom plate)		1	
28	YW666000600000	Open ring GB/T896 6		2	
27	BH10006003110	Hinge pin SAL-6U-A-31(SUS201)	SUS201	1	
26	BL3200960014.0	Upper hinge SHR-36U-S-ALL-06(ver.0)(bottom plate)	SPHA.0	1	
25	YW80000801500	API insulated plate direct connector APH8(A/TAC)	Assembly	1	
24		Discharge plate*	Assembly	1	
23		Hopper body	Assembly	1	
22	YR10121300200	Slide separator fastener SHR-25EB-A-11(ver.0)(K steel, galvanized mould)**		2	
21		Pipe clamp assembly	Assembly	1	
20	YW64040700100	Non-metal insert hex lock nut GB/T889.1 M4		8	
19	BL27002401620	Inlet pipe*	Assembly	1	
18	YR10243600000	Swivel pipe round fastener SAL-24U/360(lhas mould)**	Rubber	1	
17		2.5" suction pipe	SUS201	1	
16	BY20006300150	Vacuum breaking valve SPDY-63(24VDC)(VER.B)	Assembly	1	
15		Daphragm cover	SPCC1.5	1	
14	BW2001200004.0	Alu. square handle 120L(M6 hole) black	YL112	1	
13		Flange	SUS201	1	
12		Hopper cover	Assembly	1	
11		Filter screen*	Assembly	1	
10		Hopper(lupper)	SUS304	1	
9	YE67000940000	Cable lock head PG9		2	
8	BH90615000010	Central box lower cover SHR-6U-S-A-5(1) white*	ABS	1	
7	YE10118400000	White alternative switch RH-18/AP 24VAC/DC Xian Fang*	Assembly	1	
6	BH110036001510	Magnet sleeve SHR-36U-ALL-06(ver.0)	H58	1	
5		Magnet cover	SUS201	1	
4	YW90257700000	Permanent magnet Ø25-Ø7x7	Per. mag.	1	
3	BW20000630500	Pressing block SAL-6U-A-13 polished	YL112	4	
2		Base fastener*	EVA2.0	1	
1	BH13003601510	Base SHR-36U-ALL-09(lhas mould)(processed/ver.0)	AC4B	1	

\*\*Indicates the items that may be damaged. "\*\*\*\*" indicates the items that are more likely to be damaged. It is recommended to back them up. Please confirm the version number of the instruction manual before placing an order to purchase spare parts, so as to ensure that the material number of spare parts is consistent with the physical one.

No.	Material number	Name	Mat.	Num.	Remarks
Title		SHR-36U-S			
Drawing no.		SHR-36U-S			
Scale		1:7			
Title		SHR-36U-S			
Drawing no.		SHR-36U-S			
Scale		1:7			
Title		SHR-36U-S			
Drawing no.		SHR-36U-S			
Scale		1:7			
Title		SHR-36U-S			
Drawing no.		SHR-36U-S			
Scale		1:7			
Title		SHR-36U-S			
Drawing no.		SHR-36U-S			
Scale		1:7			
Title		SHR-36U-S			
Drawing no.		SHR-36U-S			
Scale		1:7			
Title		SHR-36U-S			
Drawing no.		SHR-36U-S			
Scale		1:7			
Title		SHR-36U-S			
Drawing no.		SHR-36U-S			
Scale		1:7			
Title		SHR-36U-S			
Drawing no.		SHR-36U-S			
Scale		1:7			
Title		SHR-36U-S			
Drawing no.		SHR-36U-S			
Scale		1:7			
Title		SHR-36U-S			
Drawing no.		SHR-36U-S			
Scale		1:7			
Title		SHR-36U-S			
Drawing no.		SHR-36U-S			
Scale		1:7			
Title		SHR-36U-S			
Drawing no.		SHR-36U-S			
Scale		1:7			
Title		SHR-36U-S			
Drawing no.		SHR-36U-S			
Scale		1:7			
Title		SHR-36U-S			
Drawing no.		SHR-36U-S			
Scale		1:7			
Title		SHR-36U-S			
Drawing no.		SHR-36U-S			
Scale		1:7			
Title		SHR-36U-S			
Drawing no.		SHR-36U-S			
Scale		1:7			
Title		SHR-36U-S			
Drawing no.		SHR-36U-S			
Scale		1:7			
Title		SHR-36U-S			
Drawing no.		SHR-36U-S			
Scale		1:7			
Title		SHR-36U-S			
Drawing no.		SHR-36U-S			
Scale		1:7			
Title		SHR-36U-S			
Drawing no.		SHR-36U-S			
Scale		1:7			
Title		SHR-36U-S			
Drawing no.		SHR-36U-S			
Scale		1:7			
Title		SHR-36U-S			
Drawing no.		SHR-36U-S			
Scale		1:7			
Title		SHR-36U-S			
Drawing no.		SHR-36U-S			
Scale		1:7			
Title		SHR-36U-S			
Drawing no.		SHR-36U-S			
Scale		1:7			
Title		SHR-36U-S			
Drawing no.		SHR-36U-S			
Scale		1:7			
Title		SHR-36U-S			
Drawing no.		SHR-36U-S			
Scale		1:7			
Title		SHR-36U-S			
Drawing no.		SHR-36U-S			
Scale		1:7			
Title		SHR-36U-S			
Drawing no.		SHR-36U-S			
Scale		1:7			
Title		SHR-36U-S			
Drawing no.		SHR-36U-S			
Scale		1:7			
Title		SHR-36U-S			
Drawing no.		SHR-36U-S			
Scale		1:7			
Title		SHR-36U-S			
Drawing no.		SHR-36U-S			
Scale		1:7			
Title		SHR-36U-S			
Drawing no.		SHR-36U-S			
Scale		1:7			
Title		SHR-36U-S			
Drawing no.		SHR-36U-S			
Scale		1:7			
Title		SHR-36U-S			
Drawing no.		SHR-36U-S			
Scale		1:7			
Title		SHR-36U-S			
Drawing no.		SHR-36U-S			
Scale		1:7			
Title		SHR-36U-S			
Drawing no.		SHR-36U-S			
Scale		1:7			
Title		SHR-36U-S			
Drawing no.		SHR-36U-S			
Scale		1:7			
Title		SHR-36U-S			
Drawing no.		SHR-36U-S			
Scale		1:7			
Title		SHR-36U-S			
Drawing no.		SHR-36U-S			
Scale		1:7			
Title		SHR-36U-S			
Drawing no.		SHR-36U-S			
Scale		1:7			
Title		SHR-36U-S			
Drawing no.		SHR-36U-S			
Scale		1:7			
Title		SHR-36U-S			
Drawing no.		SHR-36U-S			
Scale		1:7			
Title		SHR-36U-S			
Drawing no.		SHR-36U-S			
Scale		1:7			
Title		SHR-36U-S			
Drawing no.		SHR-36U-S			
Scale		1:7			
Title		SHR-36U-S			
Drawing no.		SHR-36U-S			
Scale		1:7			
Title		SHR-36U-S			
Drawing no.		SHR-36U-S			
Scale		1:7			
Title		SHR-36U-S			
Drawing no.		SHR-36U-S			
Scale		1:7			
Title		SHR-36U-S			
Drawing no.		SHR-36U-S			
Scale		1:7			
Title		SHR-36U-S			
Drawing no.		SHR-36U-S			
Scale		1:7			
Title		SHR-36U-S			
Drawing no.		SHR-36U-S			
Scale		1:7			
Title		SHR-36U-S			
Drawing no.		SHR-36U-S			
Scale		1:7			
Title		SHR-36U-S			
Drawing no.		SHR-36U-S			
Scale		1:7			
Title		SHR-36U-S			
Drawing no.		SHR-36U-S			
Scale		1:7			
Title		SHR-36U-S			
Drawing no.		SHR-36U-S			
Scale		1:7			
Title		SHR-36U-S			
Drawing no.		SHR-36U-S			
Scale		1:7			
Title		SHR-36U-S			
Drawing no.		SHR-36U-S			
Scale		1:7			
Title		SHR-36U-S			
Drawing no.		SHR-36U-S			
Scale		1:7			
Title		SHR-36U-S			
Drawing no.		SHR-36U-S			
Scale		1:7			
Title		SHR-36U-S			
Drawing no.		SHR-36U-S			
Scale		1:7			
Title		SHR-36U-S			
Drawing no.		SHR-36U-S			
Scale		1:7			
Title		SHR-36U-S			
Drawing no.		SHR-36U-S			
Scale		1:7			
Title		SHR-36U-S			
Drawing no.		SHR-36U-S			
Scale		1:7			
Title		SHR-36U-S			
Drawing no.		SHR-36U-S			
Scale		1:7			
Title		SHR-36U-S			
Drawing no.		SHR-36U-S			
Scale		1:7			
Title		SHR-36U-S			
Drawing no.		SHR-36U-S			
Scale		1:7			
Title		SHR-36U-S			
Drawing no.		SHR-36U-S			
Scale		1:7			
Title		SHR-36U-S			
Drawing no.		SHR-36U-S			
Scale		1:7			
Title		SHR-36U-S			
Drawing no.		SHR-36U-S			
Scale		1:7			
Title		SHR-36U-S			
Drawing no.		SHR-36U-S			
Scale		1:7			
Title		SHR-36U-S			
Drawing no.		SHR-36U-S			
Scale		1:7			
Title		SHR-36U-S			
Drawing no.		SHR-36U-S			
Scale		1:7			
Title		SHR-36U-S			
Drawing no.		SHR-36U-S			
Scale		1:7			
Title		SHR-36U			



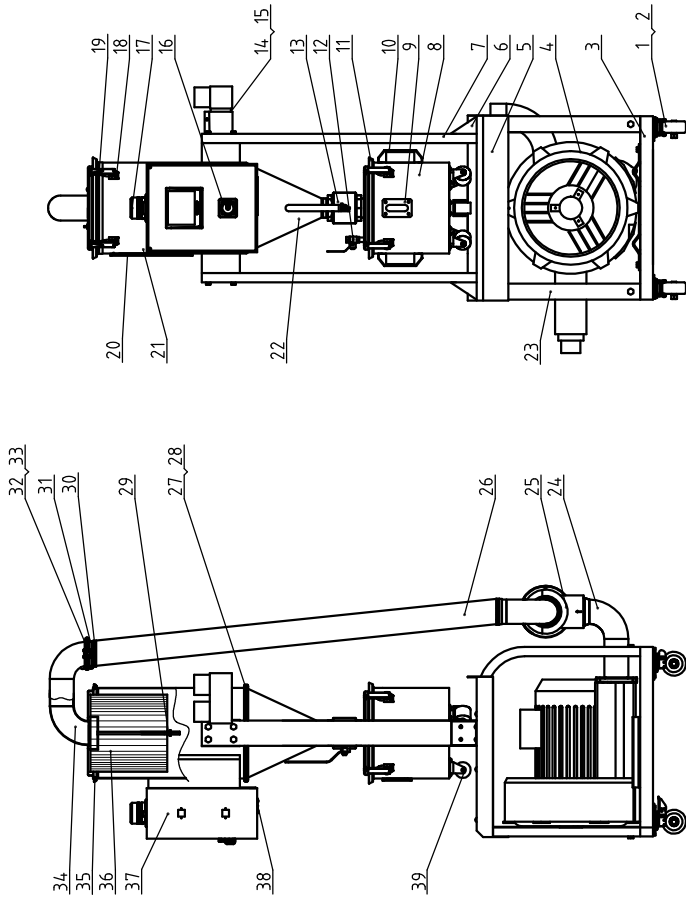
“\*”Indicates the items that may be damaged; “\*\*\*” indicates the items that are more likely to be damaged. It is recommended to back them up. Please confirm the version number of the instruction manual before placing an order to purchase spare parts, so as to ensure that the material number of spare parts is consistent with the physical one.

No.	Material number	Name	Material	Number	Remarks
12	YW80010800000	Copper silencer 1/8"(has mould)		2	
11	YW80061800200	L-type screw connector APL6-011/8-φ6(AirTAC)		2	
10	YE32421000300	Solenoid valve 4V210-06/DC24V AirTAC*		1	
9	YW80081800100	L-type screw connector APL8-011/8-φ8(AirTAC)		1	
8	YW80061800000	Adjustable pipe connector ASL6-1/8		2	
7	YE31326000100	Cylinder MBL32×60U(AirTAC)*		1	
6	YW64401250000	Anti-loose nut M10×1.25(thread)		1	
5	YR20236200000	O-type seal ring inner dia. 23.6 section dia. 2.65V (has mould)*		2	
4	BL90201000050	Solenoid valve fixed plate SPDV-63-A-01	SUS201	1	
3	BH90630200010	Cylinder nut SPDV-63-A-02(ver. B)	6061	1	
2	BL90201870020	Foot pad SPDV-63-A-03(SUS201)		2	
1	BH10252800010	Pneumatic diaphragm valve cover 2.5"SPDV-63-A-04	YL12	1	

Mark	Before Mod.	After Mod.	Mod. by	Date	App.	Date	Check	App. by	Date	Ver.	Dra.	Ver.	Title	
														SPDV-63
														Drawing no.
														SPDV-63(Assembly Drawing)
														Scale
														1:7
														Number
														1
														Mat.
														Assembly
														Surface req
														Mat. No.



SAL-10HP-UG122-D assembly diagram and parts List.



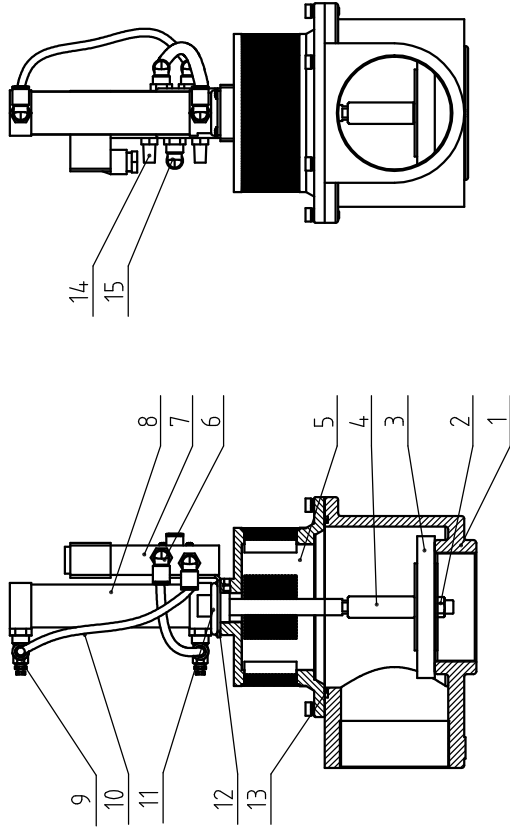
“\*”Indicates the items that may be damaged. “\*\*” indicates the items that are more likely to be damaged. It is recommended to back them up. Please confirm the version number of the instruction manual before placing an order to purchase spare parts, so as to ensure that the material number of spare parts is consistent with the physical one.

39	YW03000200000	Black castor 2" *	Assembly	3
38	BL50135000020	Wire clamp fixed plate PGB35 SG-S-01 (has mould)	SPCC2.0	1
37		Control box assembly	Assembly	
36	YR50024400000	Filter barrel fastener #287 rubber (has mould) * SAL-10HP-UG122-D	Assembly	1
35	YR10028700000	Filter barrel fastener #287 rubber (has mould) *	Rubber	2
34		Filter barrel cover assembly	Assembly	1
33	YR20000300000	Stainless steel stamping clamp seal ring 3"	Assembly	1
32	YW07000300300	Stainless steel stamping pipe clamp 3"	SUS304	1
31		Suction pipe	Assembly	1
30	YW02003500000	Stainless steel pipe clamp 3.5"	SUS201	2
29	YW69051600000	Butterfly cap nut 5/16"	Q235	1
28	YR10123640000	Stainless steel pipe fastener SAL-120-36U(has mould) *	IM	
27		Pipe clamp assembly	Assembly	1
26	YR60303000000	Steel wire hose 3"x1.8m	Assembly	1
25	BY20007600450	Vacuum breaking valve SVBV-76(VER B)	Assembly	1
24		Inlet air pipe	SUS201	1
23		Support	SPCC2.0	1
22		Filter barrel (lower)	Assembly	1
21		Filter barrel (upper)	Assembly	1
20	BH90000600050	Sight glass 6 hole assembly	Assembly	1
19	YW02003000400	Adjustable snap hook SAL-60-A-35*	Assembly	8
18	YW69050100009	Open flat round head blind rivet GB/T12618 4x6	Assembly	16
17	BL90000011520	3-color alarm light(red, yel. gre.+ buzzer)AC/DC24	Assembly	1
16	YE10220300000	Main power switch	Assembly	1
15		3-way pipe	SUS201	1
14	BW20002500100	2.5" Alu alloy pipe connector SSE-P-25-01-ALL	Assembly	1
13	YW5000200000000	Copper ball valve 2"	Assembly	1
12	YW5000410000000	Copper ball valve 1/4" PT	Assembly	1
11		Dust collective hopper	Assembly	1
10	BW20012000040	Square alu. handle L120	YL112	2
9	BH90000400050	4-hole sight glass assembly	Assembly	1
8		Dust collective hopper	SPCC1.5	1
7		Filter barrel column	SPCC3.0	1
6		Column support	SPCC2.0	2
5		Middle plate	SPCC2.0	1
4	YM30637500000	Stainless steel 304/316 3 phase 230V/400V/50/60HZ with angle pipe/cage	Assembly	1
3		Base	SPCC3.0	1
2	YW03000300200	Movable universal castor 3"	Assembly	2
1	YW03000300000	Brake universal castor 3"	Assembly	2

No.	Material number	Name	Mat. Number	Remarks
Title SAL-10HP-UG122-D Drawing no. SAL-10HP-UG122-D (for assembly drawing)				
Version Approved by Date				
Designer Proofread by Date				
Checked by Date				
Mark After modification Before modification Modified by Modify date				
Proportion 1:15 Number 1				
Surface requirement Material Assembly				
Material number				



Attached:SVBV-76 assembly diagram and parts List(BY20007600450).



“\*”Indicates the items that may be damaged; “\* \*” indicates the items that are more likely to be damaged.

It is recommended to back them up.

Please confirm the version number of the instruction manual before placing an order to purchase spare parts, so as to ensure that the material number of spare parts is consistent with the physical one.

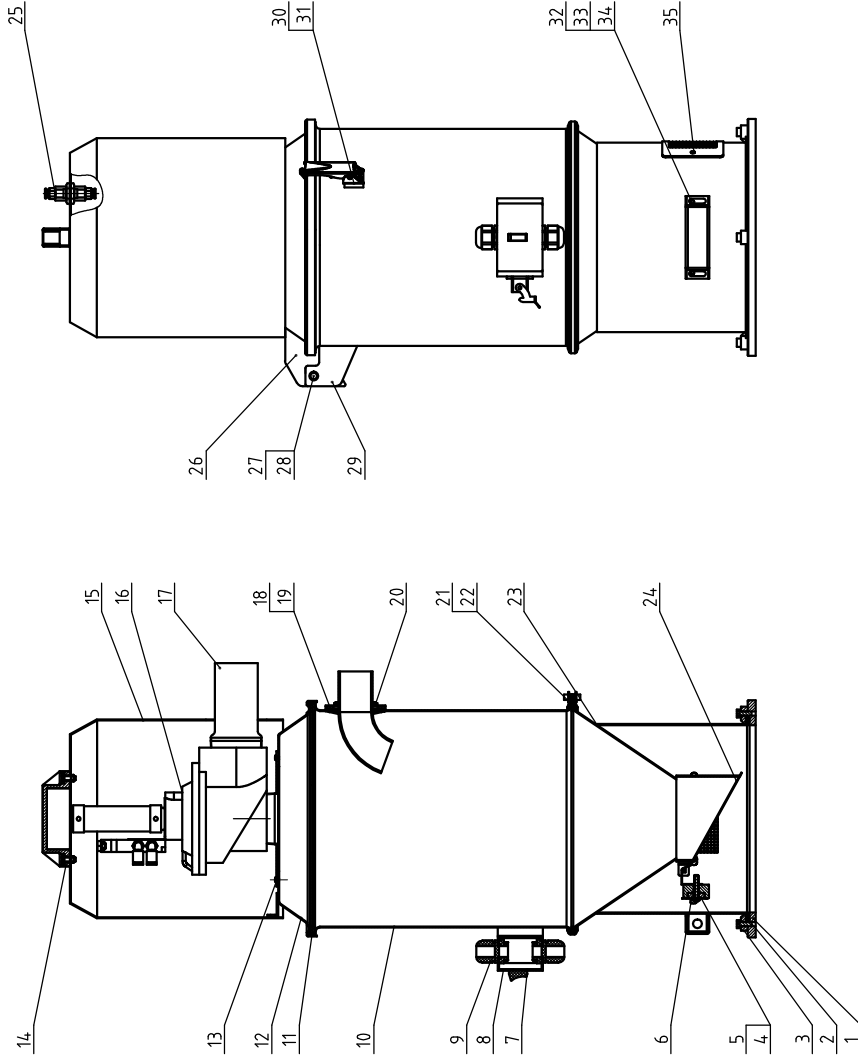
15	YW80081800100	L screw connector APL8-01 1/8-φ8(AirTAC)	Assembly	1	
14	YW80010800000	Copper muffler 1/8"(has mould)	Assembly	2	
13	YR20013030000	O-type seal ring ext. dia. 130 wire dia.3(fluororubber)*	Fluororubber	1	
12	BL20380500020	Solenoid valve fixed piece SPDV-38-ALL-05	SPLC2.0	1	
11	YR20305000000	O type seal ring φ30×φ5*	Rubber	1	
10	YR60000600400	PU air pipe φ6 blk.200m/roll	PU	1M	
9	YW80061800000	Adjustable air pipe connector ASL6-1/8	Assembly	2	
8	YE31258000000	Cylinder MBL25×80-U/AIRTACJCSF-300-B-10*	Assembly	1	
7	YE32421000300	Solenoid valve 4V210-06/DC24V AirTAC*	Assembly	1	
6	YW80061800200	L screw connector APL6-01 1/8-φ6(AirTAC)	Assembly	2	
5		Upper cover	Assembly	1	
4	BH10007600310	Diaphragm fixed screw SVBV-76-ALL-03	SUS304	1	
3	BL90007600040	Diaphragm SVBV-76-ALL-04(ver.0)*	Assembly	1	
2	YW64101000000	Hex. nut M10 anti-loose(Thickness:11mm)		1	
1	BA90760100010	Upper cover SVBV-76-ALL-01	AC4B	1	
No.	Material number	Name	Mat.	Num	Remarks
Title SVBV-76		Drawing no.	Scale	1:5	Num. 1
Vacuum Breaking Separator		SVBV-76(for assembly drawing)			Mat. Assembly
			Surface req.		
			Mat No.		



信易電熱機械股份有限公司  
Shini Plastics Technologies, Inc.

Mark	Before Mod.	After Mod.	Mod. by	Date	Ver.	
					App. by	
					Date	

SHR-36U-S assembly diagram and parts List.



“\*” indicates the items that may be damaged; “\*\*\*” indicates the items that are more likely to be damaged. It is recommended to back them up. Please confirm the version number of the instruction manual before placing an order to purchase spare parts, so as to ensure that the material number of spare parts is consistent with the physical one.

No.	Material number	Name	Mat.	Num.	Remarks	
35	YR40000601000	Plastic vent window SAL-6U-01(stainless steel screen/white)	Assembly	1		
34	YR40061500000	Star handle SAL-6U/M6*15	Assembly	2		
33		Sensor shell	SUS201	1		
32	YE15123000400	Head switch BMT-36BLA/L 8mm*24V(D50H)W without crystal connector*	Assembly	2		
31	YW02003000400	Adjustable snap hook SAL-6U-A-35*	SPH4.0	1		
30	YR40000600800	Snap hook plastic washer SAL-6U(white/has mould)*	Assembly	2		
29	BL32009600040	Lower hinge SHR-36U-S-ALL-07(1sec.0)(chrome plated)	SPH4.0	1		
28	YW66000600000	Open ring GB/T 896 6	SUS201	2		
27	BH10006003110	Hinge pin SAL-6U-A-3(SUS201)	SPH4.0	1		
26	BL32009600140	Upper hinge SHR-36U-S-ALL-06(ver.0)(chrome plated)	Assembly	1		
25	YW80000801500	APH moulded plate direct connector APH8(Air-TAC)	Assembly	1		
24		Discharge plate*	Assembly	1		
23		Hopper body	Assembly	1		
22	YR10121300200	Scale separator fastener SPD-25E8-A-1(ver.0)(R. steel galvanized mould)*	Assembly	2		
21		Pipe clamp assembly	Assembly	1		
20	YW64040700100	Non-metal insert hex lock nut GB/T 889.1 M4	Assembly	8		
19	BL27002401620	Inlet pipe*	Rubber	1		
18	YR10243600000	Suction pipe round fastener SAL-24U/36U(1/has mould)*	SUS201	1		
17		2.5" suction pipe	Assembly	1		
16	BY20006300150	Vacuum breaking valve SPDV-63(2A)(DIVER. B)	SPCC1.5	1		
15		Diaphragm cover	YL112	1		
14	BW20012000040	Alu. square handle 120(L)(M6 hole) black	SUS201	1		
13		Flange	Assembly	1		
12		Hopper cover	Assembly	1		
11		Filter screen*	Assembly	1		
10		Hopper(upper)	SUS304	1		
9	YE67000940000	Cable lock head PG9	ABS	2		
8	BH90615000010	Central box cover SHR-6U-S-A-5(1/ white)*	Assembly	1		
7	YE10118400000	White alternative switch RH1-8/AP 24VAC/DC 10mA(Feng)*	H58	1		
6	BH110036001510	Magnet sleeve SHR-36U-ALL-06(ver.0)	SUS201	1		
5		Magnet cover	Per. mag.	1		
4	YW90257700000	Permanent magnet φ25*φ7*7	YL112	4		
3	BW20000630500	Pressing block SAL-6U-A-13 polished	EVA2.0	1		
2		Base fastener*	AC4.8	1		
1	BH13003601510	Base SHR-36U-ALL-09(1/has mould)(processed/ver.0)	Mat.	1		
Title		SHR-36U-S	Scale	1:7	No.	1
Drawing no.		SHR-36U-S	(for assembly drawing)			
Central Vacuum Hopper						
Dra.	Ver.					
Desi.	App. by					
Check	Date					
App.	Date					
Mod. by	Date					
Affer. Mod.	Date					
Mark	Before Mod.					
Surface req.						
Mat. No.						

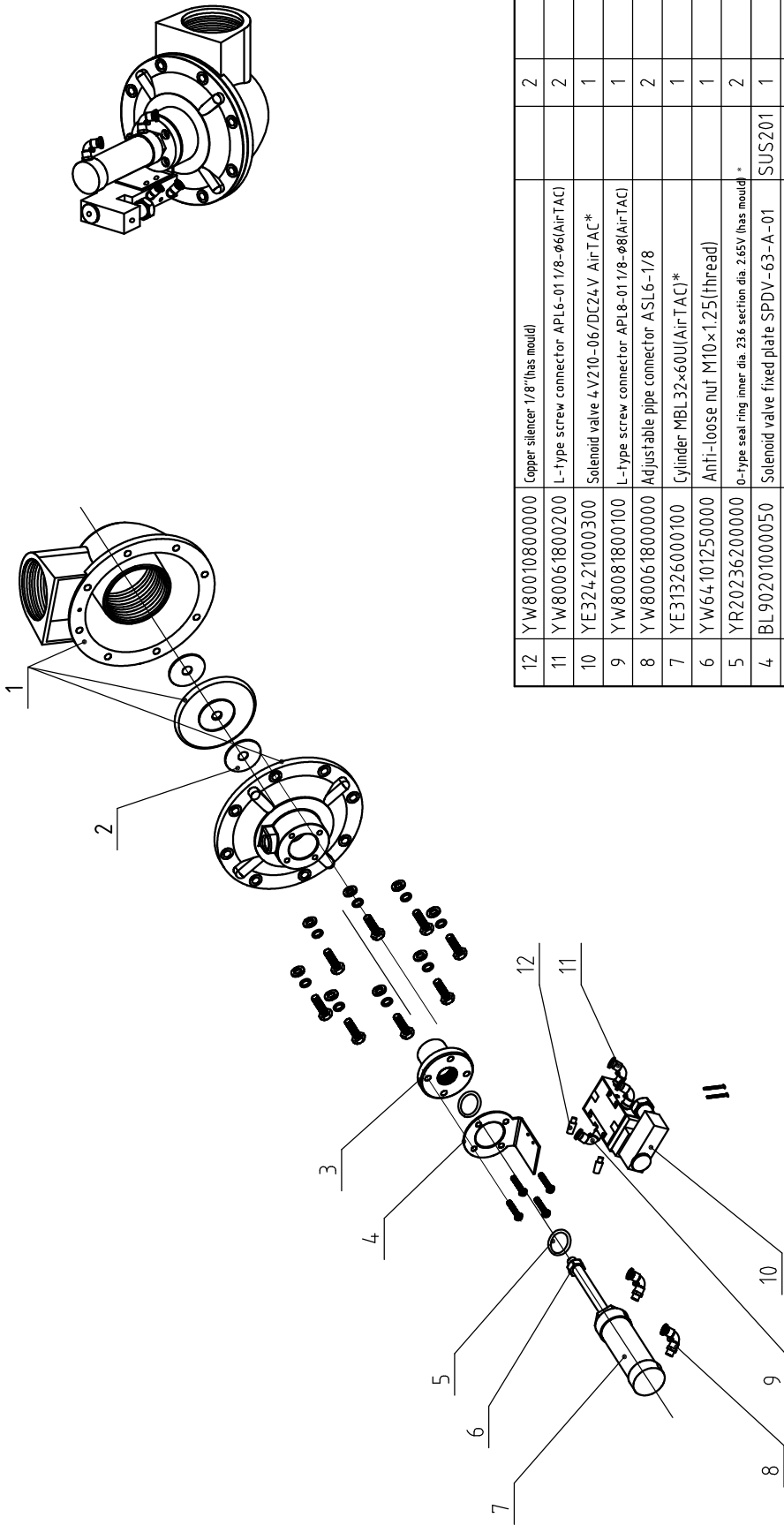












“\*”Indicates the items that may be damaged; “\*\*\*” indicates the items that are more likely to be damaged. It is recommended to back them up. Please confirm the version number of the instruction manual before placing an order to purchase spare parts, so as to ensure that the material number of spare parts is consistent with the physical one.

No.	Material number	Name	Material	Number	Remarks
12	YW80010800000	Copper silencer 1/8"(has mould)		2	
11	YW8000618000200	L-type screw connector APL6-01 1/8-φ6(AirTAC)		2	
10	YE32421000300	Solenoid valve 4V210-06/DC24V AirTAC*		1	
9	YW800081800100	L-type screw connector APL8-01 1/8-φ8(AirTAC)		1	
8	YW8000618000000	Adjustable pipe connector ASL6-1/8		2	
7	YE31326000100	Cylinder MBL32x60U(AirTAC)*		1	
6	YW644101250000	Anti-loose nut M10x1.25(thread)		1	
5	YR202362000000	φ-type seal ring inner dia. 23.6 section dia. 2.65V (has mould)*		2	
4	BL90201000050	Solenoid valve fixed plate SPDV-63-A-01	SUS201	1	
3	BH90630200010	Cylinder nut SPDV-63-A-02(ver. B)	6061	1	
2	BL90201870020	Foot pad SPDV-63-A-03(SUS201)		2	
1	BH10252800010	Pneumatic diaphragm valve cover 2.5"SPDV-63-A-04	YL12	1	

Title		SPDV-63		Drawing no.		Scale		1:7		Number		1		Remarks	
Vacuum Separating Valve															
SPDV-63(Assembly Drawing)															
SHINI		信易電熱機械股份有限公司		Shini Plastics Technologies, Inc.		Surface req.		Mat.		Mat. No.					
Mark	Before Mod.	After Mod.	Mod. by	Date	App.	Check	Desi.	Dra.	Ver.	App. by	Date				