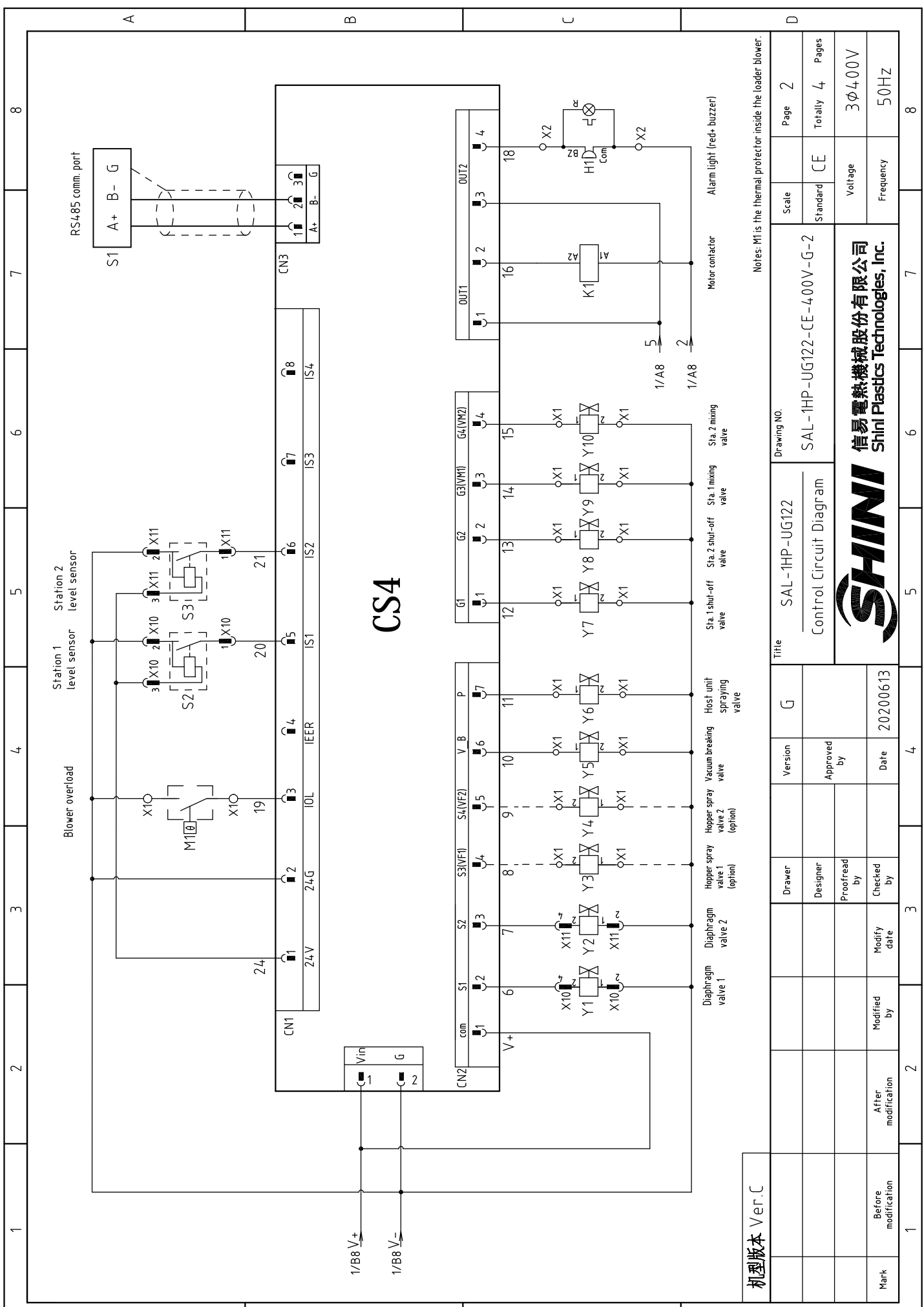


机型版本 Ver.C

Mark	Before modification	Modified by	Modify date	Checked by	Version	Title	Scale	Page
	After modification		20200613	Approved by	G	SAL-1HP-UG122 Main Circuit Diagram	Standard	1
				Date		Drawing NO.		Totally
				20200613		SAL-1HP-UG122-CE-4.00V-G-1		4
						Voltage		3φ4.00V
						Frequency		50Hz
						Voltage		3φ4.00V
						Frequency		50Hz
						Voltage		3φ4.00V
						Frequency		50Hz

SHINI
信易電熱機械股份有限公司
Shini Plastics Technologies, Inc.



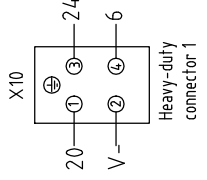
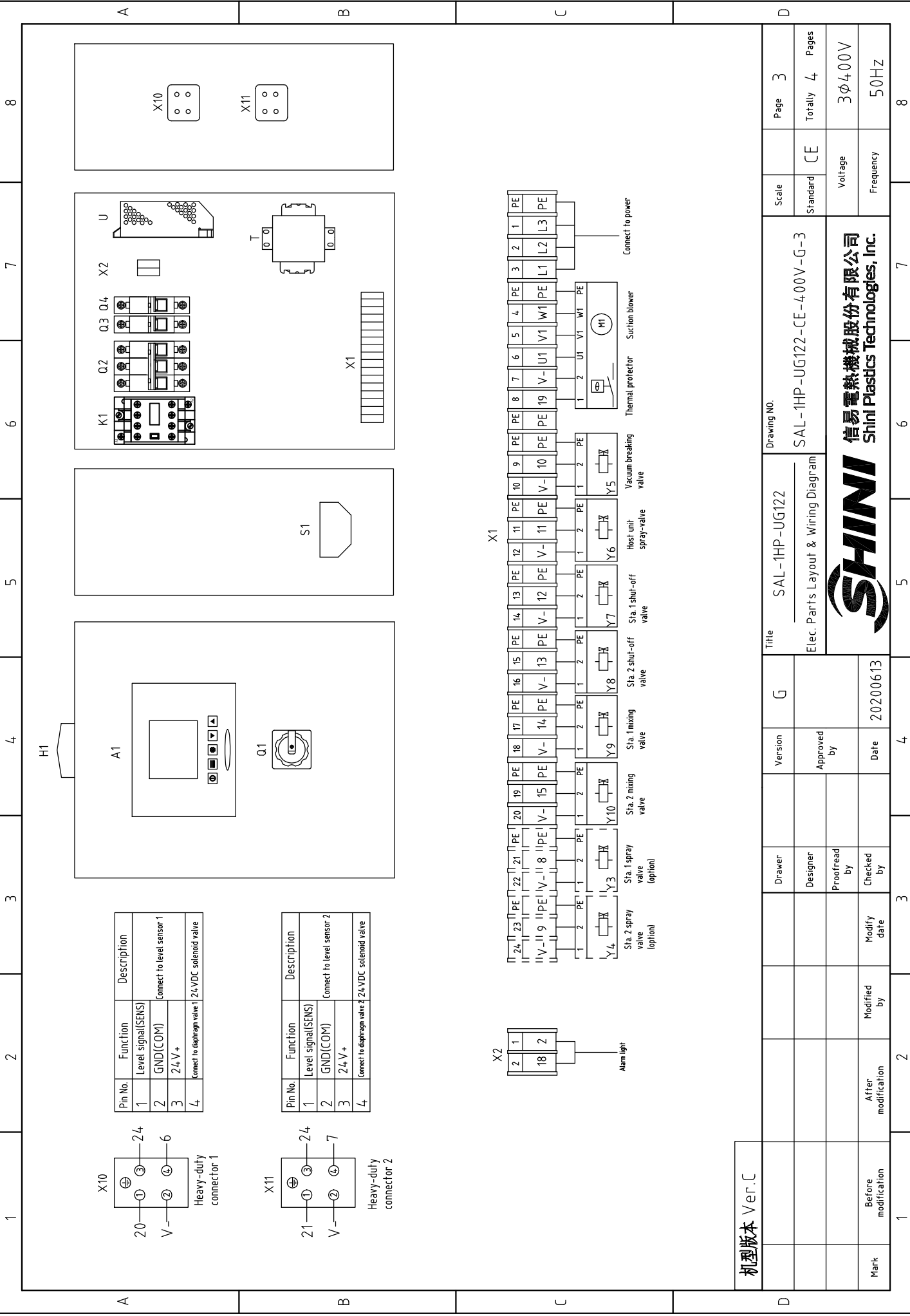
CS4

机版本 Ver.C

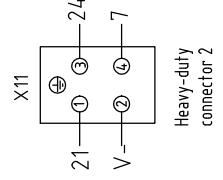
Notes: M1 is the thermal protector inside the loader blower.

1	2	3	4	5	6	7	8
Mark	Before modification	Modified by	Modify date	Checked by	Date	Approved by	Version
					20200613		G
Title				Drawing NO.			
SAL-1HP-UG122				SAL-1HP-UG122-CE-400V-G-2			
Control Circuit Diagram				Scale			
				Standard			
				Voltage			
				Frequency			
				Page			
				Totally			
				Pages			
				3φ400V			
				50HZ			
				8			





Pin No.	Function	Description
1	Level signal(SENS)	
2	GND(COM)	Connect to level sensor 1
3	24 V +	
4	Connect to diaphragm valve 1	24VDC solenoid valve

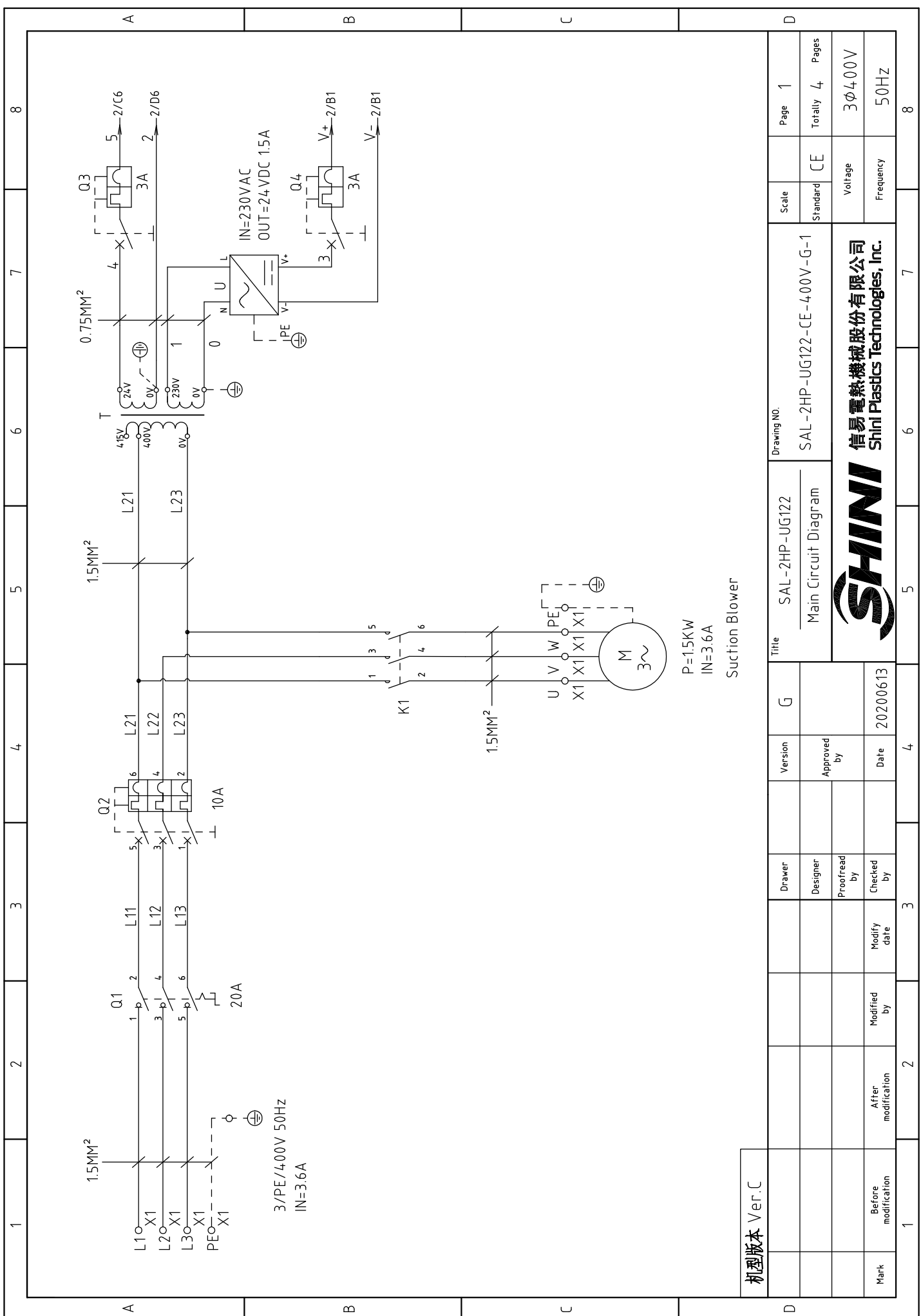


Pin No.	Function	Description
1	Level signal(SENS)	
2	GND(COM)	Connect to level sensor 2
3	24 V +	
4	Connect to diaphragm valve 2	24VDC solenoid valve

机型版本 Ver.C

Drawing NO.		SAL-1HP-UG122-CE-400V-G-3	
Title		SAL-1HP-UG122	
Elec. Parts Layout & Wiring Diagram		G	
Version	Approved by	Designer	Proofread by
Date	20200613	Checked by	Modified date
Mark	After modification	Modified by	Modify date
Scale	Standard	CE	Page 3
Voltage	Frequency	3φ4.00V	Totally 4 Pages
50HZ			





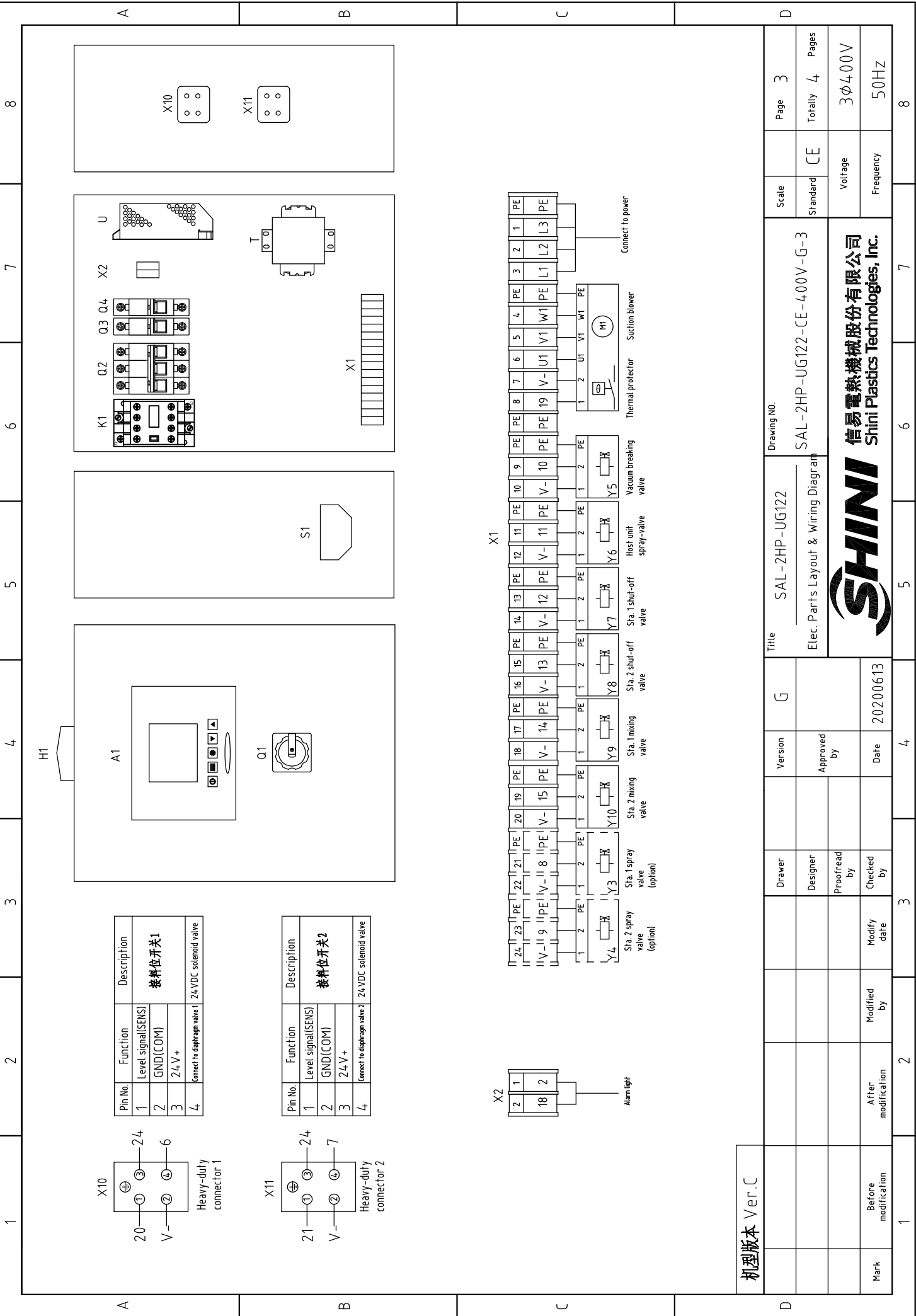
机型版本 Ver.C

Suction Blower

P=1.5KW
IN=3.6A

Title		SAL-2HP-UG122		Drawing NO.		SAL-2HP-UG122-CE-4.00V-G-1		Scale		Page 1	
Version		G		Approved by		Date		Standard		CE	
Designer		Proofread by		Checked by		Modified date		Voltage		3φ4.00V	
Mark		After modification		Before modification		Modify date		Frequency		50Hz	
Date		20200613		Date		20200613		Voltage		3φ4.00V	
Date		20200613		Date		20200613		Frequency		50Hz	
Date		20200613		Date		20200613		Frequency		50Hz	





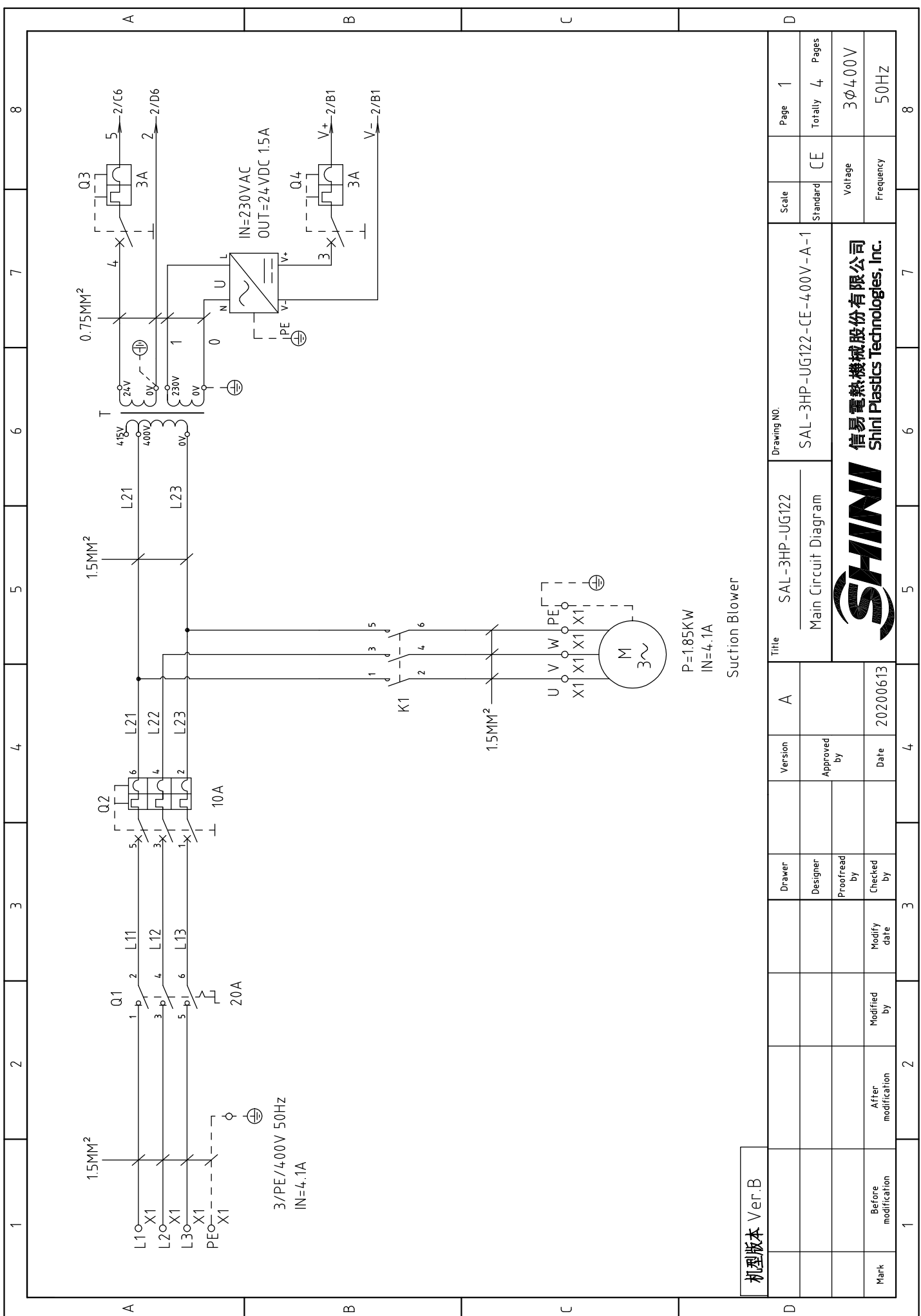
Pin No.	Function	Description
1	Level signal(SENS)	接料位开关1
2	GND(COM)	
3	24V+	
4	Connect to diaphragm valve 1	

Pin No.	Function	Description
1	Level signal(SENS)	接料位开关2
2	GND(COM)	
3	24V+	
4	Connect to diaphragm valve 2	

Mark	Before modification	Modified by	Modify date	Checked by	Date	Approved by	Version	G	Title	SAL-2HP-UG122	Scale	Page
机型版本 Ver.C					20200613			G	SAL-2HP-UG122	SAL-2HP-UG122-CE-4.00V-G-3	CE	3
									Elec. Parts Layout & Wiring Diagram		Standard	Totally 4
									Voltage			Pages
									Frequency			3φ4.00V
												50HZ

SHINI
 信易電熱機械股份有限公司
 Shini Plastics Technologies, Inc.

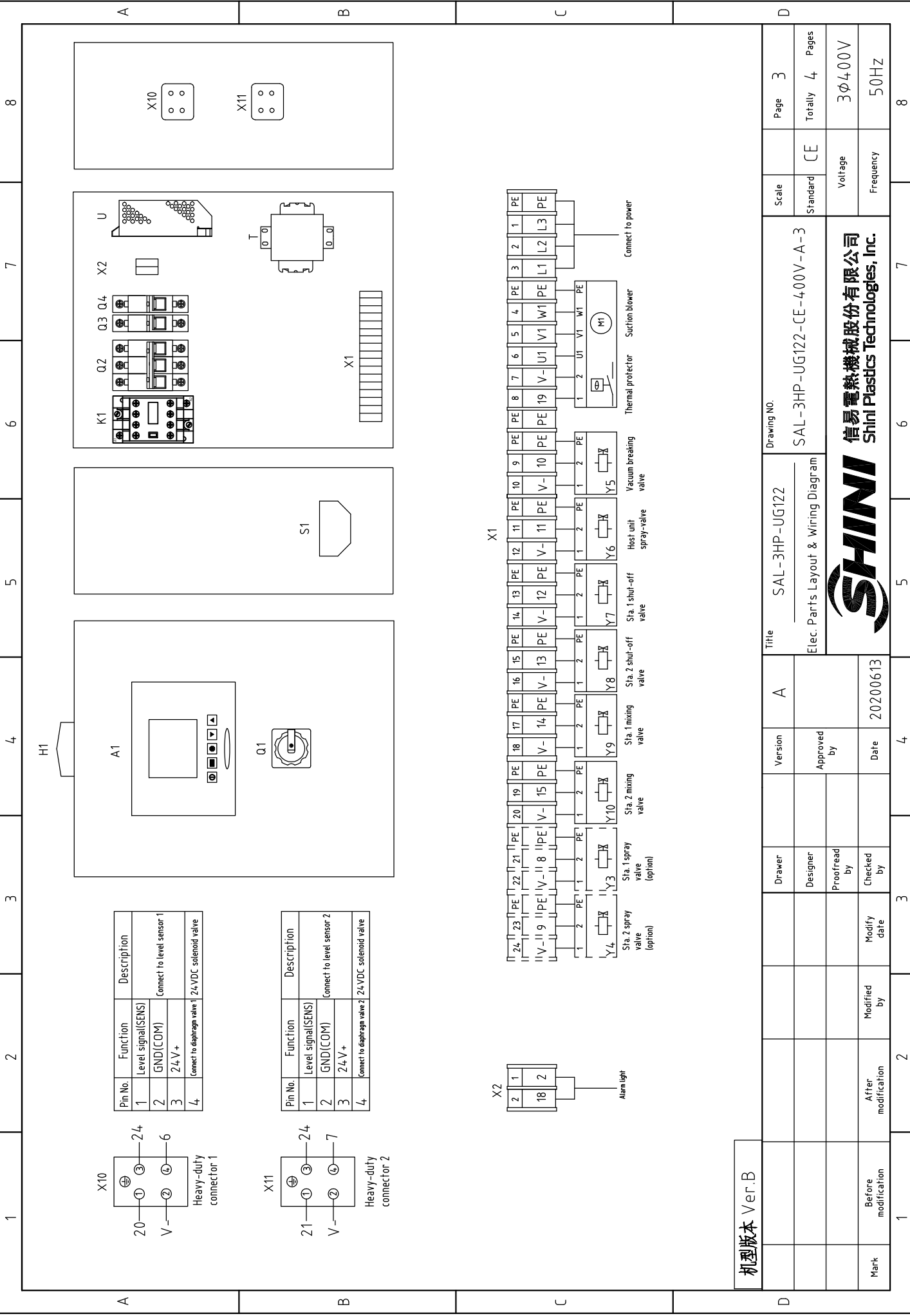
1		2		3		4		5		6		7		8	
N0	Symbol	Name	Manufacturer	Type	Specification	Number	Material number	Remark							
1	Q1	Main switch	EATON	T0-2-1/EA/SVB	20A	1	YE10021160000								
2	Q2	Circuit-breakers	TECO	BM-63C/3010S	10A	1	YE40301003000								
3	Q3 Q4	Circuit-breakers	TECO	BM-63C/1003S	3A 1P	2	YE40100203000								
4	K1	Contactoer	SCHNEIDER	LC1-D09B7C	24V 50/60Hz	1	YE00972400000								
5	A1	Controllor	YUYUN	CS4	24VAC/DC	1	YE80042401200								
6	S1	RS-485 comm. interface plate	YUYUN	---	Dsub-9pin connector	1	YE90048501200								
7		Shell RS-485(SAL-700G-A-19)ver.0	---	---	---	1	YR40048500000								
8		9 pin-series interface connector (male) with shell and screw	---	---	---	1	YE62090000000								
9	H1	Alarm light	SHINI	SWI-T	24VAC/DC	1	BL90000011520								
10	T	Transformer	JIUXIN	400V/415V OUT=24V /230V	50VA 500MA	1	YE70040007100								
11	U	DC power	---	S-35-24	24VDC 15A	1	YE71352400000								
12	X1 X2	Wiring terminal	HONEYWELL	SK2.5	2.5mm ²	20	YE60002503200								
13		Wiring terminal	HONEYWELL	GK2.5PE	2.5PE	8	YE60002503400								
14		Wiring terminal	HONEYWELL	SK2.5	2.5mm ²	4	YE60002503200	(2)							
15		Wiring terminal	HONEYWELL	GK2.5PE	2.5PE	2	YE60002503400	(2)							
16		Terminal fittings E/GK series	HONEYWELL	---	PCS	6	YE60000003900								
17	X10 X11	Heavy duty connectors	HARTING	Han E-4F(female)	4P	2	YE68000401400								
18	M	Blower	SHINI	RB-420 (with thermal protector)	2HP 4-00V 50HZ	1	---	(1)							
19	Y1~Y10	Solenoid valve	AIRTAC	---	24VDC	10	---	(1)							
20	S2 S3	Photosensor switch	FOTEK	MT-4MNO-30VDC	10...30VDC	2	---	(1) SVH							
21		Reed switch	SONON	BN12-30BLA	24VDC	2	---	(1) SMH							
<p>机型版本 Ver.C Notes: (1)Installation not in the control box; (2) Hopper optional spray valve;</p>															
D		Title		SAL-2HP-UG122		Drawing NO.		SAL-2HP-UG122-CE-400V-G-4		Scale		Page		4	
		Version		G		Electrical Parts List 1		Standard		CE		Voltage		3φ4.00V	
		Approved by						Frequency		50HZ		Totaly		4	
Mark		Before modification		Modified by		Modify date		Date		20200613		SHINI		信易電熱機械股份有限公司 Shini Plastics Technologies, Inc.	
1		2		3		4		5		6		7		8	



机型版本 Ver.B

Suction Blower

Title		SAL-3HP-UG122		Drawing NO.		SAL-3HP-UG122-CE-400V-A-1		Scale		Page 1	
Version		A		Approved by		Date		Standard		CE	
Designer		Proofread by		Checked by		Modify date		Voltage		3φ400V	
After modification		Before modification		Date		20200613		Frequency		50Hz	
Mark		Modified by		Date		20200613		Voltage		3φ400V	
1		2		3		4		5		6	
7		8		9		10		11		12	
13		14		15		16		17		18	
19		20		21		22		23		24	
25		26		27		28		29		30	
31		32		33		34		35		36	
37		38		39		40		41		42	
43		44		45		46		47		48	
49		50		51		52		53		54	
55		56		57		58		59		60	
61		62		63		64		65		66	
67		68		69		70		71		72	
73		74		75		76		77		78	
79		80		81		82		83		84	
85		86		87		88		89		90	
91		92		93		94		95		96	
97		98		99		100		101		102	
103		104		105		106		107		108	
109		110		111		112		113		114	
115		116		117		118		119		120	
121		122		123		124		125		126	
127		128		129		130		131		132	
133		134		135		136		137		138	
139		140		141		142		143		144	
145		146		147		148		149		150	
151		152		153		154		155		156	
157		158		159		160		161		162	
163		164		165		166		167		168	
169		170		171		172		173		174	
175		176		177		178		179		180	
181		182		183		184		185		186	
187		188		189		190		191		192	
193		194		195		196		197		198	
199		200		201		202		203		204	
205		206		207		208		209		210	
211		212		213		214		215		216	
217		218		219		220		221		222	
223		224		225		226		227		228	
229		230		231		232		233		234	
235		236		237		238		239		240	
241		242		243		244		245		246	
247		248		249		250		251		252	
253		254		255		256		257		258	
259		260		261		262		263		264	
265		266		267		268		269		270	
271		272		273		274		275		276	
277		278		279		280		281		282	
283		284		285		286		287		288	
289		290		291		292		293		294	
295		296		297		298		299		300	
301		302		303		304		305		306	
307		308		309		310		311		312	
313		314		315		316		317		318	
319		320		321		322		323		324	
325		326		327		328		329		330	
331		332		333		334		335		336	
337		338		339		340		341		342	
343		344		345		346		347		348	
349		350		351		352		353		354	
355		356		357		358		359		360	
361		362		363		364		365		366	
367		368		369		370		371		372	
373		374		375		376		377		378	
379		380		381		382		383		384	
385		386		387		388		389		390	
391		392		393		394		395		396	
397		398		399		400		401		402	
403		404		405		406		407		408	
409		410		411		412		413		414	
415		416		417		418		419		420	
421		422		423		424		425		426	
427		428		429		430		431		432	
433		434		435		436		437		438	
439		440		441		442		443		444	
445		446		447		448		449		450	
451		452		453		454		455		456	
457		458		459		460		461		462	
463		464		465		466		467		468	
469		470		471		472		473		474	
475		476		477		478		479		480	
481		482		483		484		485		486	
487		488		489		490		491		492	
493		494		495		496		497		498	
499		500		501		502		503		504	
505		506		507		508		509		510	
511		512		513		514		515		516	
517		518		519		520		521		522	
523		524		525		526		527		528	
529		530		531		532		533		534	
535		536		537		538		539		540	
541		542		543		544		545		546	
547		548		549		550		551		552	
553		554		555		556		557		558	
559		560		561		562		563		564	
565		566		567		568		569		570	
571		572		573		574		575		576	
577		578		579		580		581		582	
583		584		585		586		587		588	
589		590		591		592		593		594	
595		596		597		598		599		600	
601		602		603		604		605		606	
607		608		609		610		611		612	
613		614		615		616		617		618	
619		620		621		622		623		624	
625		626		627		628		629		630	
631		632		633		634		635		636	
637		638		639		640		641		642	
643		644		645		646		647		648	
649		650		651		652		653		654	
655		656		657		658		659		660	
661		662		663		664		665		666	
667		668		669		670		671		672	
673		674		675		676		677		678	
679		680		681		682		683		684	
685		686		687		688		689		690	
691		692		693		694		695		696	
697		698		699		700		701		702	
703		704		705		706		707		708	
709		710		711		712		713		714	
715		716		717		718		719		720	
721		722		723		724		725		726	
727		728		729		730		731		732	
733		734		735		736		737		738	
739		740		741		742		743		744	
745		746		747		748		749		750	
751		752		753		754		755		756	
757		758		759		760		761		762	
763		764		765		766		767		768	
769		770		771		772		773		774	
775		776		777		778		779		780	
781		782		783		784		785		786	
787		788		789		790		791		792	
793		794		795		796		797		798	
799		800		801		802		803		804	
805		806		807		808		809		810	
811		812		813		814		815		816	
817		818		819		820		821		822	
823		824		825		826		827		828	
829		830		831		832		833		834	
835		836		837		838		839		840	
841		842		843		844		845		846	
847		848		849		850		851		852	
853		854		855		856		857		858	
859		860		861		862		863		864	
865		866		867		868		869		870	
871		872		873		874		875		876	
877		878		879		880		881		882	
883		884		885		886					



Pin No.	Function	Description
1	Level signal(SENS)	
2	GND(COM)	Connect to level sensor 1
3	24.V+	
4	Connect to diaphragm valve 1	24-VDC solenoid valve

Pin No.	Function	Description
1	Level signal(SENS)	
2	GND(COM)	Connect to level sensor 2
3	24.V+	
4	Connect to diaphragm valve 2	24-VDC solenoid valve

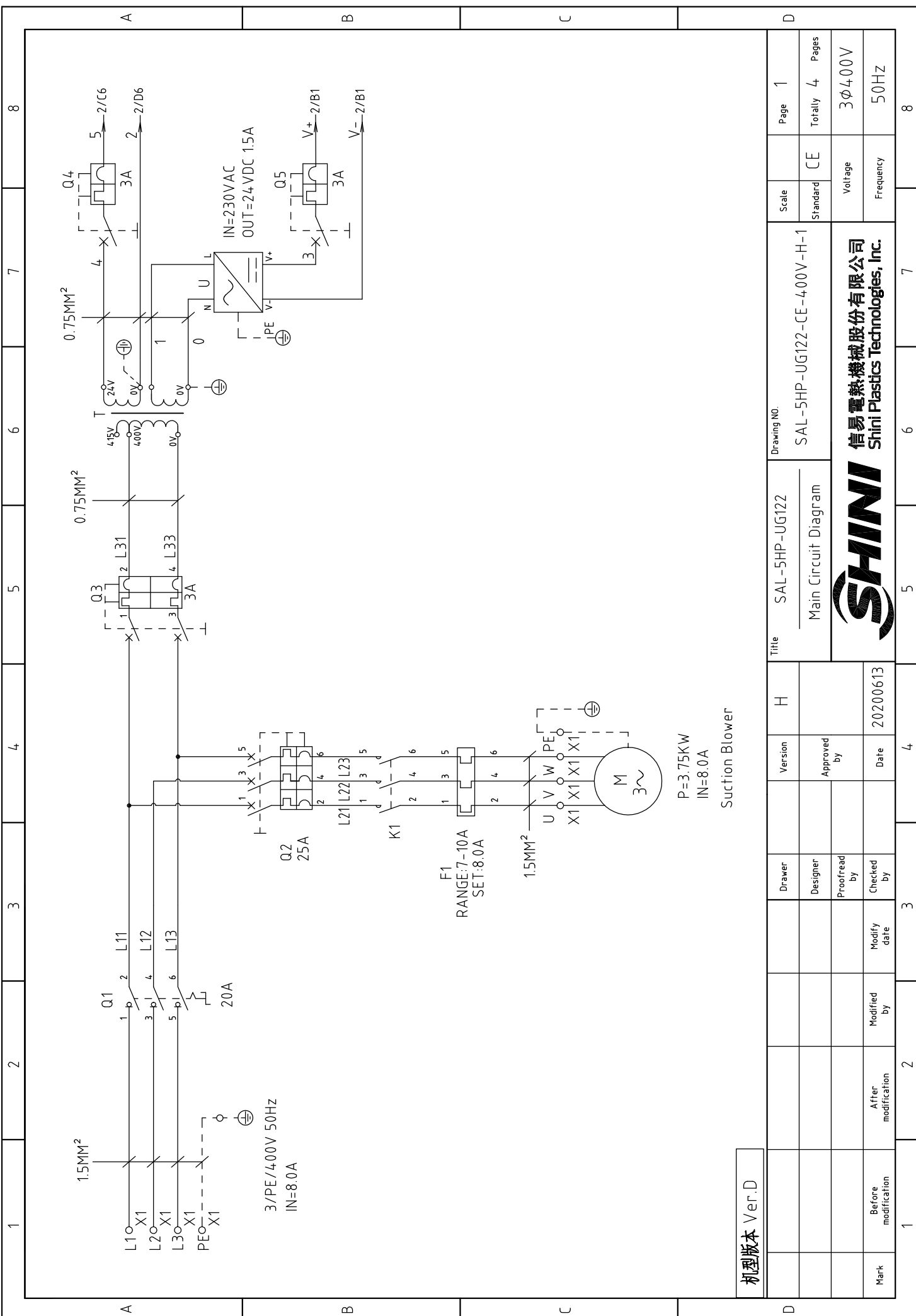
机型版本 Ver.B

Title		Drawing NO.	
SAL-3HP-UG122		SAL-3HP-UG122-CE-400V-A-3	
Elec. Parts Layout & Wiring Diagram		Scale	Page
		Standard	Totally
		CE	4
		Voltage	3Φ400V
		Frequency	50Hz
Mark		8	
After modification		7	
Modified by		6	
Modify date		5	
Checked by		4	
Date		20200613	
Proofread by		3	
Designer		Version	
Approved by		A	
Drawer		Title	
		SAL-3HP-UG122	



1		2		3		4		5		6		7		8	
NO	Symbol	Name	Manufacturer	Type	Specification	Number	Material number	Remark							
A															
1	Q1	Main switch	EATON	T0-2-1/EA/SVB	20A	1	YE10021160000								
2	Q2	Circuit breakers	TECO	BM-63C/3010S	10A	1	YE40301003000								
3	Q3 Q4	Circuit breakers	TECO	BM-63C/1003S	3A 1P	2	YE40100203000								
4	K1	Contactors	SCHNEIDER	LC1-D09B7C	24V 50/60Hz	1	YE00972400000								
5	A1	Controllor	YUYUN	CS4	24VAC/DC	1	YE80042401200								
6	S1	RS-485 comm. interface plate	YUYUN	---	Dsub-9pin connector	1	YE90048501200								
7		Shell RS-485(SAL-700G-A-19)ver.0	---	---	---	1	YR40048500000								
8		9 pin-series interface connector (male) with shell and screw	---	---	---	1	YE62090000000								
9	H1	Alarm light	SHINI	SWI-T	24VAC/DC	1	BL90000011520								
10	T	Transformer	JIUXIN	400V/415V OUT=24V /230V	50VA 500MA	1	YE70040007100								
11	U	DC power	---	S-35-24	24VDC 1.5A	1	YE71352400000								
12	X1 X2	Wiring terminal	HONEYWELL	SK2.5	2.5mm ²	20	YE60002503200								
13		Wiring terminal	HONEYWELL	GK2.5PE	2.5PE	8	YE60002503400								
14		Wiring terminal	HONEYWELL	SK2.5	2.5mm ²	4	YE60002503200	(2)							
15		Wiring terminal	HONEYWELL	GK2.5PE	2.5PE	2	YE60002503400	(2)							
16		Terminal fittings E/GK series	HONEYWELL	---	PCS	6	YE60000003900								
17	X10 X11	Heavy duty connectors	HARTING	Han E-4F(female)	4P	2	YE68000401400								
18	M	Blower	SHINI	RB-420 (with thermal protector)	3HP 400V 50HZ	1	---	(1)							
19	Y1~Y10	Solenoid valve	AIRTAC	---	24VDC	10	---	(1)							
20	S2 S3	Photosensor switch	FOTEK	MT-4MNO-30VDC	10...30VDC	2	---	(1) SVH							
21		Reed switch	SONON	BN12-30BLA	24VDC	2	---	(1) SMH							
C															
D															
机型版本 Ver.B															
Notes: (1)Installation not in the control box; (2) Hopper optional spray valve;															
Drawing NO.															
Title SAL-3HP-UG122															
Electrical Parts List 1															
SAL-3HP-UG122-CE-400V-A-4															
Scale															
Standard CE															
Voltage															
Frequency															
Page 4															
Totally 4 Pages															
3φ4.00V															
50HZ															
8															





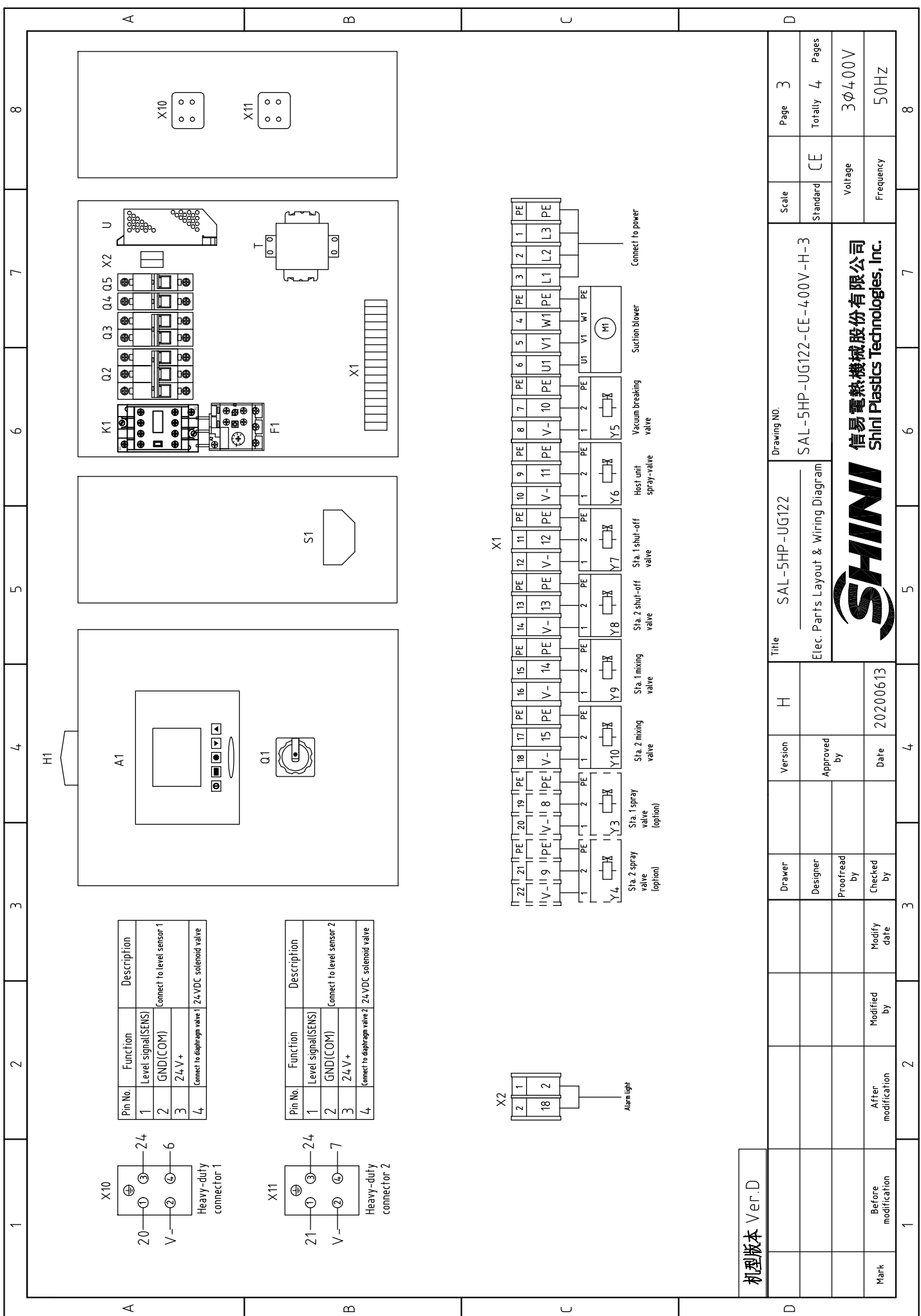
机型版本 Ver.D

Suction Blower

P=3.75KW
IN=8.0A

Title		SAL-5HP-UG122		Drawing NO.		SAL-5HP-UG122-CE-400V-H-1		Page		1	
Main Circuit Diagram								Scale		CE	
								Standard		Totally 4 Pages	
								Voltage		3φ400V	
								Frequency		50Hz	
Mark		Before modification		Modified by		Date		20200613			
								Version		H	
								Approved by			
								Checked by			
								Date		20200613	
								Date		20200613	
								Date		20200613	
								Date		20200613	

SHINI
信易電熱機械股份有限公司
Shini Plastics Technologies, Inc.



Pin No.	Function	Description
1	Level signal(SENS)	
2	GND(COM)	Connect to level sensor 1
3	24 V +	
4	Connect to diaphragm valve 1	24-VDC solenoid valve

Pin No.	Function	Description
1	Level signal(SENS)	
2	GND(COM)	Connect to level sensor 2
3	24 V +	
4	Connect to diaphragm valve 2	24-VDC solenoid valve

机型版本 Ver.D

Mark	After modification	Modified by	Modify date	Checked by	Date	Proofread by	Designer	Drawer	Version	H	Drawing NO.		Page
											Title	SAL-5HP-UG122	
											SAL-5HP-UG122-CE-400V-H-3		Totally 4
											Elec. Parts Layout & Wiring Diagram		Pages
					20200613						Voltage		3Φ400V
											Frequency		50HZ

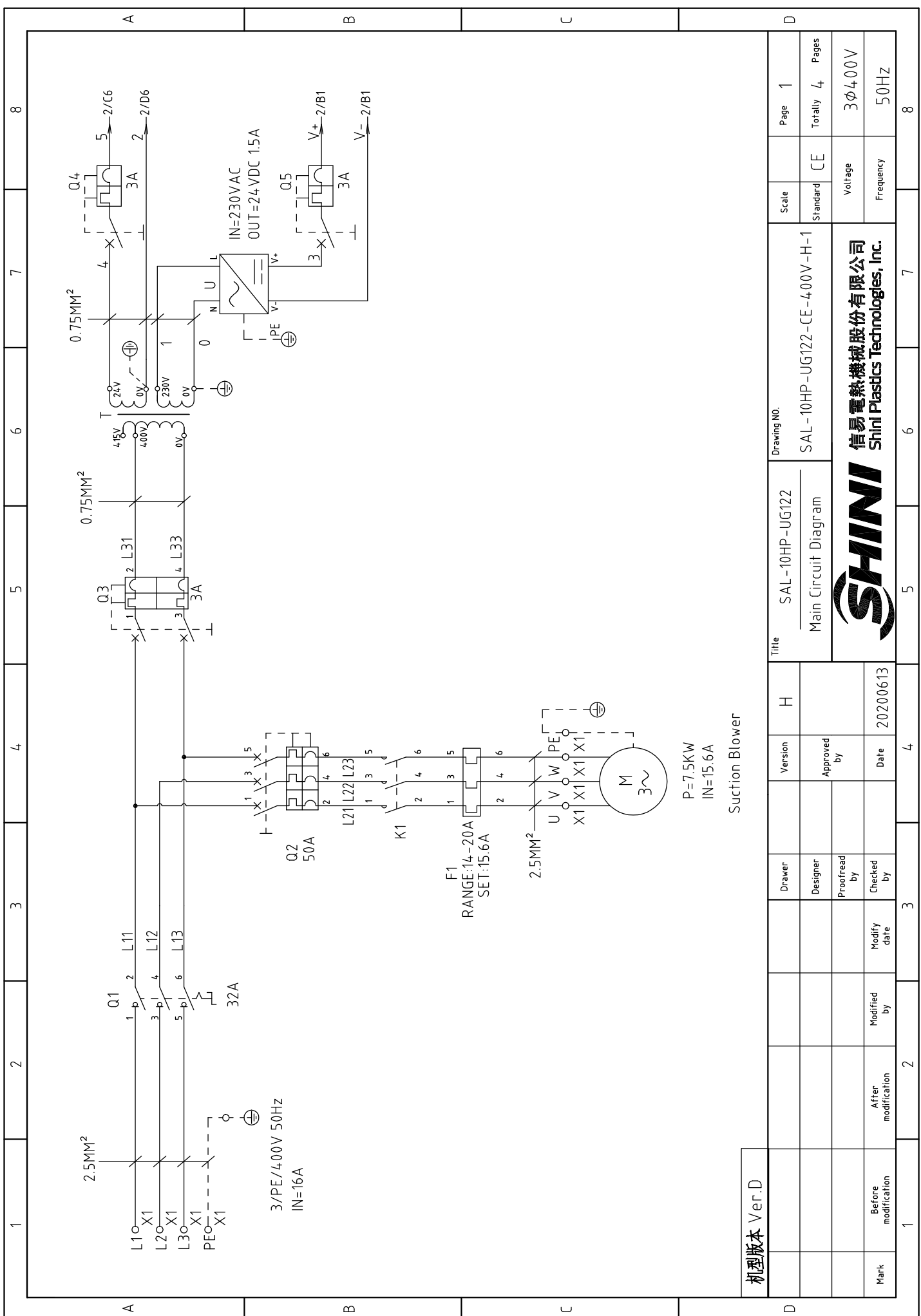


信易電熱機械股份有限公司
Shini Plastics Technologies, Inc.

1		2		3		4		5		6		7		8	
NO	Symbol	Name	Manufacturer	Type	Specification	Number	Material number	Remark							
1	Q1	Main switch	EATON	TO-2-1/EA/SVB	20A	1	YE10021160000								
2	Q2	Circuit breakers	TECO	BM-63C/3025S	25A	1	YE40302503000								
3	Q3	Circuit breakers	TECO	BM-63C/2003S	3A 2P	1	YE40200203000								
4	Q4 Q5	Circuit breakers	TECO	BM-63C/1003S	3A 1P	2	YE40100203000								
5	K1	Contactors	SIEMENS	3RT6017-1AB01	24VAC	1	YE00601702500								
6	F1	Thermal overload relays	SIEMENS	3RU6116-1JB0	7-10A	1	YE01167100000								
7	A1	Controller	YUYUN	CS4	24VAC/DC	1	YE80042401200								
8	S1	RS-485 comm. interface plate	YUYUN	---	Dsub-9pin connector	1	YE90048501200								
9		Shell RS-485(SAL-700G-A-19)ver.0	---	---	---	1	YR40048500000								
10		9 pin-series interface connector (male) with shell and screw	---	---	---	1	YE62090000000								
11	H1	Alarm light	SHINI	SWI-T	24VAC/DC	1	BL90000011520								
12	T	Transformer	JIUXIN	400V/415V OUT=24V /230V	50VA 500MA	1	YE70040007100								
13	U	DC power	---	S-35-24	24VDC 1.5A	1	YE71352400000								
14	X1 X2	Wiring terminal	HONEYWELL	SK2.5	2.5mm ²	20	YE60002503200								
15		Wiring terminal	HONEYWELL	GK2.5PE	2.5PE	8	YE60002503400								
16		Wiring terminal	HONEYWELL	SK2.5	2.5mm ²	4	YE60002503200	(2)							
17		Wiring terminal	HONEYWELL	GK2.5PE	2.5PE	2	YE60002503400	(2)							
18		Terminal fittings E/GK series	HONEYWELL	---	PCS	6	YE60000003900								
19	X10 X11	Heavy duty connectors	HARTING	Han E-4F(female)	4P	2	YE68000401400								
20	M	Blower	SHINI	RB-550	5HP 400V 50HZ	1	---	(1)							
21	Y1~Y10	Solenoid Valve	AIRTAC	---	24VDC	10	---	(1)							
22	S2 S3	Photosensor switch	FOTEK	MT-4MN0-30VDC	10...30VDC	2	---	(1) SVH							
23		Reed switch	SONON	BN12-30BLA	24VDC	2	---	(1) SMH							
机型版本 Ver.D															
Notes: (1)Installation not in the control box; (2) Hopper optional spray valve;															
		Drawer		Version		H		Title		Drawing NO.		Scale		Page	
		Designer		Approved by				SAL-5HP-UG122		SAL-5HP-UG122-CE-400V-H-4		Standard		Totally 4	
		Proofread by		Date		20200613		Electrical Parts List 1		CE		Voltage		Pages	
Mark		Before modification		Modified by		Modify date				Frequency		3φ400V		50HZ	
1		2		3		4		5		6		7		8	



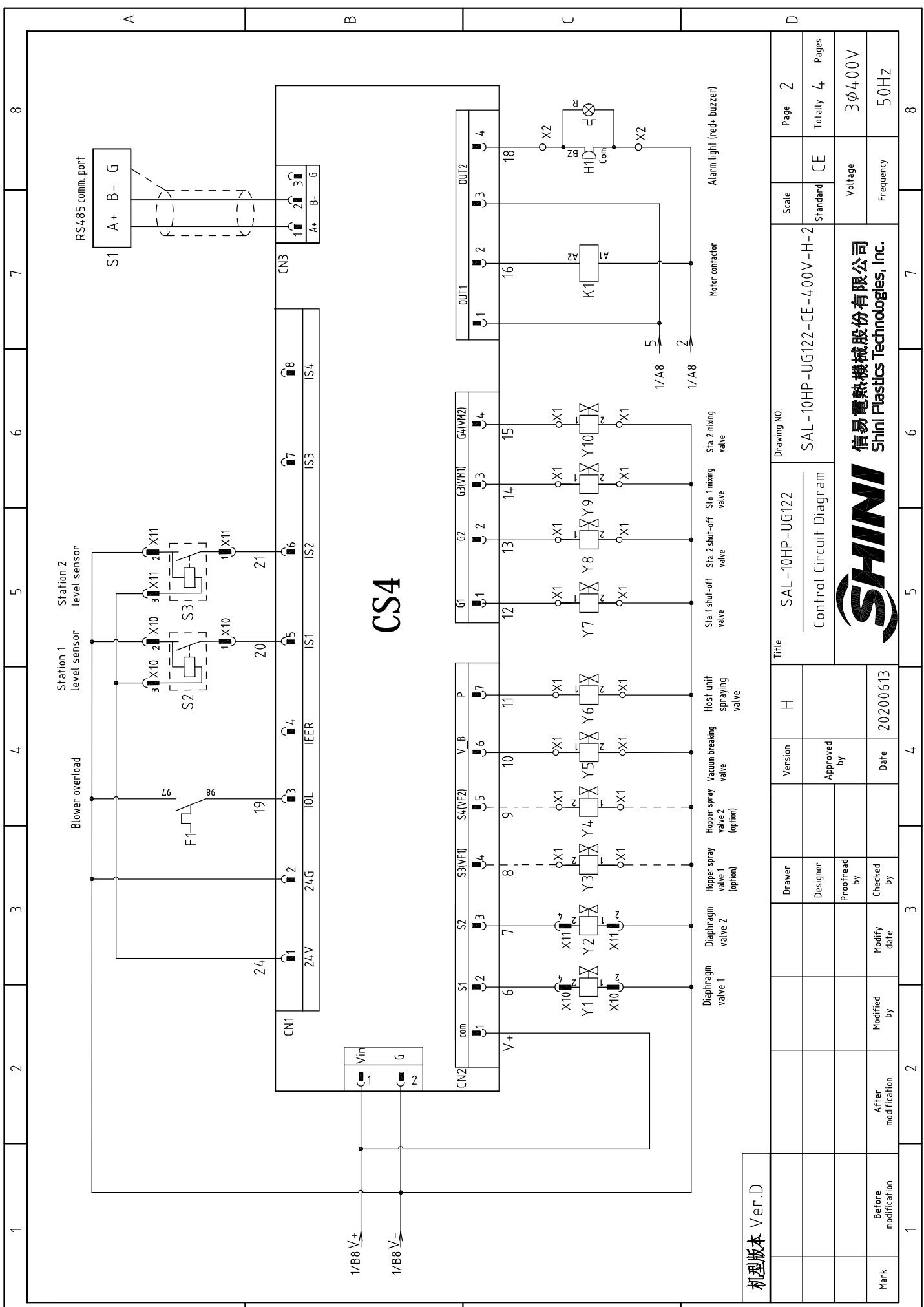
信易電熱機械股份有限公司
Shini Plastics Technologies, Inc.



机型版本 Ver.D

Suction Blower

Mark	Before modification	Modified by	Modify date	Approved by	Date	Version	H	Title	Drawing NO.	Scale	Page
	After modification									Standard	1
<p>SAL-10HP-UG122-CE-400V-H-1</p> <p>Main Circuit Diagram</p>										CE	Totally 4
<p>SHINI 信易電熱機械股份有限公司 Shini Plastics Technologies, Inc.</p>										Voltage	3φ400V
										Frequency	50Hz
											8



CS4

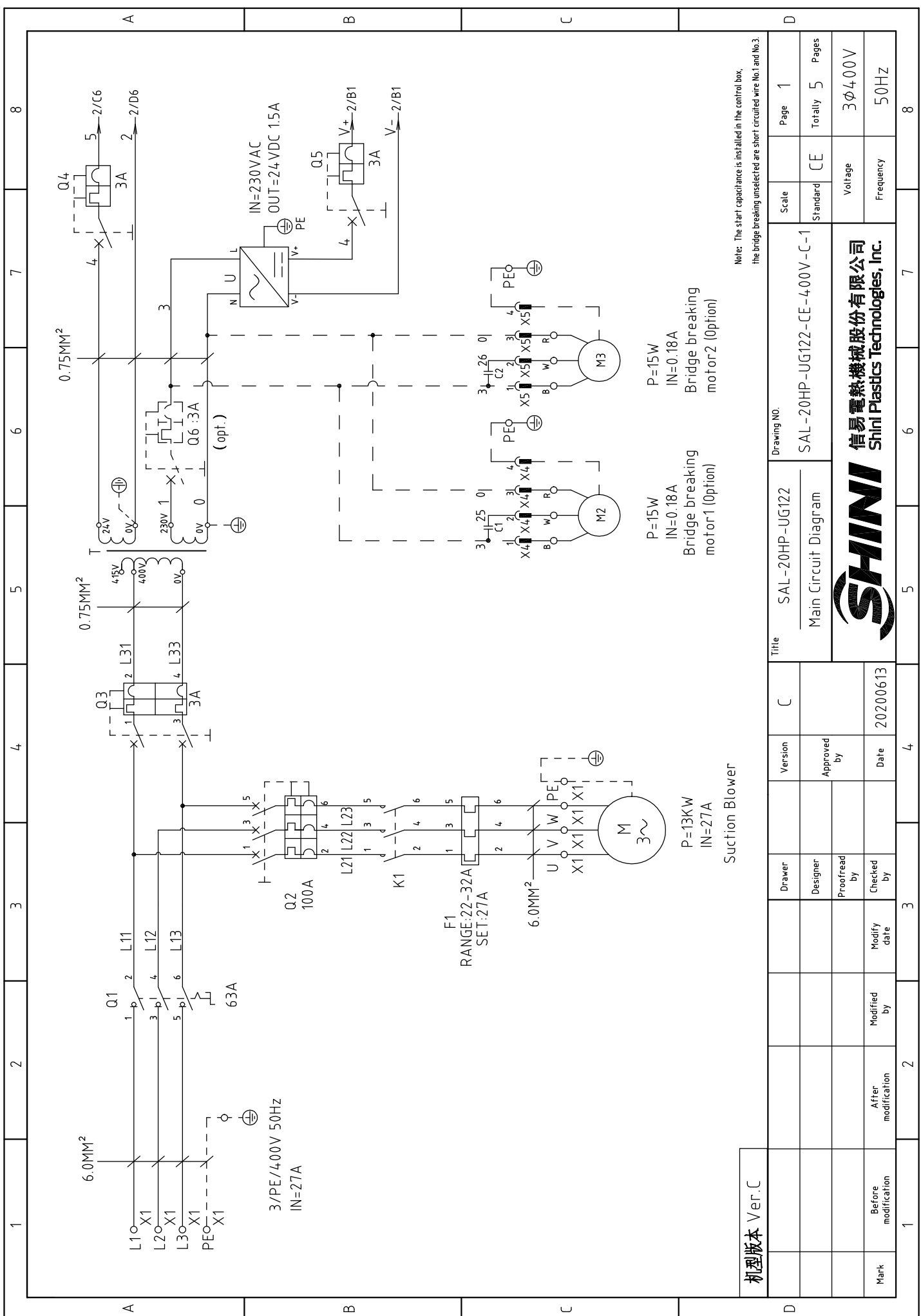
机型版本 Ver.D

1	2	3	4	5	6	7	8
Title		SAL-10HP-UG122		SAL-10HP-UG122-CE-400V-H-2		Drawing NO.	
Version		H		Control Circuit Diagram		Scale	
Approved by		Approved by		Control Circuit Diagram		Standard	
Date		20200613		Control Circuit Diagram		Voltage	
Modified by		Modified by		Control Circuit Diagram		Frequency	
Before modification		Before modification		Control Circuit Diagram		3Φ400V	
After modification		After modification		Control Circuit Diagram		50HZ	
Mark		Mark		Control Circuit Diagram		Page	
				Control Circuit Diagram		2	
				Control Circuit Diagram		Totally	
				Control Circuit Diagram		4	
				Control Circuit Diagram		Pages	
				Control Circuit Diagram		3	
				Control Circuit Diagram		8	



1		2		3		4		5		6		7		8	
N0	Symbol	Name	Manufacturer	Type	Specification	Number	Material number	Remark							
1	Q1	Main switch	EATON	P1-32/EA/SVB	32A	1	YE10323200000								
2	Q2	Circuit breakers	TECO	BM-63C/3050S	50A	1	YE40305003000								
3	Q3	Circuit breakers	TECO	BM-63C/2003S	3A 2P	1	YE40200203000								
4	Q4 Q5	Circuit breakers	TECO	BM-63C/1003S	3A 1P	2	YE40100203000								
5	K1	Contactors	SIEMENS	3RT6026-1AC20	24VAC	1	YE00602602600								
6	F1	Thermal overload relays	SIEMENS	3RU6126-4BB0	14-20A	1	YE01260140000								
7	A1	Controller	YUYUN	CS4	24VAC/DC	1	YE80042401200								
8	S1	RS-485 comm. interface plate	YUYUN	---	Dsub-9pin connector	1	YE90048501200								
9		Shell RS-485(SAL-700G-A-19)ver.0	---	---	---	1	YR40048500000								
10		9 pin-series interface connector (male) with shell and screw	---	---	---	1	YE62090000000								
11	H1	Alarm light	SHINI	SWI-T	24VAC/DC	1	BL90000011520								
12	T	Transformer	JIUXIN	400V/415V OUT=24V /230V	50VA 500MA	1	YE70040007100								
13	U	DC power	---	S-35-24	24VDC 1.5A	1	YE71352400000								
14	X1 X2	Wiring terminal	HONEYWELL	SK2.5	2.5mm ²	20	YE60002503200								
15		Wiring terminal	HONEYWELL	GK2.5PE	2.5PE	8	YE60002503400								
16		Wiring terminal	HONEYWELL	SK2.5	2.5mm ²	4	YE60002503200	(2)							
17		Wiring terminal	HONEYWELL	GK2.5PE	2.5PE	2	YE60002503400	(2)							
18		Terminal fittings E/GK series	HONEYWELL	---	PCS	6	YE60000039000								
19	X10 X11	Heavy duty connectors	HARTING	Han E-4F(female)	4P	2	YE68000401400								
20	M	Blower	SHINI	RB-850	10HP 400V 50HZ	1	---	(1)							
21	Y1-Y10	Solenoid Vavle	AIRTAC	---	24VDC	10	---	(1)							
22	S2 S3	Photosensor switch	FOTEK	MT-4MNO-30VDC	10...30VDC	2	---	(1) SVH							
23		Reed switch	SONON	BN12-30BLA	24VDC	2	---	(1) SMH							
机版本 Ver.D Notes: (1)Installation not in the control box; (2) Hopper optional spray valve;															
		Drawer	Version	H	Title		Drawing NO.		Scale		Page		4		
		Designer	Approved by	SAL-10HP-UG122		SAL-10HP-UG122-CE-400V-H-4		Standard		CE		Voltage		3Φ4.00V	
		Proofread by	Date	Electrical Parts List 1				Frequency		50HZ					
Mark		After modification	Modified by	Modified date	20200613										
1		2		3		4		5		6		7		8	





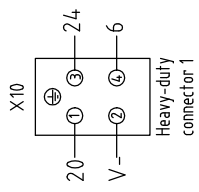
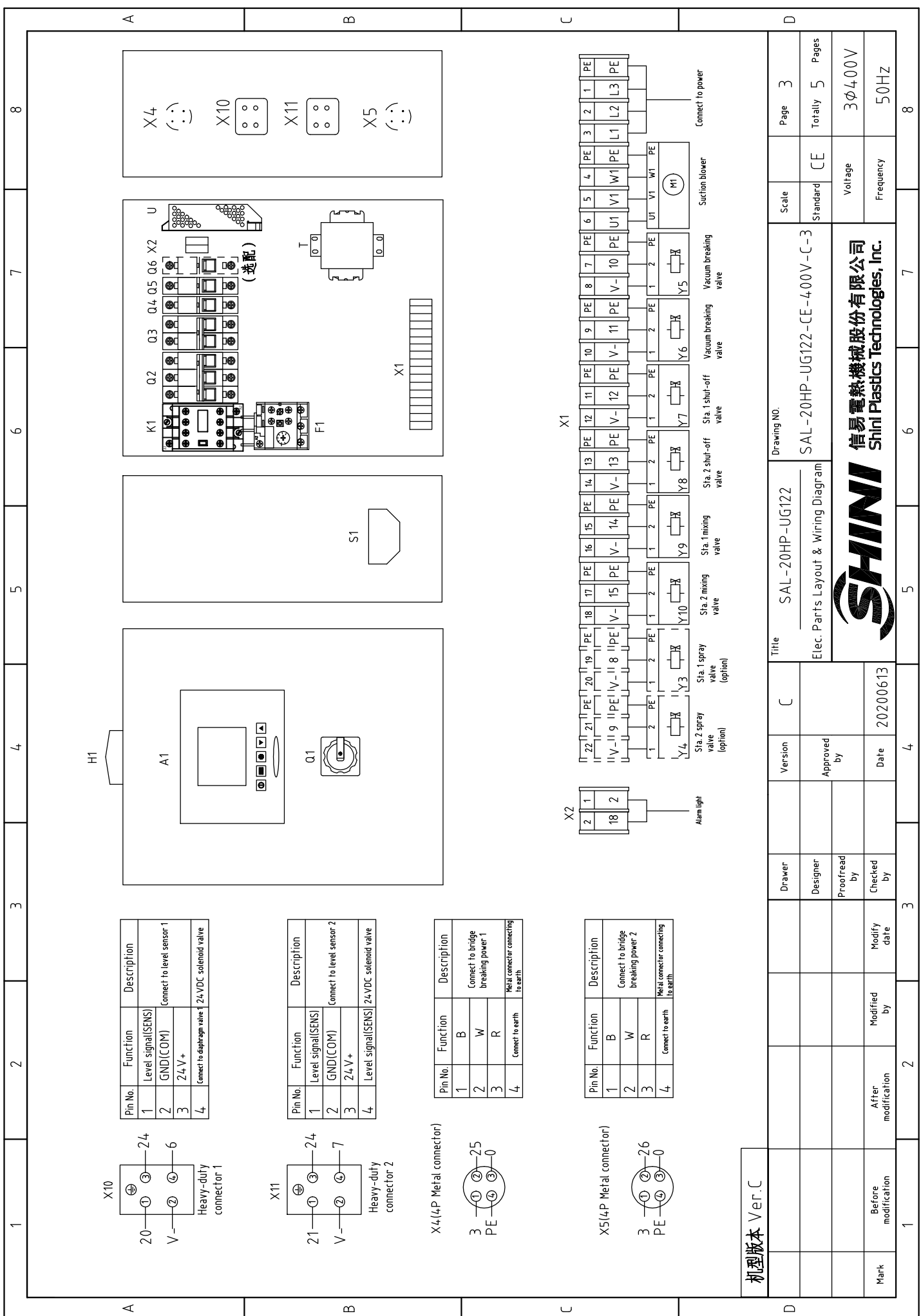
Note: The start capacitance is installed in the control box, the bridge breaking unselected are short circuited wire No.1 and No.3.

机型号版本	Ver.C
Mark	Before modification
	After modification
	Modify date
	Checked by
	Proofread by
	Designer
	Version
	Drawer

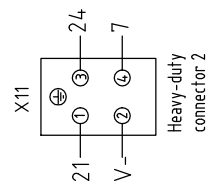
Title		SAL-20HP-UG122	
Main Circuit Diagram		Drawing NO.	
C		SAL-20HP-UG122-CE-400V-C-1	
Date		20200613	
Approved by			

Scale	Page	1
Standard	Totally	5
CE	Pages	
Voltage	3φ	400V
Frequency		50HZ

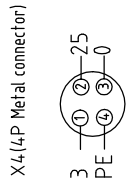




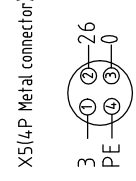
Pin No.	Function	Description
1	Level signal(SENS)	
2	GND(COM)	Connect to level sensor 1
3	24 V +	
4	Connect to diaphragm valve 1	24-VDC solenoid valve



Pin No.	Function	Description
1	Level signal(SENS)	
2	GND(COM)	Connect to level sensor 2
3	24 V +	
4	Level signal(SENS)	24-VDC solenoid valve



Pin No.	Function	Description
1	B	
2	W	Connect to bridge breaking power 1
3	R	
4	Connect to earth	Metal connector connecting to earth



Pin No.	Function	Description
1	B	
2	W	Connect to bridge breaking power 2
3	R	
4	Connect to earth	Metal connector connecting to earth

机型版本 Ver.C

Title		SAL-20HP-UG122		Drawing NO.		SAL-20HP-UG122-CE-400V-C-3		Scale		Page 3	
Elec. Parts Layout & Wiring Diagram		Version		Approved by		Date		Standard		Totally 5 Pages	
Mark		After modification		Modified by		Modify date		Voltage		3φ4.00V	
1		2		3		4		Frequency		50Hz	
SHINI		SHINI		SHINI		SHINI		SHINI		SHINI	
信易電熱機械股份有限公司		Shini Plastics Technologies, Inc.		SHINI		SHINI		SHINI		SHINI	

1		2		3		4		5		6		7		8	
NO	Symbol	Name	Manufacturer	Type	Specification	Number	Material number	Remark							
A															
1	Q1	Main switch	EATON	P3-63/EA/SVB	63A	1	YE10636300000								
2	Q2	Circuit breakers	TECO	BM-100D/30100S	100A	1	YE40310003000								
3	Q3	Circuit breakers	TECO	BM-63C/2003S	3A 2P	1	YE40200203000								
4	Q4 Q5	Circuit breakers	TECO	BM-63C/1003S	3A 1P	2	YE40100203000								
5	Q6	Circuit breakers	TECO	BM-63C/1003S	3A 1P	1	YE40100203000	(3)							
6	K1	Contactors	SIEMENS	3RT6028-1AC20	24VAC	1	YE00602802600								
7	F1	Thermal overload relays	SIEMENS	3RU6126-4EB0	22-32A	1	YE01223200000								
8	A1	Controller	YUYUN	CS4	24VAC/DC	1	YE80042401200								
9	S1	RS-485 comm. interface plate	YUYUN	---	Dsub-9pin connector	1	YE90048501200								
10		Shell RS-485(SAL-700G-A-19)ver.0	---	---	---	1	YR40048500000								
B															
11		9 pin-series interface connector (male) with shell and screw	---	---	---	1	YE62090000000								
12	H1	Alarm light	SHINI	SWI-T	24VAC/DC	1	BL90000011520								
13	T	Transformer	JIUXIN	400V/415V OUT=24V /230V	80VA 500MA	1	YE70040003300								
14	U	DC power	---	S-35-24	24VDC 1.5A	1	YE71352400000								
15	X1 X2	Wiring terminal	HONEYWELL	GK6	6.0mm ²	6	YE60000603200								
16		Wiring terminal	HONEYWELL	GK6PE	6.0PE	2	YE60000603500								
17		Wiring terminal	HONEYWELL	SK2.5	2.5mm ²	14	YE60002503200								
18		Wiring terminal	HONEYWELL	GK2.5PE	2.5PE	6	YE60002503400								
19		Wiring terminal	HONEYWELL	SK2.5	2.5mm ²	4	YE60002503200	(2)							
20		Wiring terminal	HONEYWELL	GK2.5PE	2.5PE	2	YE60002503400	(2)							
21		Terminal fittings E/GK series	HONEYWELL	---	PCS	6	YE60000003900								
22	X10 X11	Heavy duty connectors	HARTING	Han E-4F(母)	4P	2	YE68000401400								
23	Y1~Y10	Solenoid Valve	AIRTAC	---	24VDC	10	---	(1)							
24	S2 S3	Photosensor switch	FOTEK	MT-4MNO-30VDC	10...30VDC	2	---	(1) SVH							
25		Reed switch	SONON	BN12-30BLA	24VDC	2	---	(1) SMH							
C															
D															
机型版本 Ver.C															
Notes: (1)Installation not in the control box; (2)Hopper optional spray valve; (3) Optional bridge breaking motor;															
		Title		SAL-20HP-UG122		Drawing NO.		SAL-20HP-UG122-CE-400V-C-4		Scale		Page		4	
		Version		C		Electrical Parts List 1		Standard		CE		Voltage		3Φ400V	
		Designer		Approved by		Date		Frequency		50HZ		Totaly		5	
		Proofread by		Checked by		20200613		Pages		3Φ400V		50HZ		8	
Mark		Before modification		Modified by		Modify date		Date		20200613		Frequency		50HZ	
SHINI 信易電熱機械股份有限公司 Shini Plastics Technologies, Inc.															

