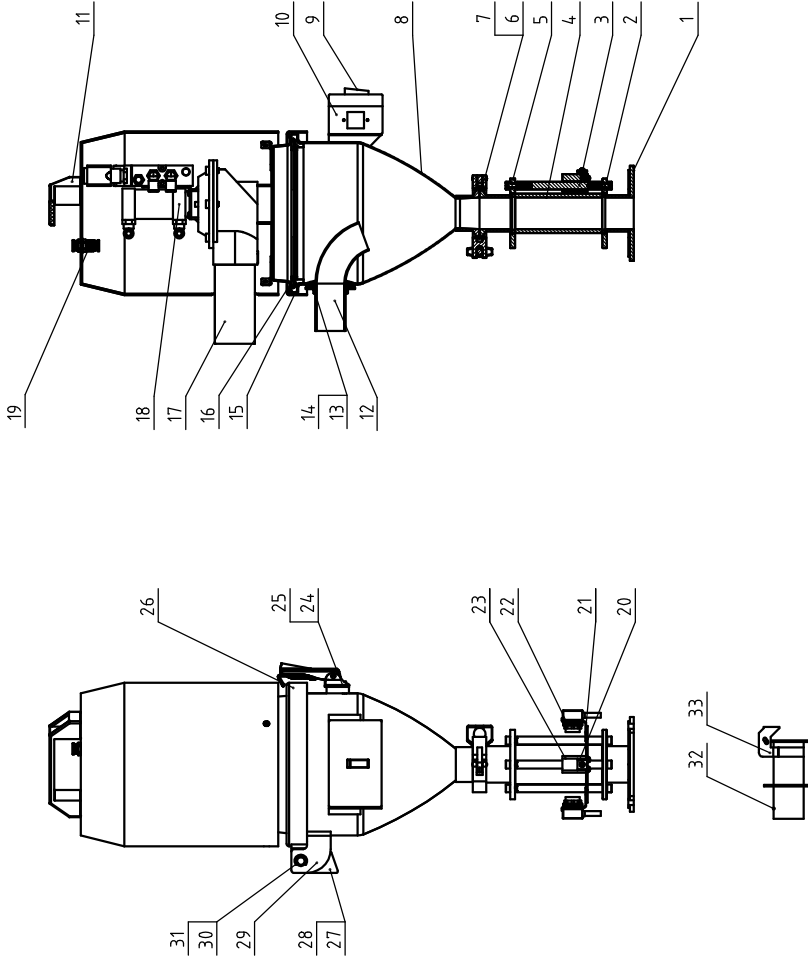








SHR-3U-ES assembly diagram and parts list.



“\*” indicates the items that may be damaged; “\*\*” indicates the items that are more likely to be damaged. It is recommended to back them up. Please confirm the version number of the instruction manual before placing an order to purchase spare parts, so as to ensure that the material number of spare parts is consistent with the physical one.

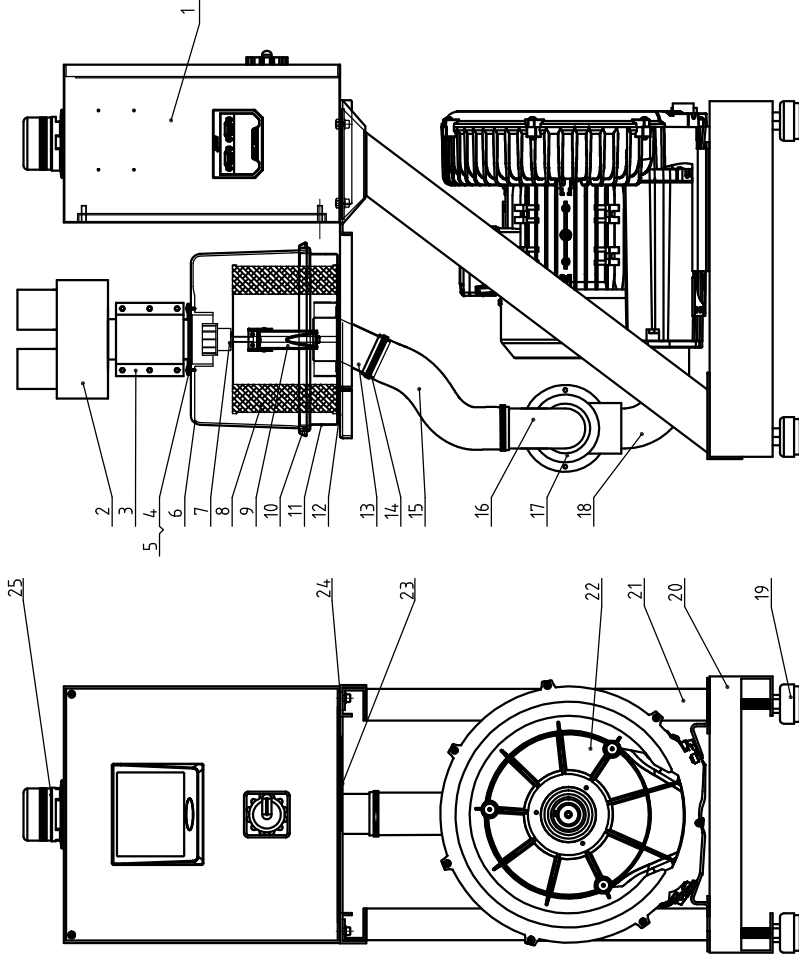
No.	Material number	Name	Scale	Mat.	Num.	Remarks
33		15" Back stop		Assembly	1	Opt.
32		Inlet pipe (with back stop)		SUS201	1	Opt.
31	YW66000600000	Open check ring GB/T896 6			2	
30	BH10006003110	Hinge pins SAL-6U-A-3(SUS201)		SUS201	1	
29	BL32061200040	Lower hinge SAL-6U-12(ver. All chrome plated)(0.19 kg)		SPCC3.0	1	
28	YW64000500000	Non-metal insert hexagon lock nut GB/T899.1H5			6	
27	BL32061100040	Upper hinge SAL-6U-11(ver. All chrome plated)(0.088kg)		SPCC3.0	1	
26		Hopper cover		Assembly	1	
25	YR400006000800	Snap hook plastic pads SAL-6U(white/has mould)		ABS	1	
24	YW02002000400	Snap hook SAL-6U-A-35*		Assembly	1	
23	BL9001000120	Photo sensor fixed piece base SAL-6U-ALL-100(accessible has mould)		YL112	1	
22	YE15183000900	Photo sensor switch TR-3MB-PE-4V-5V 10TEN*		Assembly	1	**
21		Photosensor fixed piece		SUS201	1	
20	YW31616200000	Photosensor pressing block SVH-6L-ALL-11 (ver. SUS201/has mould)		SUS201	1	
19	YW800008001500	Photo sensor cable wire connector APMB1ACT AGI		Assembly	1	
18	BY20382400050	Vacuum Separator SPDV-38024VDC		Assembly	1	
17		Suction pipe		SUS201	1	
16	BL21000300520	Filter screen SHR-3U-ES-A-08*		Assembly	1	
15	YR100015000000	Hopper fastener SAL-1U-E-ALL-06(has beehk)			1	
14	YR10150300000	Inlet pipe fastener SAL-1U-A-20(has mould)		Rubber	1	
13	YW64040700100	Non-metal insert hexagon lock nut GB/T899.1H4			6	
12	BL32333600020	Inlet pipe SAL-330 for SAL-1U-A-19*		SUS201	1	
11	BW20012000040	Square aluminum handle 120L		YL112	1	
10	BH90615000010	Control box lower cover SHR-6U-S-A-15/01 white		Assembly	1	
9	YE102104000000	White alternative switch R210-55(BVAP AC220V)		Assembly	1	
8		Storage hopper		Assembly	1	
7	YW07000200000	2" Stainless steel clamp		SUS201	1	
6	YR100003000200	Base fastener*		Rubber	1	
5	BW32000300210	Glass pipe upper hinge SVH-3L-A-18(accessible has mould)		SUS304	1	
4	YW70504000000	Glass pipe SVH-3L-A-06(φ50.5×φ4.05×11)		Glass	1	
3	BH1030400510	Flange connecting rod SHR-3U-ES-A-04(mechanical)		0.235-A	3	
2	YR100003000000	Glass pipe fastener 3L x		Silical gel	2	
1	BW32000300010	Glass pipe lower flange SVH-3L-A-04(has mould)		SUS304	1	

Title	Drawing no.	Name	Scale	Mat.	Num.	Remarks
SHR-3U-ES	SHR-3U-ES		1:6		No.	1
Euro Central Vacuum Hopper	(for assembly drawing)				Mat.	Assembly
Mark	Before Mod.	After Mod.	Date	Check	App. by	Date





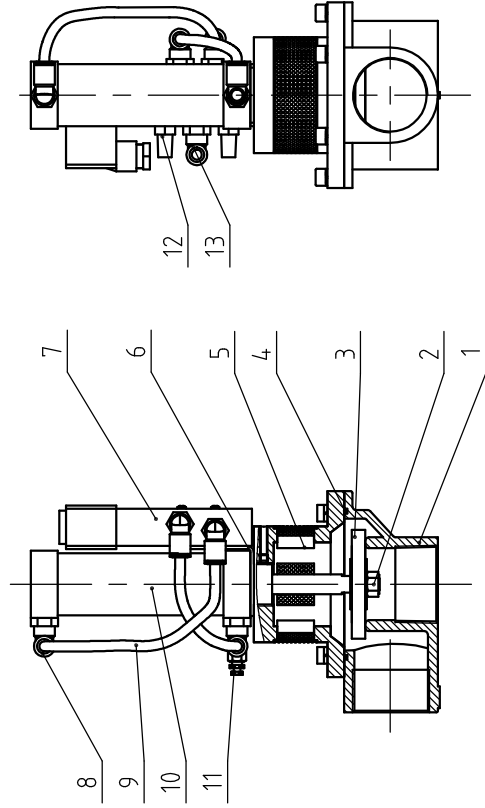
SAL-3HP-UG124 assembly diagram and parts List.



“\*”Indicates the items that may be damaged; “\*\*” indicates the items that are more likely to be damaged. It is recommended to back them up. Please confirm the version number of the instruction manual before placing an order to purchase spare parts, so as to ensure that the material number of spare parts is consistent with the physical one.

25	BL90000011520	3-color alarm light/red, yell. gre.+ buzzer/AC/DC24*	Assembly	1
24		Filter barrel fixed frame	SPCC3.0	1
23	BL501350000020	Wire fixture fixed plate PG13.5 SG-S-01	SPCC2.0	1
22	BH300530000050	Shini blower RB-420/2HP3P phase blk.**	Assembly	1
21		Column	Assembly	1
20		Base	SPCC3.0	1
19	YW030050000000	Foot padφ50 small	Rubber	4
18		Inlet pipe	SUS201	1
17	BY20003800300	Vacuum breaking valve SVBV-38(VERB)	Assembly	1
16		Connecting pipe	SUS201	1
15	YR60500700100	Steel wire PUR plastic pipe 2**	Assembly	1m
14	YW02006500100	Steel wire clamp 65mm	Assembly	2
13		Filter barrel base	Assembly	1
12	YR100800000000	Fastener SAL-810G-A-04(rubber)(blk.)*	Rubber	1
11		Filter barrel cover	SPCC1.2	1
10	YR1008000000300	Filter barrel fastener SAL-810G-A-03*	Rubber	1
9	YW02003000400	Snap hook SAL-6U-A-35*	Assembly	3
8	YR50708000100	Filter SAL-700G/800G fastener *	Assembly	1
7	YW090516000000	Small star nut 5/16 SHB-6-75K6-01-SJ Alu. alloy	Q235	1
6	YL220810000000	PC filter barrel SAL-810G-A-05(ver.0)lhas mould*	PC	1
5	YR102436000000	Suction pipe round fastener SAL-24U/36U*	Rubber	1
4		Filter barrel suction port	SUS201	1
3	BW20002002050	Alu. pipe coupler 2**	YL112	1
2		5-way pipe	SUS201	1
1		Control box assembly	Assembly	1

Title		SAL-3HP-UG124		Drawing no.		SAL-3HP-UG124		Scale		1:6		No.		1	
Dra.				Ver.				One-to-Four** Separate Hopper Loader		(for assembly drawings)		Mat.		Assembly	
Desi.				App.		by		Check		Date		App.		Date	
Before Mod.		After Mod.		Mod. by		Date		App.		Date		App.		Date	
Mark				Before Mod.		After Mod.		Mod. by		Date		App.		Date	
信易電熱機股份有限公司 Shini Plastics Technologies, Inc.															
Surface req.															
Mat No.															



“\*”Indicates the items that may be damaged; “\*\*” indicates the items that are more likely to be damaged. It is recommended to back them up. Please confirm the version number of the instruction manual before placing an order to purchase spare parts, so as to ensure that the material number of spare parts is consistent with the physical one.

13	YW80081800100	L screw connector APL8-01 1/8-φ8	Assembly	1	
12	YW80010800000	Copper muffler 1/8"(has mould)	Assembly	2	
11	YW8000618000000	Adjustable air pipe connector ASL6-1/8	Assembly	1	
10	YE31326000100	Cylinder MBL32×60U(AIRTAC)*	Assembly	1	
9	YR60000600400	PU air pipe φ6 blk 200m/roll	PU	0.3m	
8	YW8000618002000	L screw connector APL6-01 1/8-φ6	Assembly	3	
7	YE324210003000	Solenoid valve 4V210-06/DC24V *	Assembly	1	
6	BL20380500020	Solenoid valve fixed screw SVBV-38-ALL-05	SPCC2.0	1	
5	BW20380100010	Upper cover SVBV-38-ALL-01	Assembly	1	
4	YR2025890000000	Rubber O type seal ring 2.5×89*	Rubber	1	
3	BR10651200040	4-way diaphragm φ5×12×8mm covered (has mould)*	Assembly	1	
2		Hex. nut M10 × 1.25		1	With cylinder
1	BW20001500910	Upper cover SVBV-38-ALL-02 white	YL112	1	
No.	Material number	Name	Mat.	Num	Remarks
Title SVBV-38		Drawing no.	Scale	1:4	No. 1
Vacuum Breaking Separator		SVBV-38(for assembly drawing)			Mat
			Surface req		Assembly
			Mat No.		



信易電熱機械股份有限公司  
Shini Plastics Technologies, Inc.

Mark	Before Mod.	After Mod.	Mod. by	Date
			App	by
				Date

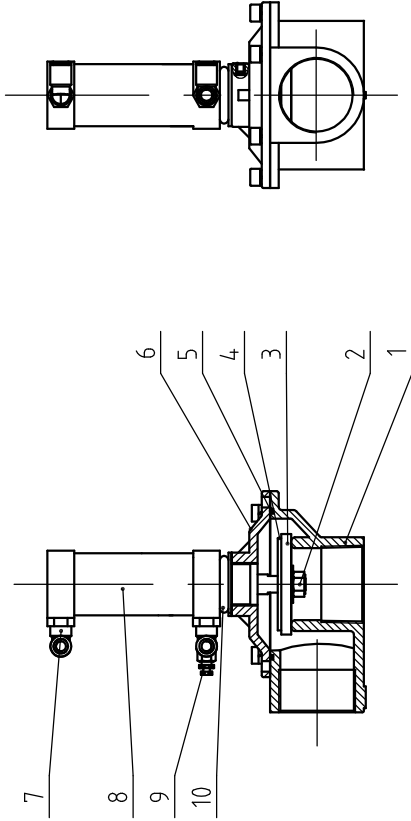
			Ver

--	--	--





Attached: 1.5" diaphragm valve assembly drawing for SHR-6U-S/ES and assembly parts List;



"\*"Indicates the items that may be damaged; "\*" indicates the items that are more likely to be damaged. It is recommended to back them up. Please confirm the version number of the instruction manual before placing an order to purchase spare parts, so as to ensure that the material number of spare parts is consistent with the physical one.

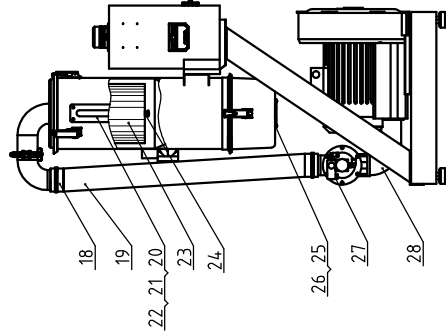
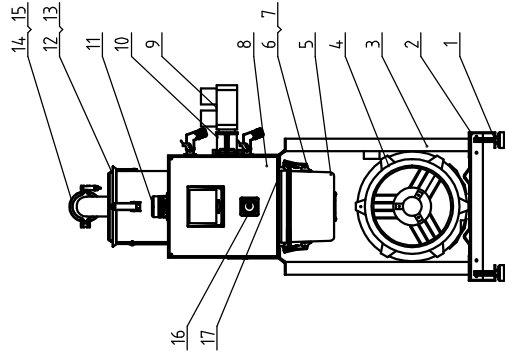
10	YR20305000000	O rubber seal ring $\phi 30 \times \phi 5 \times$	Rubber	1	
9	YW80061800000	Adjustable air pipe connector ASL6-1/8	Assembly	1	
8	YE31322000100	Non-standard cylinder MBL32x20U-JX826B(AirTAC)*	Assembly	1	
7	YW80061800200	L screw connector APL6-01 1/8- $\phi 6$ (AirTAC)	Assembly	1	
6	BW20001500810	Upper cover SPDV-38-ALL-01 white	YL112	1	
5	YR20258900000	O rubber seal ring $\phi 89 \times \phi 2.5^*$	Rubber	1	
4	BL90558200040	Diaphragm washer 4.6x8.2x2 SPDV-38-ALL-04	SPCC2.0	1	
3	BR10608500040	Diaphragm 60x8.2x5.6(SPDV-38-ALL-03)(rubber)*	Assembly	1	
2	YW64000800100	Hex. nut M8 anti-loose	YL112	1	
1	BW20001500910	Lower cover SPDV-38-ALL-02 white	YL112	1	
No.	Material number	Name	Mat.	Num	Remarks
Title SHR-6U-S/ES		Drawing no. SHR-6U-S/ES	Scale 1:4	Num. 1	
Diaphragm Valve 1.5"		(for assembly drawings)		Mat Assembly	
			Surface req		
			Mat No		



信易电热机械股份有限公司  
Shini Plasstics Technologies, Inc.

Mark	Before	Mod.	After	Mod.	Mod.	by	Date



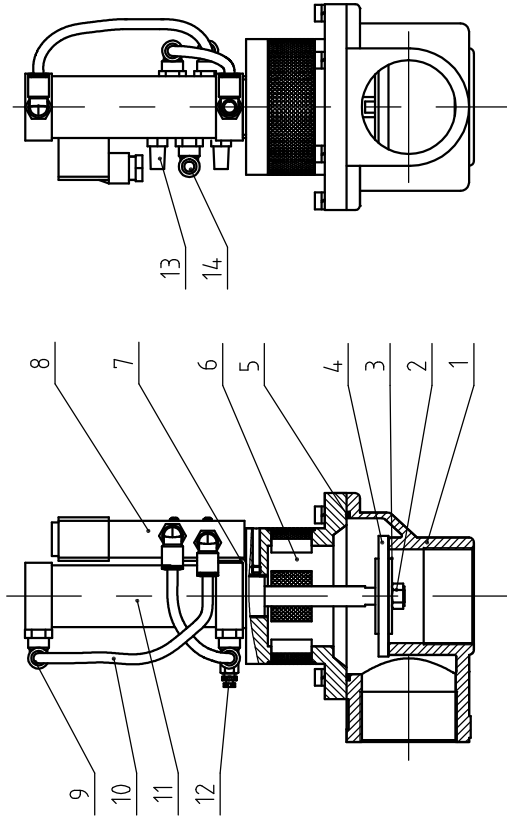



“\*”indicates the items that may be damaged, “\*\*” indicates the items that are more likely to be damaged. It is recommended to back them up. Please confirm the version number of the instruction manual before placing an order to purchase spare parts, so as to ensure that the material number of spare parts is consistent with the physical one.

28	Inlet air pipe	SUS201	1
27	Vacuum breaking valve SVBV-50(VER.B)	Assembly	1
26	Suction pipe round fastener SAL-24U/36U*	Rubber	1
25	PC filter barrel fender	SUS201	1
24	Butterfly cap nut 5/16"	Q235	1
23	FilterADC2 ext. 88x inner 114x H 302*	Assembly	1
22	Sight glass iron sheet 6 hole elec. plated	SPPCC2.0	1
21	Sight glass iron sheet 6 hole(SHD-12-A-25)†	Rubber	1
20	Acrylic 6 hole (SHD-12-A-26) *	PC	1
19	Steel wire plastic pipe clamp 3"	Assembly	1m
18	Stainless steel pipe clamp 3"	SUS201	2
17	Wire clamp fixed plate PG13.5 SG-S-01 (has mould)	SPPCC2.0	1
16	Main power switch TO-2-1/EA/SVB/20A(EATON)	Assembly	1
15	Stainless steel stamping clamp seal ring 2.5"	silical get	1
14	Stainless steel stamping clamp 2.5"	Assembly	1
13	Filter barrel fastener SAL-810G-A-03 (ver.0) rubber**	Rubber	2
12	Filter barrel cover assembly	Assembly	1
11	3-color alarm light(fred, yell. gre.+ buzzer)AC/DC24.	Assembly	1
10	Alu pipe coupler 2"	Assembly	1
9	5-way pipe	SUS201	1
8	Central box assembly	1	1
7	Open flat round head blind rivet GB/T12618 4x6	10	10
6	Adjustable snap hook SAL-6U-A-35*	Assembly	5
5	PC filter barrel SAL-810G-A-05(ver.0)(has mould)*	PC	1
4	Shim blower RB-550/5HP3 phase 230V/400V/50/60HZ NMP*	1	1
3	Column	Assembly	1
2	Base	SPPCC3.0	1
1	Rubber for shock absorbers φ50	Material Number	4

No.	Material number	Name	Material Number	Remarks
	Title SAL-5HP-UG124	Drawing no. SAL-5HP-UG124	Proportion 1:15	Number 1
		"One-to-Four" Separate Hopper Loader (for assembly drawing)	Material	Assembly
	Drawer	Designer	Surface	Material requirement
	Version	Approved by	Material number	
	Proofread by	Checked by		
	Modify date	Modify date		
Mark	After modification	Before modification		



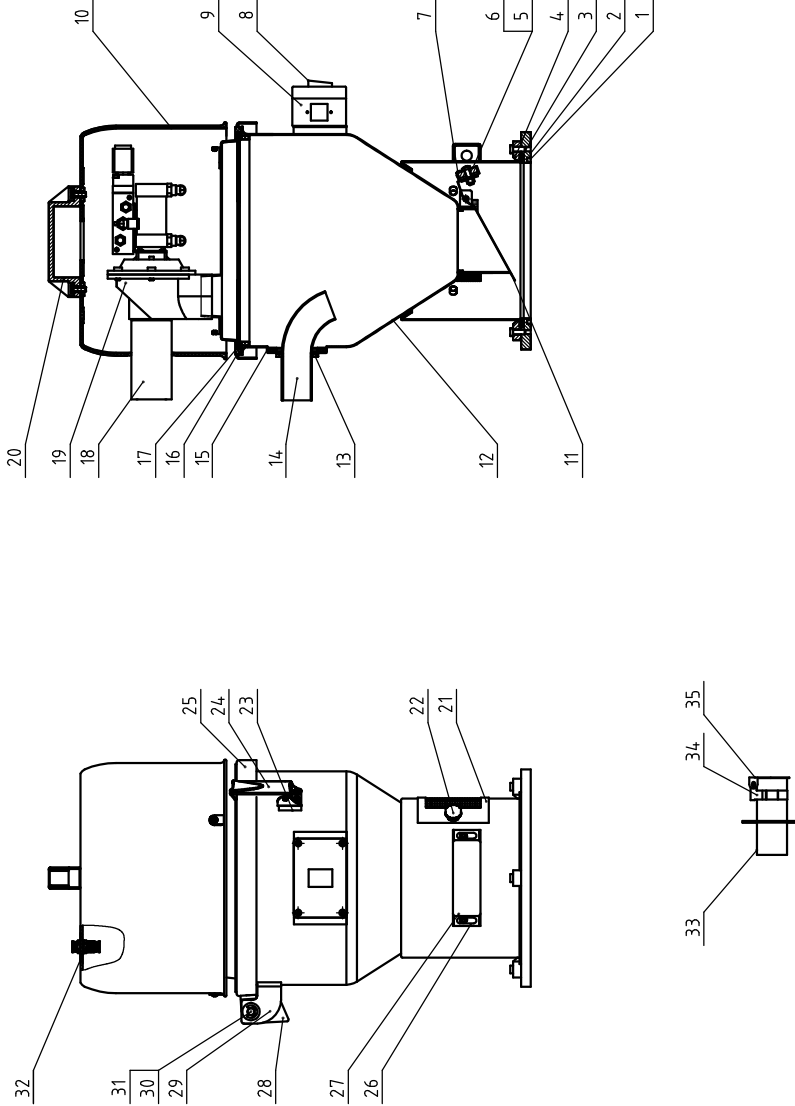


"\*" indicates the items that may be damaged; "\*\*" indicates the items that are more likely to be damaged. It is recommended to back them up. Please confirm the version number of the instruction manual before placing an order to purchase spare parts, so as to ensure that the material number of spare parts is consistent with the physical one.

14	YW80081800100	L screw connector APL8-01 1/8-φ8	Assembly	1	
13	YW80010800000	Copper muffler 1/8"(has mould)	Assembly	2	
12	YW80061800000	Adjustable air pipe connector ASL6-1/8	Assembly	1	
11	YE3132600100	Cylinder MBL32x60U(AIRTAC)*	Assembly	1	
10	YR60000600400	PU air pipe φ6 blk 200m/roll	PU	0.3m	
9	YW80061800200	L screw connector APL6-01 1/8-φ6	Assembly	3	
8	YE32421000300	Solenoid valve 4V210-06/DC24V *	Assembly	1	
7	BL20380500020	Solenoid valve fixed screw SVBV-38-ALL-05	SPCC2.0	1	
6	BW20500100010	Upper cover SVBV-50-ALL-01	Assembly	1	
5	YR20259800000	Rubber O type seal ring 2.5x98*	Rubber	1	
4	BR10651200040	4-way diaphragm 65x12x8mm covered (has mould)*	Assembly	1	
3	BL90201870020	Washer SPDV-63-A-03(SUS201)		2	
2		Hex. nut M10 x 1.25		1	With cylinder
1	BW20001501210	Upper cover SVBV-50-ALL-02 white	ZL101	1	
No.	Material number	Name	Mat.	Num	Remarks
Title SVBV-50		Drawing no.	Scale	1:4	No. 1
Vacuum Breaking Separator		SVBV-50(for assembly drawing)			Mat Assembly
		信易電熱機械股份有限公司 Shini Plastics Technologies, Inc.	Surface req		
Mark Before Mod.		After Mod.	Mod. by	Date	Mat No.



SHR-12U-S assembly diagram and parts List.



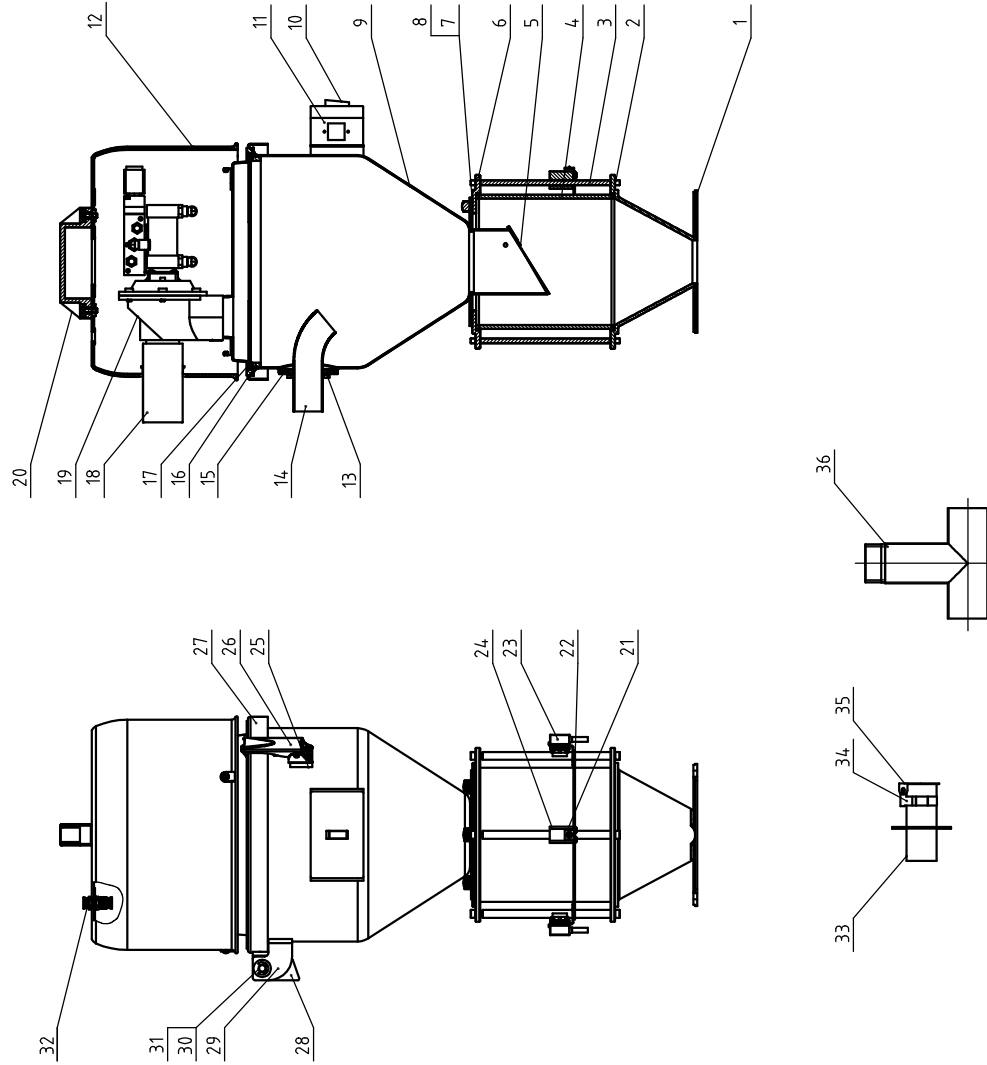
"\*\*" indicates the items that may be damaged; "\*\*\*" indicates the items that are more likely to be damaged. It is recommended to back them up. Please confirm the version number of the instruction manual before placing an order to purchase spare parts, so as to ensure that the material number of spare parts is consistent with the physical one.

No.	Material number	Name	Mat.	Num.	Remarks
35		15" back stop non-return piece	SUS201	1	Opt.
34		15" back stop	Assembly	1	Opt.
33		Inlet pipe (with back stop)	Assembly	1	Opt.
32	YW80000801500	APH insulated plate direct connector APH(AI*FAC)	Assembly	1	
31	YW66000600000	Open ring GB/T896-6	65Mn	2	
30	BH0006003110	Hinge pin SAL-6U-A-31(SUS201)	SUS201	1	
29	BL32061200040	Lower hinge SAL-6U-12(ver: All chrome plated)(0.19 kg)PCC3.0	GP PCC3.0	1	
28	BL32061100040	Upper hinge SAL-6U-11(ver: All chrome plated)(0.08kg)GP PCC3.0	GP PCC3.0	1	
27	YE15123000000	Reed switch BN12-30BLA L 80mm 24V*	Assembly	1	
26	YR40000601100	Sensor shell SAL-6U-03(plastic (white)(has cover))	ABS	1	
25		Hopper cover	Assembly	1	
24	YW0203000400	Adjustable snap hook SAL-6U-A-35*	Assembly	2	
23	YR40000600800	Snap hook plastic washer SAL-6U*	ABS	2	
22	YR40061500000	Star handle SAL-6U/76x45	Assembly	2	
21	YR40000601000	Plastic vent window SAL-6U-01(stainless steel screen)(has mesh)	Assembly	1	
20	BW20012000040	Square aluminum handle 120L	YL112	1	
19	BY20382400050	Vacuum breaking valve SPDV-3812xVDC	Assembly	1	
18		Suction pipe	SUS201	1	
17	BL21001200320	Filter screen SHR-12U-A-05*	SUS201	1	
16	YR10000600200	Hopper fastener SAL-6U(ver: A)(has mould)*	Rubber	1	
15	YR10061200000	Section pipe round fastener SAL-6U/120(has mould)*	Rubber	1	
14	BL32000600020	Inlet pipe SAL-360 for SAL-6U-A-14*	SUS201	1	
13	YW64040700100	Non-metal insert hex. lock nut GB/T889 1M4	SUS304	8	
12		Storage hopper	SUS304	1	
11	BL21000602320	Discharge plate SAL-6U-A-06(ver: F)*	SUS201	1	
10	BR40001200110	Motor cover SHR-12U-S-A-11(ver: B)(has mould)*	ABS	1	
9	BH90615000010	Control box cover SHR-6U-S-A-15(ver: white)*	ABS	1	
8	YE10210400000	White alternative switch R210-C5LW4P*	Assembly	1	
7	BH12000600010	Magnet sleeve SAL-6U-19	H58	1	
6	BL21000600120	Magnet cover SAL-6U-07(SUS201)	SUS201	1	
5	YW90257700000	Permanent magnet $\phi 25 \times \phi 7 \times 7$	Per. mag	1	
4	BW20000630500	Pressing block SAL-6U-A-13 polished	YL112	4	
3		Base fastener *	EVA2.0	1	
2	BW21275100010	Mount base SAL-6U(ver: wood) 215-971(SAL-6U-A-21)(has mould)	YL112	1	
1	YR20205500000	Rubber O-type inner $\phi 20 \times 5$ *	Rubber	1	

Mark	Before Mod.	After Mod.	Mod. by	Date	App.	Check	Desi.	Dra.	Ver.	Title	Drawing No.	Scale	No.	16	No.	1	Remarks
										SHR-12U-S Central Vacuum Hopper	SHR-12U-S (for assembly drawing)	1:6	1				Assembly
																	Surface req
																	Mat. No



# SHR-12U-ES assembly diagram and parts List.

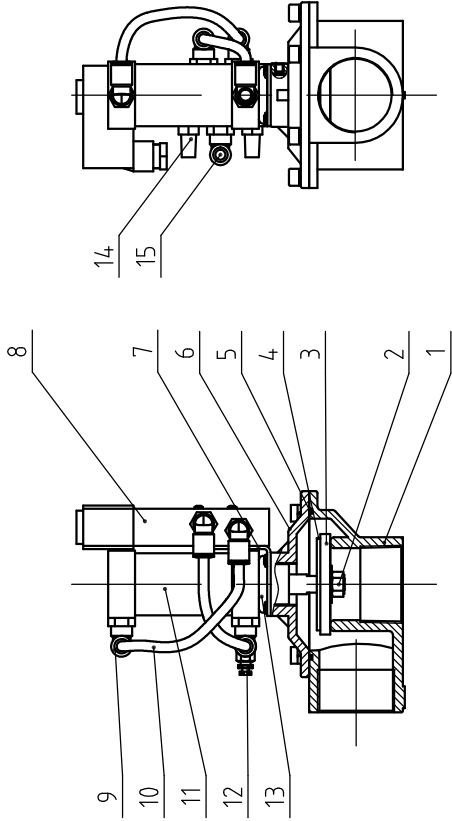


“\*”Indicates the items that may be damaged; “\*\*” indicates the items that are more likely to be damaged. It is recommended to back them up.  
 Please confirm the version number of the instruction manual before placing an order to purchase spare parts, so as to ensure that the material number of spare parts is consistent with the physical one.

No.	Material number	Name	Mat.	Num.	Remarks
36		2"3 way suction pipe	SUS201	1	Opt.
35		15" back stop non-return piece	SUS201	1	Opt.
34		15" back stop	Assembly	1	Opt.
33		Inlet pipe (with back stop)	Assembly	1	Opt.
32	YW80000801500	APM insulated plate direct connector APH8(A/T/K)	Assembly	1	
31	YW66000600000	Open ring GB/T896.6		2	
30	BH10006003110	Flange pin SAL-6U-A-31(SUS201)	SUS201	1	
29	BL32061200040	Lower flange SAL-6U-12(Uver-Allchromell019 kg)	SPCC30	1	
28	BL32061100040	Upper flange SAL-6U-11(Uver-Allchromell0088kg)	SPCC30	1	
27		Hopper cover	Assembly	1	
26	YW02003000400	Snap hook SAL-6U-A-35*	Assembly	2	
25	YR40000600800	Snap hook plastic washer SAL-6U*	ABS	2	
24	BL90001000120	Photosensor fixed base SVH-6I-ALL-10(pressureless)112		1	
23	YE15183000900	Photosensor switch T8-3MB-PE-4H-50 (FOTEK)	Assembly	1 pair	
22	BL21001200120	Photosensor fixed piece SVH-12L-A-01	SUS201	1	
21	YW31616200000	Photosensor pressing block SVH-6I-ALL-11(ver01suis01has mold)	SUS201	1	
20	BW20012000040	Square aluminum handle 120(L)M6 hole 1blk	YL112	1	
19	BY20382400050	Vacuum separating valve SPDV-38(24VDC)	Assembly	1	
18		Suction pipe	SUS201	1	
17	BL21001200320	Filter screen SHR-12U-A-05*	SUS201	1	
16	YR10000600200	Hopper fastener SAL-6U(has mold)*	Rubber	1	
15	YR100061200000	Suction pipe round fastener SAL-6U/12(Uhas mold)*	Rubber	1	
14	BL32000600020	Inlet pipe SAL-360 for SAL-6U-A-14*	Assembly	1	
13	YW64040700100	Non-metal insert hex lock nutGB/T889.1M4		8	
12	BR40001200110	Water cover SHR-12U-S-A-11(Uver-BI)has mold**	ABS	1	
11	BH90615000010	Control bar lower cover SHR-6U-S-A-15/01 white	ABS	1	
10	YE10210400000	White alternative switch R210-CSLBM4P*	Assembly	1	
9		Storage hopper	SUS304	1	
8	YW69621600000	Manual twist screw M6x20x16		3	
7	BL90052003210	Vent flange SVH-12L-A-11	SUS201	1	
6	BW32001200110	Gas pipe upper flange SVH-12L-A-07(has mold)	SUS202	1	
5	BL21001200520	Non-return piece SVH-12L-A-08*	SUS201	1	
4	YW70101700000	Glass pipe φ170×φ160×170*	Glass	1	
3	BH10101600110	Flange connecting rod φ16x16(SVH-12L-A-06)	Q235A	4	
2	YR100001200100	Glass pipe fastener SVH-12L-A-04*	Silica gel	2	
1	BL21000610710	Glass pipe lower flange SVH-12L-A-10(has mold)	SUS202	1	

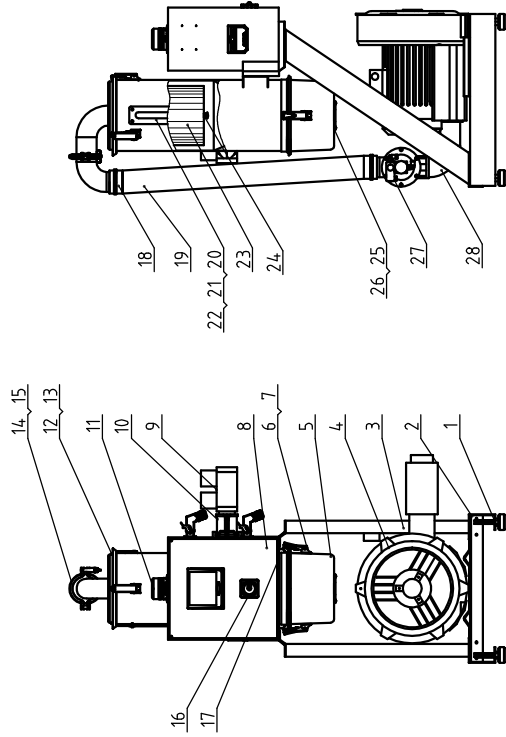
Title		SHR-12U-ES		Drawing no.		SHR-12U-ES		Scale		1/6		No.		1	
Central Vacuum Hopper				(for assembly drawing)											
Dra.				Ver.				App. by				Date			
Desi.				Check				Mod. by				Date			
Mark		Before Mod.		After Mod.		Mod. by		Date		App.		Date			
Surface req.				Mat.		Assembly		Surf. req.				Mat.		No.	





“\*”Indicates the items that may be damaged; “\*\*” indicates the items that are more likely to be damaged.  
 It is recommended to back them up.  
 Please confirm the version number of the instruction manual before placing an order to purchase spare parts, so as to ensure that the material number of spare parts is consistent with the physical one.

15	YW80081800100	L screw connector APL8-01 1/8-ø8(AirTAC)	Assembly	1	
14	YW80010800000	Copper muffler 1/8"(has mould)	Assembly	3	
13	YR20305000000	O rubber seal ring $\phi 30 \times \phi 5^*$	Rubber	1	
12	YW80061800000	Adjustable air pipe connector ASL6-1/8	Assembly	1	
11	YE31322000100	Non-standard cylinder MBL32x20U-JX826B(AirTAC)*	Assembly	1	
10	YR60000600400	PU air pipe $\phi 6 \times \phi 4$ blk 200m/roll	PU	0.3M	
9	YW80061800200	L screw connector APL6-01 1/8-ø6(AirTAC)	Assembly	3	
8	YE32421000300	Solenoid valve 4V210-06/DC24V(AirTAC)*	Assembly	1	
7	BL20380500020	Solenoid valve fixed piece SPDV-38-ALL-05	SPCC2.0	1	
6	BW20001500810	Upper cover SPDV-38-ALL-01 white	YL112	1	
5	YR20258900000	O type seal ring $\phi 89 \times \phi 2.5^*$	Rubber	1	
4	BL90558200040	Diaphragm washer 4.6x8.2x2 SPDV-38-ALL-04	SPCC2.0	1	
3	BR10608500040	Diaphragm 60x8.2x5.6(SPDV-38-ALL-03)(rubber)*	Assembly	1	
2	YW64000800100	Non-metal insert hexagon lock nut M8	YL112	1	
1	BW20001500910	Lower cover SPDV-38-ALL-02 white	YL112	1	
No.	Material number	Name	Mat.	Num	Remarks
Title		Drawing no.	Scale	1:4	Num. 1
SPDV-38		SPDV-38(for assembly drawings)			Mat Assembly
Vacuum Separator		信易电热机械股份有限公司 Shini Plastics Technologies, Inc.			
Mark	Before Mod.	After Mod.	Mod. by	Date	
			App	by	Date
			Dra		
			Desi.		
			Ver		



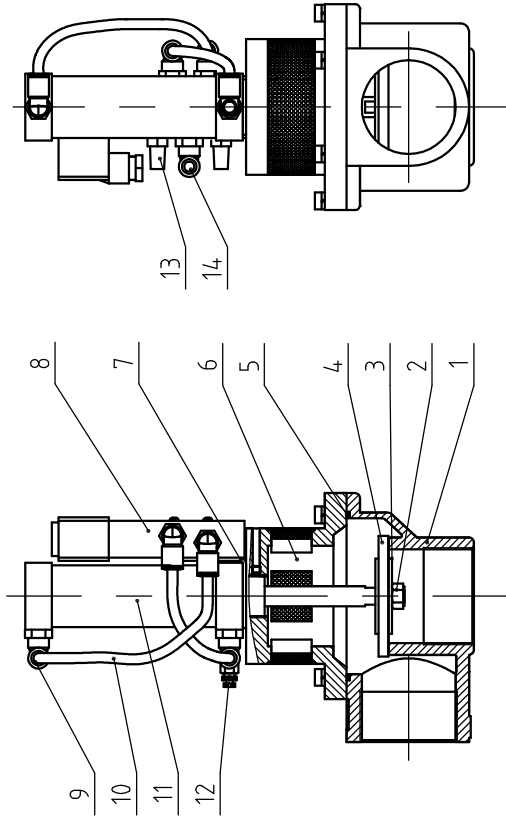
28	Inlet air pipe	SUS201	1
27	Vacuum breaking valve SVBV-50-24VDC(VERB)	Assembly	1
26	Suction pipe round fastener SAL-24U/36U*	Rubber	1
25	PC filter barrel fender	SUS201	1
24	Butterfly cap nut 5/16"	Q235	1
23	FilterADC ext. 188x inner 114x H 302*	Assembly	1
22	Sight glass iron sheet 6 hole elec. plated	SPCC2.0	1
21	Sight glass iron sheet 6 hole(SHD-12-A-25)*	Rubber	1
20	Acrylic 6 hole (SHD-12-A-26) *	PC	1
19	Steel wire plastic pipe clamp 3"	Assembly	1m
18	Stainless steel pipe clamp 3"	SUS201	2
17	Wire clamp fixed plate PG13.5 SG-S-01 (has mould)	SPCC2.0	1
16	Main power switch TO-2-1/EA/SVB/20AEATON)	Assembly	1
15	Stainless steel stamping clamp seal ring2.5"	Stical gel	1
14	Stainless steel stamping clamp 2.5"	Assembly	1
13	Filter barrel fastener SAL-810G-A-03 (ver.0) rubber*	Rubber	2
12	Filter barrel cover assembly	Assembly	1
11	3-color alarm light(red, yel. gre.+ buzzer)AC/DC24.	Assembly	1
10	Alu pipe coupler 2"	Assembly	1
9	5-way pipe	SUS201	1
8	Central box assembly	Assembly	1
7	Open flat round head blind rivet GB/T12618 4x6	10	10
6	Adjustable snap hook SAL-6U-A-35*	Assembly	5
5	PC filter barrel SAL-810G-A-05(ver.0)has mould*	PC	1
4	Shenghong blower EHS-4337 double stage*	Assembly	1
3	Column	Assembly	1
2	Base	SPCC3.0	1
1	Rubber for shock absorbers φ50	Material Number	Remarks

No.	Material number	Name	Material Number	Remarks
Title		Drawing no.		
SAL-5HP-UG124-D		SAL-5HP-UG124-D(装配图)		
"One-to-Four" Separate Hopper Loader				
Drawer	Designer	Version	1:15	Number
Designer	Approved by	Approved by	Material	Assembly
Proofread by	Checked by	Checked by	Surface requirement	Material number
Modify date	Modify date	Modify date	Material number	Material number
After modification	Before modification	Before modification	Material number	Material number



\*\*"Indicates the items that may be damaged; "\*\*\*" indicates the items that are more likely to be damaged. It is recommended to back them up. Please confirm the version number of the instruction manual before placing an order to purchase spare parts, so as to ensure that the material number of spare parts is consistent with the physical one.

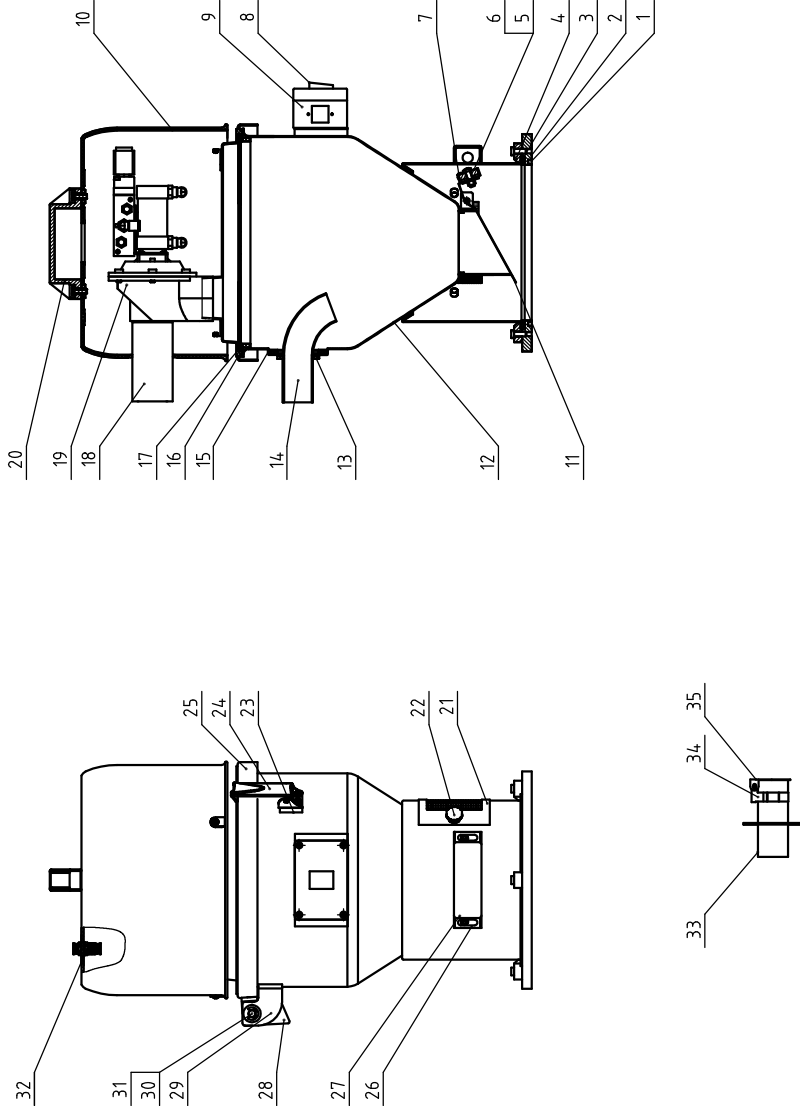
Attached:SVBV-50 assembly diagram and parts List(BY20005000300).



"\*" indicates the items that may be damaged; "\*\*" indicates the items that are more likely to be damaged. It is recommended to back them up. Please confirm the version number of the instruction manual before placing an order to purchase spare parts, so as to ensure that the material number of spare parts is consistent with the physical one.

14	YW80081800100	L screw connector APL8-01 1/8-φ8	Assembly	1	
13	YW80010800000	Copper muffler 1/8"(has mould)	Assembly	2	
12	YW80061800000	Adjustable air pipe connector ASL6-1/8	Assembly	1	
11	YE31326000100	Cylinder MBL 32x60U(AIRTAC)*	Assembly	1	
10	YR60000600400	PU air pipe φ6 blk 200m/roll	PU	0.3m	
9	YW80061800200	L screw connector APL6-01 1/8-φ6	Assembly	3	
8	YE32421000300	Solenoid valve 4V210-06/DC24V *	Assembly	1	
7	BL20380500020	Solenoid valve fixed screw SVBV-38-ALL-05	SPCC2.0	1	
6	BW20500100010	Upper cover SVBV-50-ALL-01	Assembly	1	
5	YR20259800000	Rubber O type seal ring 2.5x98*	Rubber	1	
4	BR10651200040	4-way diaphragm 65x12x8mm covered (has mould)*	Assembly	1	
3	BL90201870020	Washer SPDV-63-A-03(SUS201)		2	
2		Hex. nut M10 x 1.25		1	With cylinder
1	BW20001501210	Upper cover SVBV-50-ALL-02 white	ZL101	1	
No.	Material number	Name	Mat.	Num	Remarks
Title SVBV-50		Drawing no.	Scale	1:4	No. 1
Vacuum Breaking Separator		SVBV-50(for assembly drawing)			Mat Assembly
		信易電熱機械股份有限公司 Shini Plastics Technologies, Inc.	Surface req		
		<b>SHINI</b>	Mat No.		
Mark	Before Mod.	After Mod.	Mod. by	Date	
			App	by	Date

SHR-12U-S assembly diagram and parts List.



“\*” indicates the items that may be damaged; “\*\*” indicates the items that are more likely to be damaged. It is recommended to back them up. Please confirm the version number of the instruction manual before placing an order to purchase spare parts, so as to ensure that the material number of spare parts is consistent with the physical one.

No.	Material number	Name	Mat.	Num.	Remarks
35		15" back stop non-return piece	SUS201	1	Opt.
34		15" back stop	Assembly	1	Opt.
33		Inlet pipe (with back stop)	Assembly	1	Opt.
32	YW80000801500	APH insulated plate direct connector APH8(A1-FAC)	Assembly	1	
31	YW66000600000	Open ring GB/T895-6	65Mn	2	
30	BH00060003110	Hinge pin SAL-6U-A-31(SUS201)	SUS201	1	
29	BL32061200040	Lower hinge SAL-6U-12(ver. A)(chrome)(119 KG)	SPCC3.0	1	
28	BL32061100040	Upper hinge SAL-6U-11(ver. A)(chrome)(108KG)	SPCC3.0	1	
27	YE15123000000	Reed switch BNT2-30BLA L 80mm 24V*	Assembly	1	
26	YR40000601100	Sensor shell SAL-6U-03(plastic white)(has cover)**	ABS	1	
25		Hopper cover	Assembly	1	
24	YW02030004000	Adjustable snap hook SAL-6U-A-35*	Assembly	2	
23	YR40000600800	Snap hook plastic washer SAL-6U*	ABS	2	
22	YR40061500000	Star handle SAL-6U/M6x5	Assembly	2	
21	YR40000601000	Plastic vent window SAL-6U-01(stainless steel screen)(ver. A)	Assembly	1	
20	BW20012000040	Square aluminum handle 120L	YL112	1	
19	BY20382400050	Vacuum breaking valve SPDV-38(24VDC)	Assembly	1	
18		Suction pipe	SUS201	1	
17	BL21001200320	Filter screen SHR-12U-A-05*	SUS201	1	
16	YR10000600200	Hopper fastener SAL-6U(ver. A)(has mold)*	Rubber	1	
15	YR10061200000	Suction pipe round fastener SAL-6U/20(has mold)**	Rubber	1	
14	BL32000600020	Inlet pipe SAL-360 for SAL-6U-A-14*	SUS201	1	
13	YW64040700100	Non-metal insert hex. lock nut GB/T889.1M4	SUS304	8	
12		Storage hopper	SUS304	1	
11	BL21000602320	Discharge plate SAL-6U-A-06(ver.F)*	SUS201	1	
10	BR40001200110	Motor cover SHR-6U-S-A-15(ver. B)(has mold)**	ABS	1	
9	BH9006150000010	Control box lower cover SHR-6U-S-A-15/01 white*	ABS	1	
8	YE10210400000	White alternative switch R210-C5L(BWAP)*	Assembly	1	
7	BH12000600010	Magnet sleeve SAL-6U-19	H58	1	
6	BL21000600120	Magnet cover SAL-6U-07(SUS201)	SUS201	1	
5	YW90257700000	Permanent magnet Ø25xØ7x7	Per. mag.	1	
4	BW2000060305000	Pressing block SAL-6U-A-13 polished	YL112	4	
3	BW21275100010	Base fastener * Ver. A SAL-6U(ver. A) 23x8x15 SAL-6U(A)(has mold)	EVA2.0	1	
2	YR20205500000	Rubber O-type inner Ø6Ø200x5.5*	YL112	1	
1			Rubber	1	

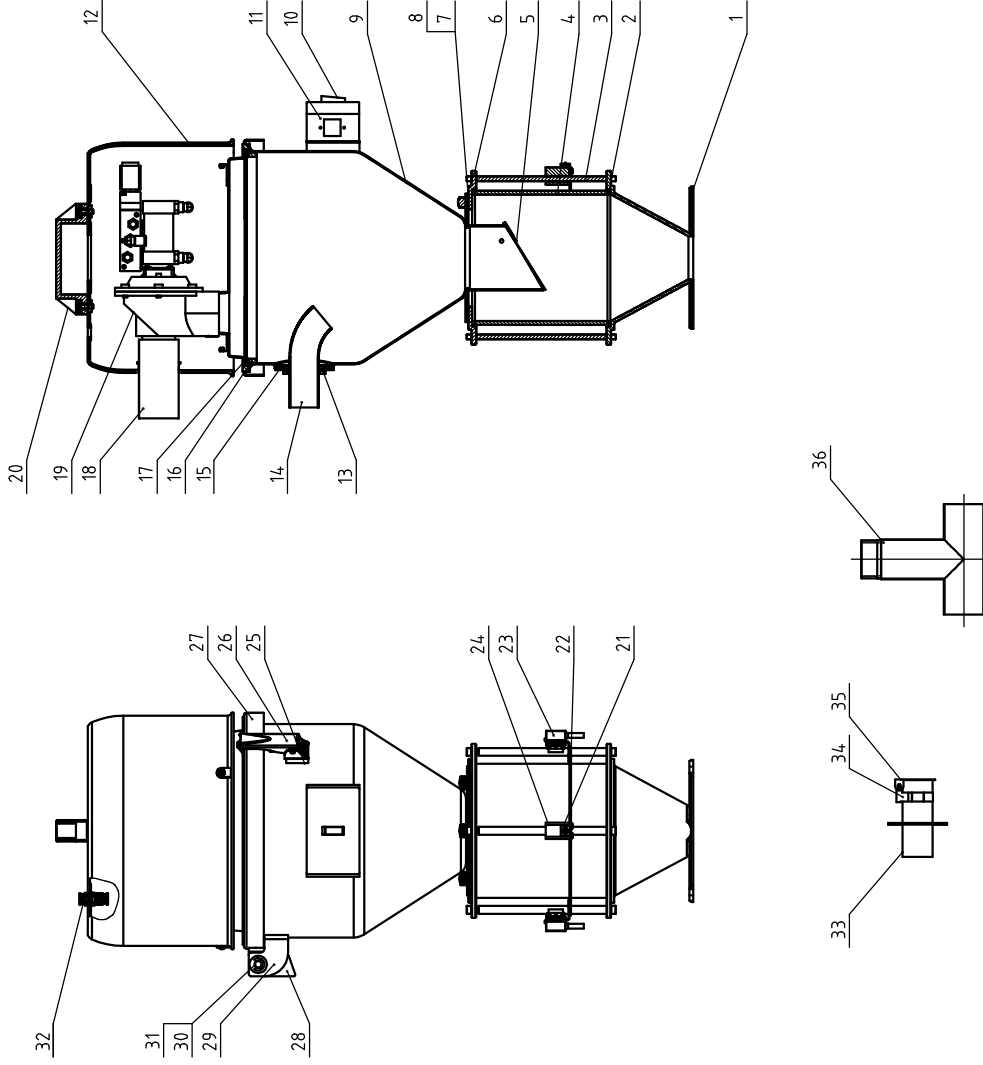
Mark	Before Mod.	After Mod.	Mod. by	Date	App.	Check	Desi.	Dra.	Ver.

Title	SHR-12U-S	SHR-12U-S
Central Vacuum Hopper		
Scale	1:6	No. 1
Surface req.		Assembly
Mat. No.		



SHR-12U-ES assembly diagram and parts List.



“\*\*” indicates the items that may be damaged; “\*\*\*” indicates the items that are more likely to be damaged. It is recommended to back them up. Please confirm the version number of the instruction manual before placing an order to purchase spare parts, so as to ensure that the material number of spare parts is consistent with the physical one.

No.	Material number	Name	Mat.	Num.	Remarks
36		15" 3 way suction pipe	SUS201	1	Opt.
35		15" back stop non-return piece	SUS201	1	Opt.
34		15" back stop	Assembly	1	Opt.
33		Inlet pipe (with back stop)	Assembly	1	Opt.
32	YW80000801500	APM insulated plate direct connector APH8(A)(T)QJ	Assembly	1	
31	YW66000600000	Open ring GB/T 896.6		2	
30	BH10006003110	Flange pin SAL-6U-A-31(SUS201)	SUS201	1	
29	BL32061200040	Lower hinge SAL-6U-12(ver. A)(chrome)(0.19 KGI)	SPCC30	1	
28	BL32061100040	Upper hinge SAL-6U-11(ver. A)(chrome)(0.08KGI)	SPCC30	1	
27		Hopper cover	Assembly	1	
26	YW02003000400	Snap hook SAL-6U-A-35*	Assembly	2	
25	YR40000600800	Single hook plastic washer SAL-6U*	ABS	2	
24	BL90001000120	Photoresistor fixed base SVH-6L-ALL-10(pressure)(has photo)ML112	ML112	1	
23	YE15183000900	Photoresistor switch T8-3HMB-PE-4M-5# (FOTEX)*	Assembly	1 pair	
22	BL21001200120	Photoresistor fixed piece SVH-12L-A-01	SUS201	1	
21	YW31616200000	Photoresistor pressing block SVH-6L-ALL-11(ver. SUS201)(has mold)*	SUS201	1	
20	BW20012000040	Square aluminum handle 120(L)(M6 hole)(blk. YL112)	YL112	1	
19	BY20382400050	Vacuum separating valve SPDV-38(24-VDC)	Assembly	1	
18		Suction pipe	SUS201	1	
17	BL21001200320	Filter screen SHR-12U-A-05*	SUS201	1	
16	YR10000600200	Hopper fastener SAL-6U(has mold)*	Rubber	1	
15	YR100061200000	Suction pipe round fastener SAL-6U/12U(has mold)*	Rubber	1	
14	BL32000600020	Inlet pipe SAL-360 for SAL-6U-A-14*	Assembly	1	
13	YW64040700100	Non-metal insert hex. lock nut(GB/T 889.1 M4)	ABS	8	
12	BR40001200110	Motor cover SHR-12U-S-A-11(ver. B)(has mold)*	ABS	1	
11	BH90615000010	Control box lower cover SHR-6U-S-A-15(01 white)	ABS	1	
10	YE10210400000	White alternative switch R210-CL5(BMAP)*	Assembly	1	
9		Storage hopper	SUS304	1	
8	YW69621600000	Manual twist screw M6x20x16		3	
7	BL90052003210	Vent flange SVH-12L-A-11	SUS201	1	
6	BW32001200110	Glass pipe upper flange SVH-12L-A-07(has mold)	SUS202	1	
5	BL21001200520	Non-return piece SVH-12L-A-08*	SUS201	1	
4	YW70171700000	Glass pipe φ170xφ160x170*	Glass	1	
3	BH10101600110	Flange connecting rod φ10x163(SVH-12L-A-06)	Q235A	4	
2	YR10001200100	Glass pipe fastener SVH-12L-A-04*	Silical get	2	
1	BL21000610710	Glass pipe lower flange SVH-12L-A-10(has mold)	SUS202	1	

Title		Drawing no.		Scale	
SHR-12U-ES		SHR-12U-ES		1/6 No. 1	
Central Vacuum Hopper		(for assembly drawing)		Mat. Assembly	
Mark	Before Mod.	After Mod.	Mod. by	Date	App.
Check			App. by	Date	
Desi.			Ver.		
Dra.					



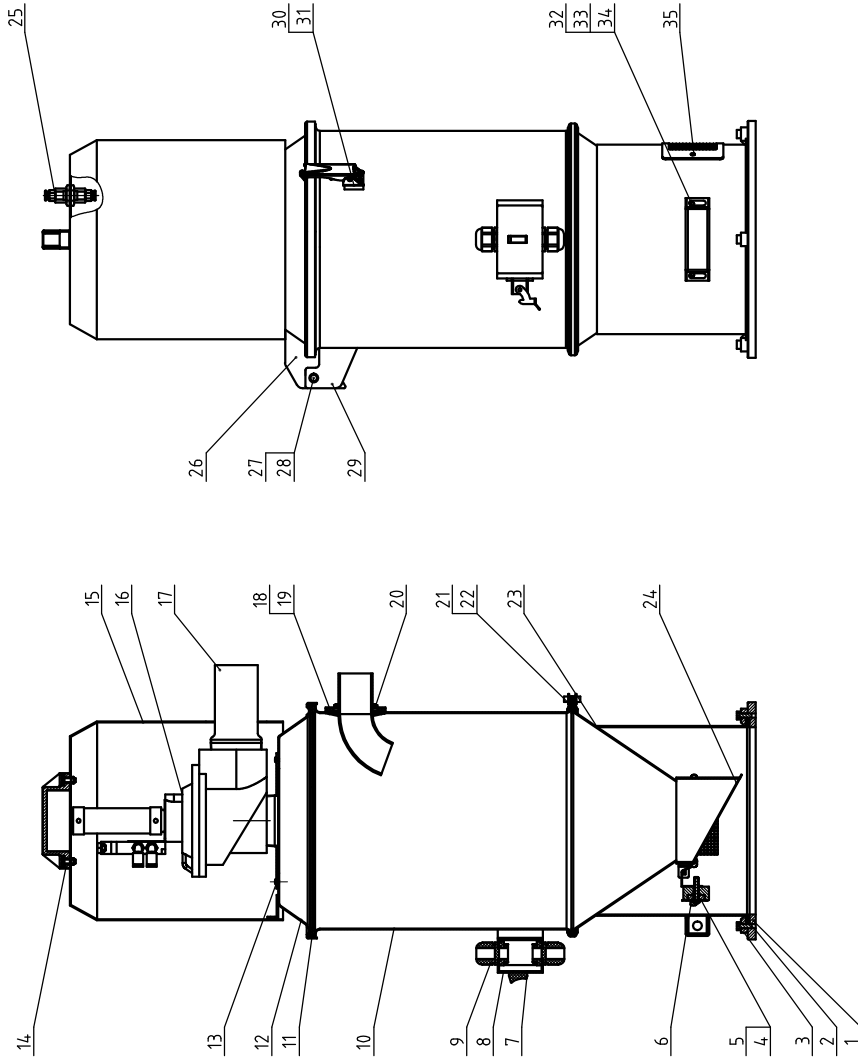
Surface req. Mat. No.







SHR-36U-S assembly diagram and parts List.



No.	Material number	Name	Mat.	Num.	Remarks
35	YR40000601000	Plastic vent window SAL-60U-01(stainless steel screen/white)	Assembly	1	
34	YR40061500000	Star handle SAL-60U/M6x15	Assembly	2	
33		Sensor shell	SUS201	1	
32	YE15123000400	Head switch BMT-36BLA/L 8mmx24V(D50H0W) without crystal connector*	Assembly	1	
31	YW02003000400	Adjustable snap hook SAL-60U-A-35*	Assembly	2	
30	YR40000600800	Snap hook plastic washer SAL-60U(white/has mould)*	SPHA,0	1	
29	BL32009600040	Lower hinge SHR-36U-S-ALL-07(1sec.0)(chrome plated)		2	
28	YW66000600000	Open ring GB/T1896 6		2	
27	BH10006003110	Hinge pin SAL-60U-A-3(SUS201)	SUS201	1	
26	BL32009600140	Upper hinge SHR-36U-S-ALL-06(1ver.0)(chrome plated)	SPHA,0	1	
25	YW80000801500	APH moulded plate direct connector APH8(Air-TAC)	Assembly	1	
24		Discharge plate*	Assembly	1	
23		Hopper body	Assembly	1	
22	YR10121300200	Scale separator fastener SPD-25E8-A-1(1ver.0)(R, steel galvanized mould)*	Assembly	2	
21		Pipe clamp assembly	Assembly	1	
20	YW64040700100	Non-metal insert hex lock nut GB/T1889.1 M4	Assembly	8	
19	BL27002401620	Inlet pipe*	Rubber	1	
18	YR10243600000	Suction pipe round fastener SAL-24U/36U(1has mould)*	SUS201	1	
17		2.5"/ suction pipe	Assembly	1	
16	BY20006300150	Vacuum breaking valve SPDV-63(2A)(DIVER.8)	SPCC1.5	1	
15		Diaphragm cover	YL112	1	
14	BW20012000040	Alu. square handle 120(L)(M6 hole) black	SUS201	1	
13		Flange	Assembly	1	
12		Hopper cover	Assembly	1	
11		Filter screen*	Assembly	1	
10		Hopper(upper)	SUS304	1	
9	YE67000940000	Cable lock head PG9	ABS	2	
8	BH90615000010	Central box cover SHR-60U-S-A-5(1) white*	Assembly	1	
7	YE10118400000	White alternative switch RH1-8/AP 24VAC/DC 10mA(Feng)*	H58	1	
6	BH110036001510	Magnet sleeve SHR-36U-ALL-06(1ver.0)	SUS201	1	
5		Magnet cover	Per. mag.	1	
4	YW90257700000	Permanent magnet φ25×φ7x7	YL112	4	
3	BW20000630500	Pressing block SAL-60U-A-13 polished	EVA2,0	1	
2		Base fastener*	AC4B	1	
1	BH13003601510	Base SHR-36U-ALL-09(1has mould)(processed/ver.0)	Mat.	1	

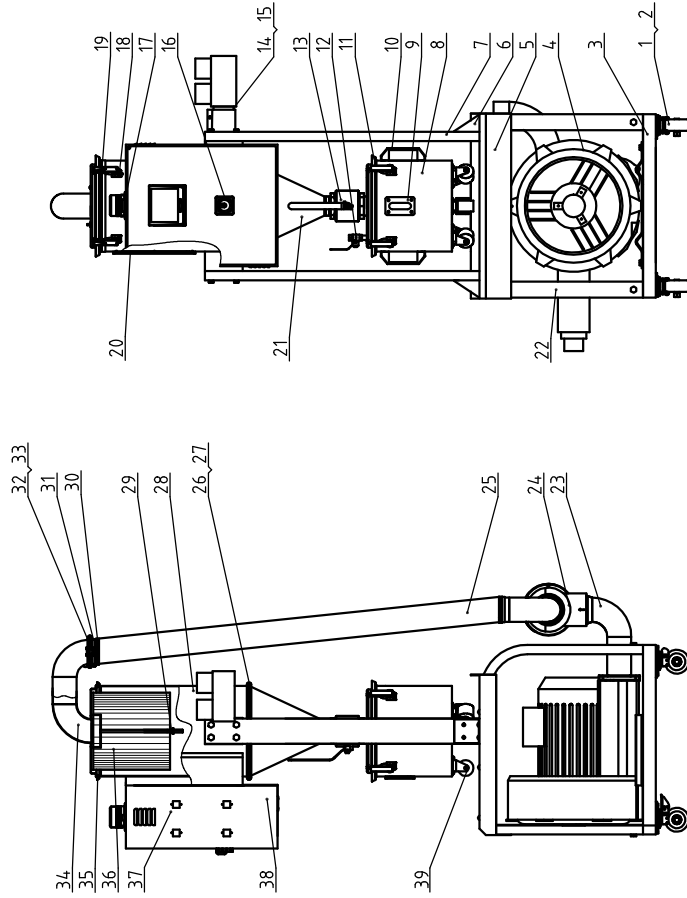
Title		Drawing no.		Scale	
SHR-36U-S		SHR-36U-S		1:7	
Central Vacuum Hopper		(for assembly drawing)		1	
Dra.	Ver.	Surf. req.	Mat.	Remarks	
Desi.	App. by	Mat.	Assembly		
Check	Date				
App.	Date				
Mod. by	Date				
Affer. Mod.	Date				



“\*” indicates the items that may be damaged; “\*\*\*” indicates the items that are more likely to be damaged. It is recommended to back them up. Please confirm the version number of the instruction manual before placing an order to purchase spare parts, so as to ensure that the material number of spare parts is consistent with the physical one.



SAL-10HP-UG124-D assembly diagram and parts List.



“\*” indicates the items that may be damaged; “\*\*” indicates the items that are more likely to be damaged. It is recommended to back them up. Please confirm the version number of the instruction manual before placing an order to purchase spare parts, so as to ensure that the material number of spare parts is consistent with the physical one.

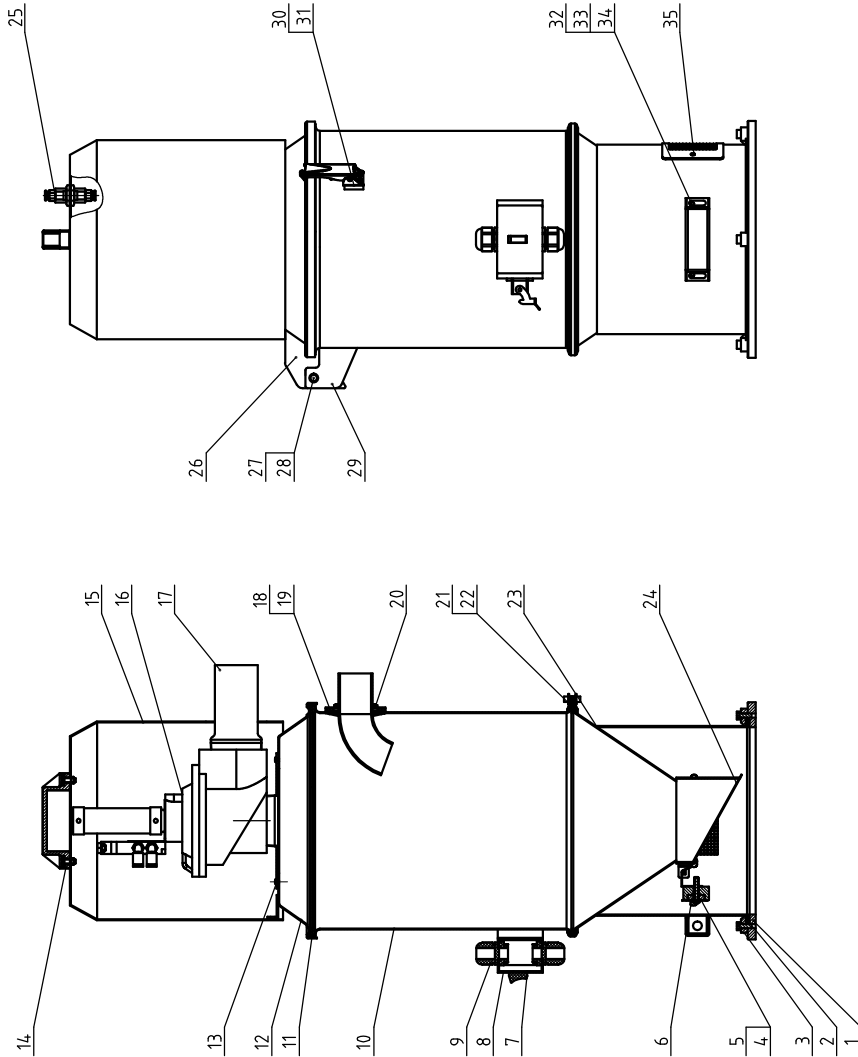
39	YW03000200000	Black castor 2"	Assembly	3
38	BL50135000020	Wire clamp fixed plate PG13.5 SG-S-01 (has mould)	SPCC2.0	1
37		Control box assembly	Assembly	1
36	YR50024400000	Filter barrel fastener Φ287	Assembly	1
35	YR10028700000	rubber fastener SAL-10HP-UG-A-261*	Rubber	2
34		Filter barrel cover assembly	Assembly	1
33	YR20000300000	Stainless steel stamping clamp seal ring 3"	SUS304	1
32	YW07000300300	Stainless steel stamping clamp 3"	Assembly	1
31		Air suction pipe	SUS201	2
30	YW02003500000	Stainless steel pipe clamp 3.5"	Q235	1
29	YW69051600000	Butterfly cap nut 5/16"	IM	1
28	YR10123640000	Stainless steel pipe fastener SAL-120V-360(has mould)	Assembly	1
27		Pipe clamp assembly	Assembly	1
26		Filter barrel(upper)	Assembly	1
25	YR60303000000	Steel wire hose 3"x1.8m	Assembly	1
24	BY20007600450	Vacuum breaking valve SVBV-76(Ver.B)	Assembly	1
23		Inlet air pipe	SUS201	1
22		Bracket	SPCC2.0	1
21		Filter barrel (lower)	Assembly	1
20	BH90000600050	Six hole sight glass assembly	Assembly	1
19	YW02003000400	Adjustable snap hook SAL-60J-A-35*	Assembly	8
18	YW69051000009	Open flat head round blind nuts GB/T 12618 4x6	Assembly	16
17	BL90000011520	3-color alarm light(red, yel, gre.+ buzzer)/AC/DC	Assembly	1
16	YE10220300000	Main power switch	Assembly	1
15		5-way pipe	SUS201	1
14	BW20002500100	2.5" alu alloy pipe connector SSE-P-25-01-ALL	Assembly	1
13	YW50002000000	Copper ball valve 2"	Assembly	1
12	YW50004100000	Copper ball valve 2"/PT	Assembly	1
11		Dust collective barrel	Assembly	1
10	BW20012000040	Alu. square handle L120	YL112	2
9	BH90000400050	4-hole sight glass assembly	Assembly	1
8		Dust collective hopper	SPCC1.5	1
7		Filter barrel column	SPCC3.0	1
6		Column support	SPCC2.0	2
5		Middle plate	SPCC2.0	1
4	YM30637500000	Shower RR-85010HP13/230V/400V/50/60HZ Buck*	Assembly	1
3		Base	SPCC3.0	1
2	YW03000300200	Movable universal castor 3"	Assembly	2
1	YW03000300000	Brake universal castor 3"	Assembly	2

No.	Material number	Name	Mat. Number	Remarks
Title		SAL-10HP-UG124-D		
Drawing no.		SAL-10HP-UG124-D		
Version		1:15		
Approved by		Surface		
Proofread by		Material requirement		
Checked by		Material number		
Modify date		Material number		
Mark		Material number		

信易熱機股份有限公司  
SHINI  
Shini Plastics Technologies, Inc.



SHR-36U-S assembly diagram and parts List.

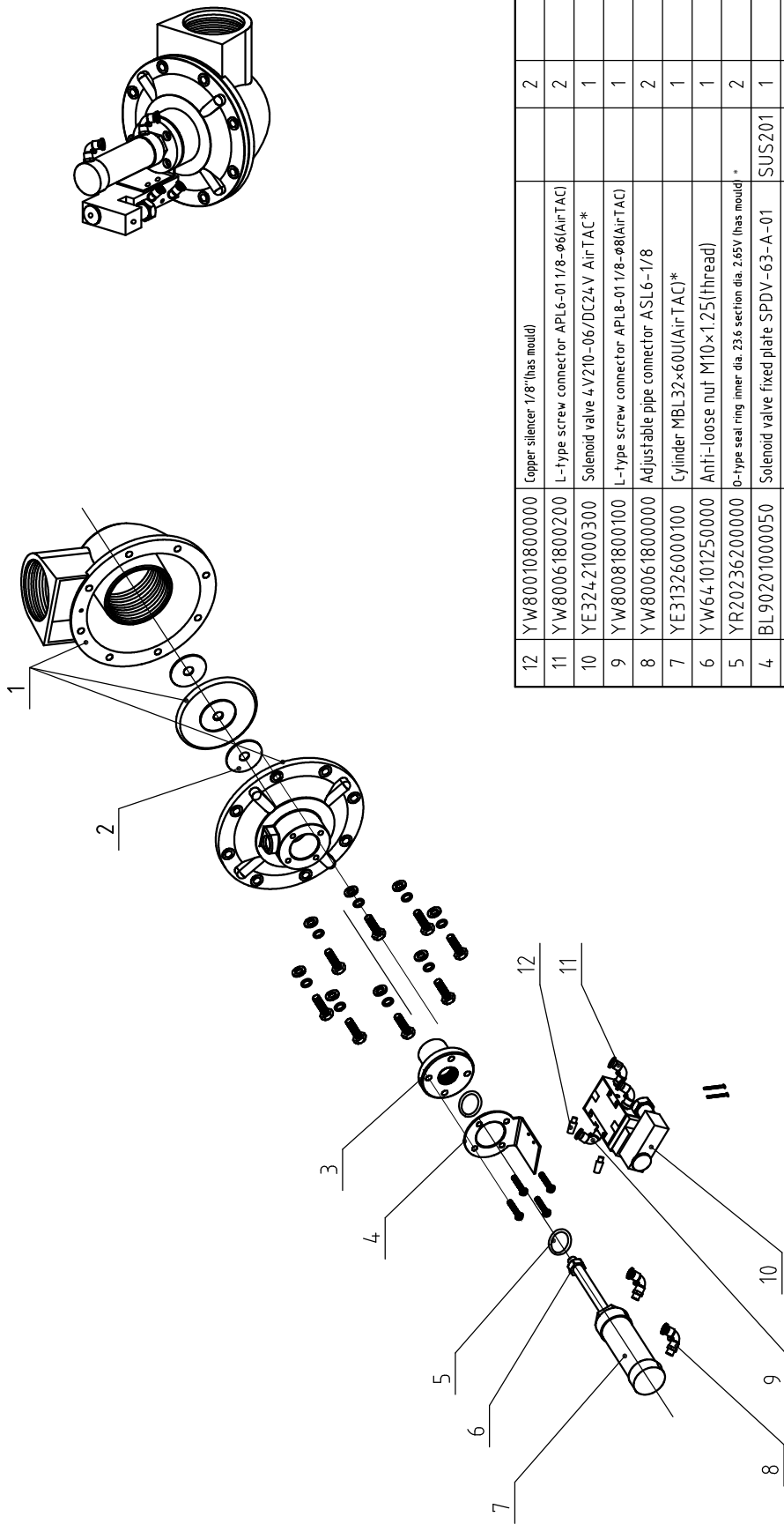


\*\*Indicates the items that may be damaged. "\*\*\*\*" indicates the items that are more likely to be damaged. It is recommended to back them up. Please confirm the version number of the instruction manual before placing an order to purchase spare parts, so as to ensure that the material number of spare parts is consistent with the physical one.

No.	Material number	Name	Mat.	Num.	Remarks
35	YR4.0000601000	Plastic vent window SAL-6U-01 (stainless steel, screen/white)	Assembly	1	
34	YR4.0061500000	Star handle SAL-6U/M6x15	Assembly	2	
33		Sensor shell	SUS201	1	
32	YE151230004.00	Resistor BNT3-30BLA/C (RoHS2+VISION) without crystal connector **	Assembly	1	
31	YW020030004.00	Adjustable snap hook SAL-6U-A-35*	Assembly	2	
30	YR4.0000600800	Snap hook plastic washer SAL-6U(white)(has mould)**	SPHA.0	2	
29	BL3200960004.0	Lower hinge SHR-36U-S-ALL-01(ver.0)(chrome plated)	SPHA.0	1	
28	YW6660060000.00	Open ring GB/T896 6	SUS201	2	
27	BH10006003110	Hinge pin SAL-6U-A-31(SUS201)	SUS201	1	
26	BL3200960014.0	Upper hinge SHR-36U-S-ALL-06(ver.0)(chrome plated)	SPHA.0	1	
25	YW80000801500	API insulated plate direct connector APH8(ArTAC)	Assembly	1	
24		Discharge plate*	Assembly	1	
23		Hopper body	Assembly	1	
22	YR10121300200	Slide separator fastener SHR-25EB-A-11(ver.0)(K steel, galvanized mould)**	Assembly	2	
21		Pipe clamp assembly	Assembly	1	
20	YW64040700100	Non-metal insert hex lock nut GB/T889.1 M4	Assembly	8	
19	BL27002401620	Inlet pipe*	Rubber	1	
18	YR10243600000	Swivel pipe round fastener SAL-24U/360(lhas mould)**	SUS201	1	
17		2.5" suction pipe	Assembly	1	
16	BY20006300150	Vacuum breaking valve SPDY-63(24VDC)(VER.B)	SPPCC1.5	1	
15		Daphragm cover	YL112	1	
14	BW2001200004.0	Alu. square handle 120L(M6 hole) black	SUS201	1	
13		Hopper cover	Assembly	1	
12		Hopper cover	Assembly	1	
11		Filter screen*	Assembly	1	
10		Hopper(lupper)	SUS304	1	
9	YE67000940000	Cable lock head PG9	ABS	2	
8	BH90615000010	Central box lower cover SHR-6U-S-A-5(1) white*	Assembly	1	
7	YE10118400000	White alternative switch RH-8/AP 24VAC/DC Xian Fang*	Assembly	1	
6	BH110036001510	Magnet sleeve SHR-36U-ALL-06(ver.0)	H58	1	
5		Magnet cover	SUS201	1	
4	YW90257700000	Permanent magnet φ25-φ7x7	Per. mag.	1	
3	BW20000630500	Pressing block SAL-6U-A-13 polished	YL112	4	
2		Base fastener *	EVA2.0	1	
1	BH13003601510	Base SHR-36U-ALL-09(lhas mould)(processed/ver.0)	AC4B	1	

Title		Drawing no.		Scale	
SHR-36U-S		SHR-36U-S		1:7	
Central Vacuum Hopper		(for assembly drawing)		Mat. Assembly	
Dra.		Ver.		Surface req.	
Desi.		App. by		Mat. No.	
Check		Date			
Mod. by		Date			
After Mod.		Date			
Mark		Before Mod.			





“\*”Indicates the items that may be damaged; “\*\*\*” indicates the items that are more likely to be damaged. It is recommended to back them up. Please confirm the version number of the instruction manual before placing an order to purchase spare parts, so as to ensure that the material number of spare parts is consistent with the physical one.

No.	Material number	Name	Material	Number	Remarks
12	YW80010800000	Copper silencer 1/8"(has mould)		2	
11	YW80061800200	L-type screw connector APL6-011/8-φ6(AirTAC)		2	
10	YE32421000300	Solenoid valve 4V210-06/DC24V AirTAC*		1	
9	YW80081800100	L-type screw connector APL8-011/8-φ8(AirTAC)		1	
8	YW80061800000	Adjustable pipe connector ASL6-1/8		2	
7	YE31326000100	Cylinder MBL32×60U(AirTAC)*		1	
6	YW644101250000	Anti-loose nut M10×1.25(thread)		1	
5	YR202362000000	O-type seal ring inner dia. 23.6 section dia. 2.65V (has mould)*		2	
4	BL90201000050	Solenoid valve fixed plate SPDV-63-A-01	SUS201	1	
3	BH90630200010	Cylinder nut SPDV-63-A-02(ver. B)	6061	1	
2	BL90201870020	Foot pad SPDV-63-A-03(SUS201)		2	
1	BH10252800010	Pneumatic diaphragm valve cover 2.5"SPDV-63-A-04	YL12	1	

Title		Drawing no.		Scale		Number		Remarks	
SPDV-63		SPDV-63(Assembly Drawing)		1:7		1		1	
Vacuum Separating Valve									
SHINI		信易電熱機械股份有限公司		Surface req.		Mat. No.		Assembly	
SHINI		Shini Plastics Technologies, Inc.							
Mark	Before Mod.	After Mod.	Mod. by	Date	App.	Check	Desi.	Dra.	Ver.