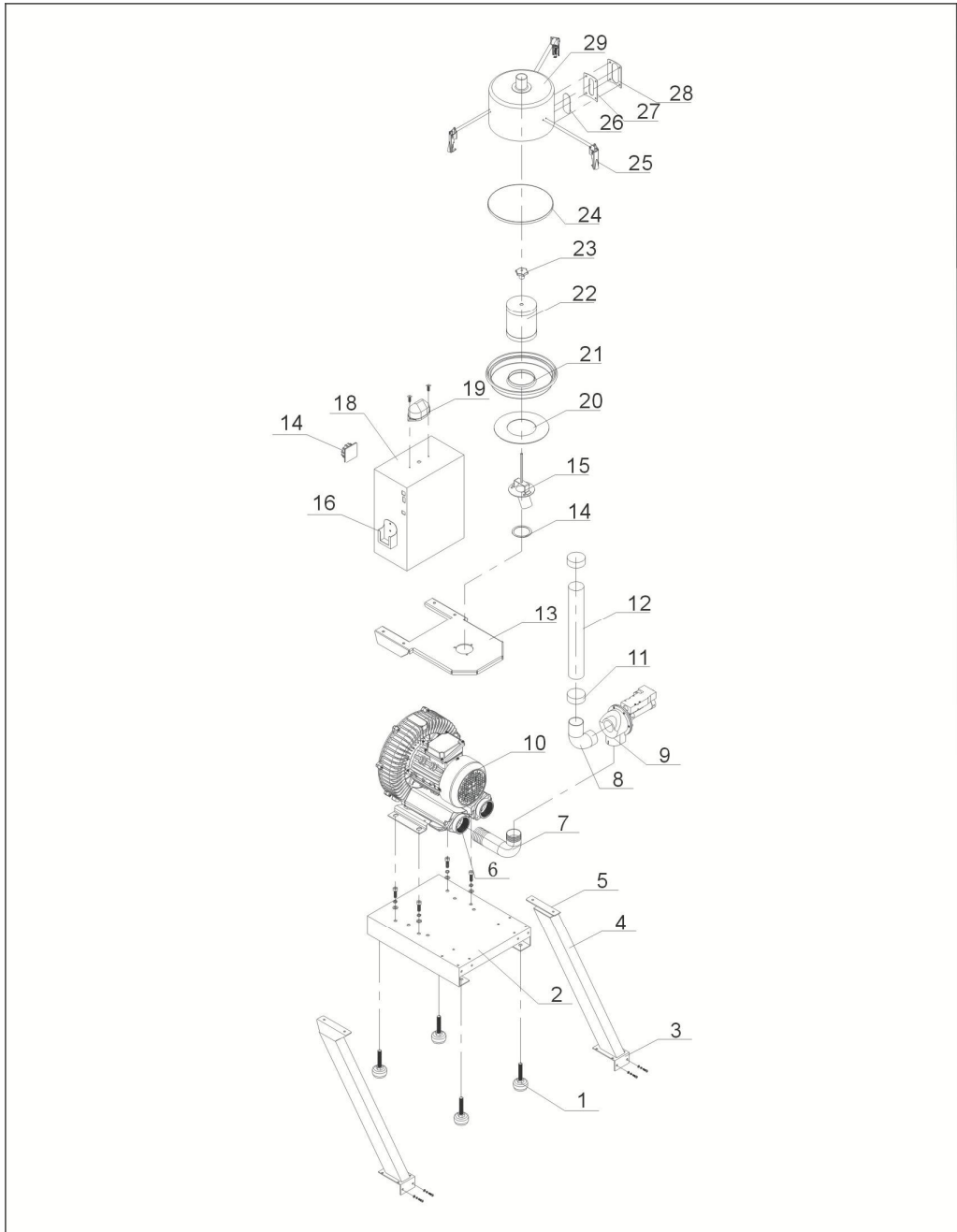


# 1. Assembly Drawing (SAL-1/2HP-UGP)



Remarks: Please refer to material list 2 for specific explanation of the Arabic numbers in parts drawing.

## 2. Parts List (SAL-1HP/2HP-UGP)

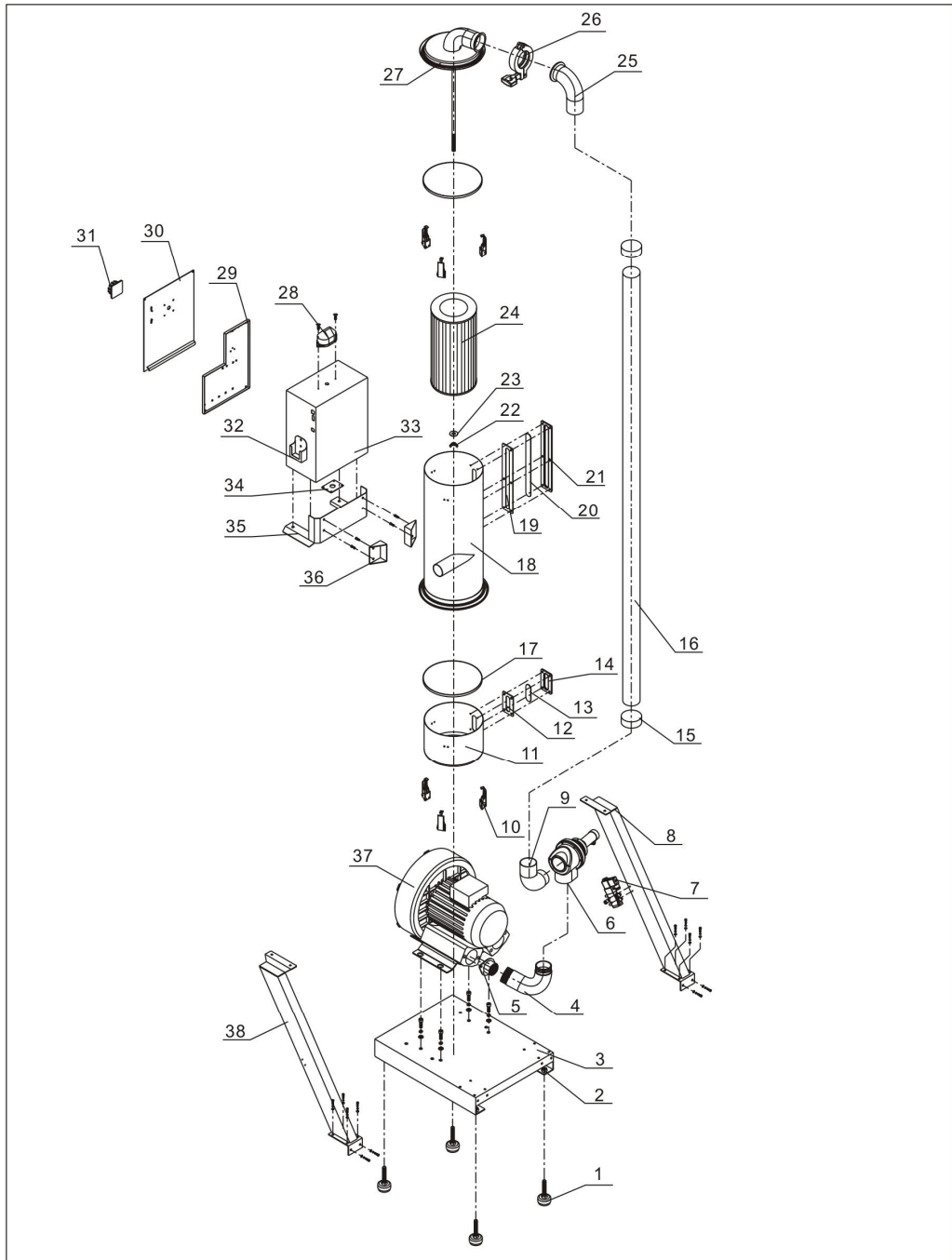
No.	Name	Part No.	No.	Name	Part No.
1	Anti-vibration pad	YW03005000000	15	Filter barrel lid assembly	-
2	Base	BL26000202420	16	Controller holder	BL26010241820
3	Lower welding block on column	-	17	Main switch *	YE10200300000
4	Standing post	BL26000202920	18	Control box	BL21000101920
5	Upper welding block on column	-	19	Alarm light	YE83305100200
6	Blower flange	-	20	Filter barrel lid barrel	YR10030000000
7	Air inlet pipe	BL21000200320	21	Filter barrel lid	-
8	Diaphragm valve connection pipe	-	22	Air filter*	YR50708000000
9	Vacuum breaking diaphragm valve	BY20015000050	23	Star nut	YW09051600000
10	High pressure pipe 1HP	BM30031000150	24	Filter container seal ring*	YR10708000100
	High pressure pipe 2HP	BM30042000050	25	Spring clip*	YW02003000400
11	Clip	YW02000200000	26	Acryl	BH32070000050
12	Steel wired plastic pipe	YR60157000000	27	Seal ring	YR40000400000
13	Filter fixing bracket	-	28	Iron sheet of 4-hole sight glass	YW09000000400
14	Filter barrel base fastener	-	29	Filter barrel	BL26000203621

\* means possible broken parts.

\*\* means easy broken part. and spare backup is suggested.

Please confirm the version of manual before placing the purchase order to guarantee that the item number of the spare part is in accordance with the real object.

### 3. Assembly Drawing (SAL-5HP-UGP)



Remarks: Please refer to material list 4 for specific explanation of the Arabic numbers in parts drawing.

#### 4. Parts List (SAL-5HP-UGP)

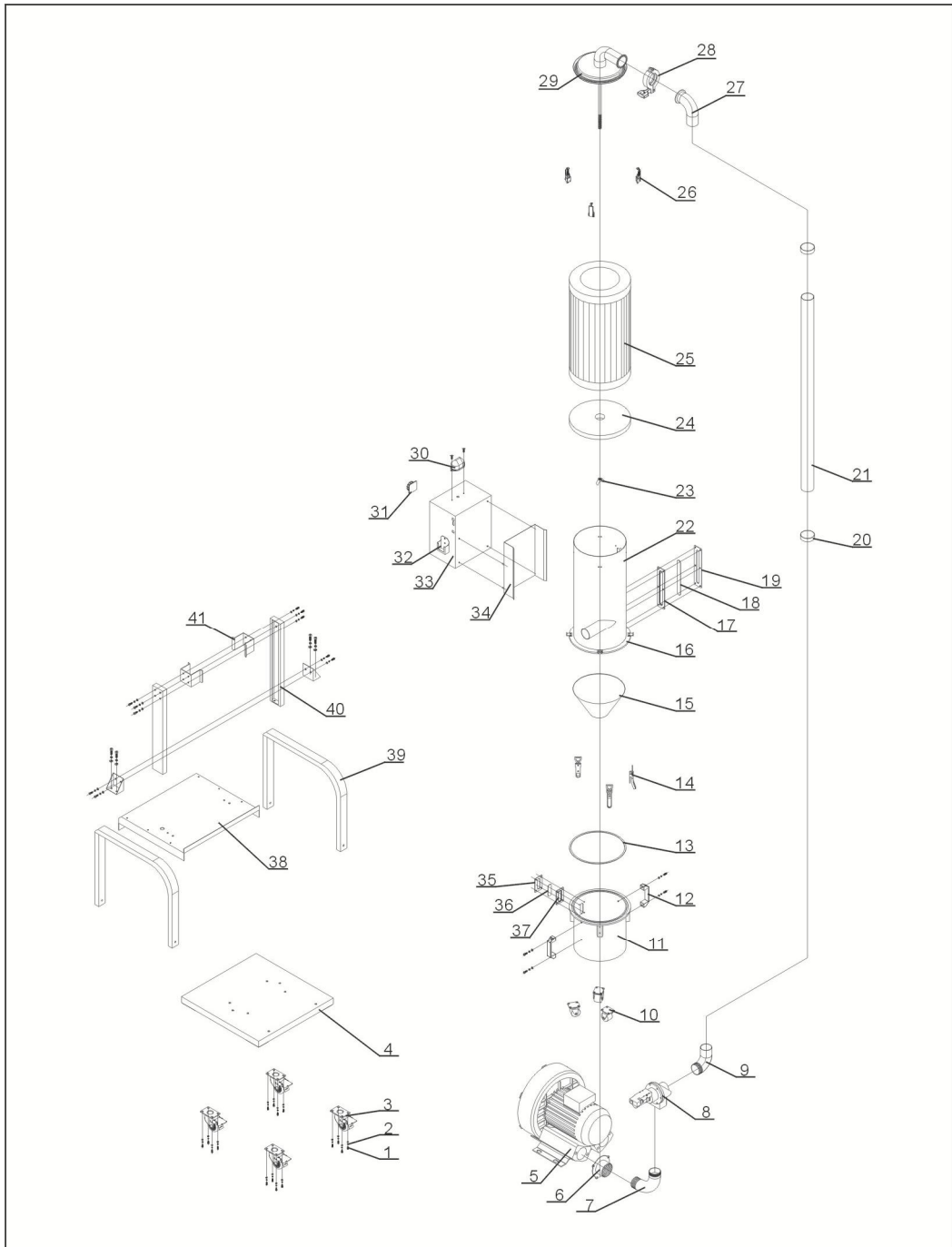
No.	Name	Part No.	No.	Name	Part No.
1	Anti-vibration pad ø50	YW03005000000	21	Iron sheet of 6-hole sight glass	YW09000600000
2	Nut M12	YW64012100000	22	Butterfly nut 5/16"	YW69051600000
3	Base	BL21003500120	23	Flat gasket 8	YW66082200100
4	Air inlet pipe	BL26000503220	24	Filter ADC2	YR50181100000
5	Blower flange	-	25	Air suction pipe	-
6	Vacuum breaking diaphragm valve assembly 2"	-	26	Clamp	YW07002500600
7	Solenoid valve	YE32421600000	27	Filter barrel cover assembly	BL26000503120
8	Right stand column	-	28	Alarm indicator	YE83305100200
9	Vacuum breaking diaphragm valve piping	BL26000503320	29	Control base board	-
10	Adjustable spring buckle	YW02003000400	30	Cover board	-
11	Dust collecting barrel	BL21003507921	31	Main power switch	YE10021160000
12	4-hole sight glass fastener	YR40000400000	32	Controller holder	-
13	4-hole arcył	YR40001200100	33	Control box	-
14	Iron sheet of 4-hole sight glass	YW09000000400	34	Line jig fixing plate insulation material	-
15	Stainless steel clamp 3"	YW02000300000	35	Filter barrel support	-
16	Steel wired plastic pipe 2.5"	YR60253000000	36	Control cabinet mounting plate	-
17	Fastener for filtering barrel	YR10080000300	37	High-pressure blower 5HP	BM30055000050
18	Filter barrel assembly	BL26000500920		High-pressure blower 5HP (double-stage)	YM30433700000
19	6-hole sight glass fastener	YR40000600000	38	Left stand column	-
20	6-hole arcył	YR40001200000			

\* means possible broken parts.

\*\* means easy broken part. and spare backup is suggested.

Please confirm the version of manual before placing the purchase order to guarantee that the item number of the spare part is in accordance with the real object.

## 5. Assembly Drawing (SAL-10HP-UGP)



Remarks: Please refer to material list 6 for specific explanation of the Arabic numbers in parts drawing.

## 6. Parts List (SAL-10HP-UG)

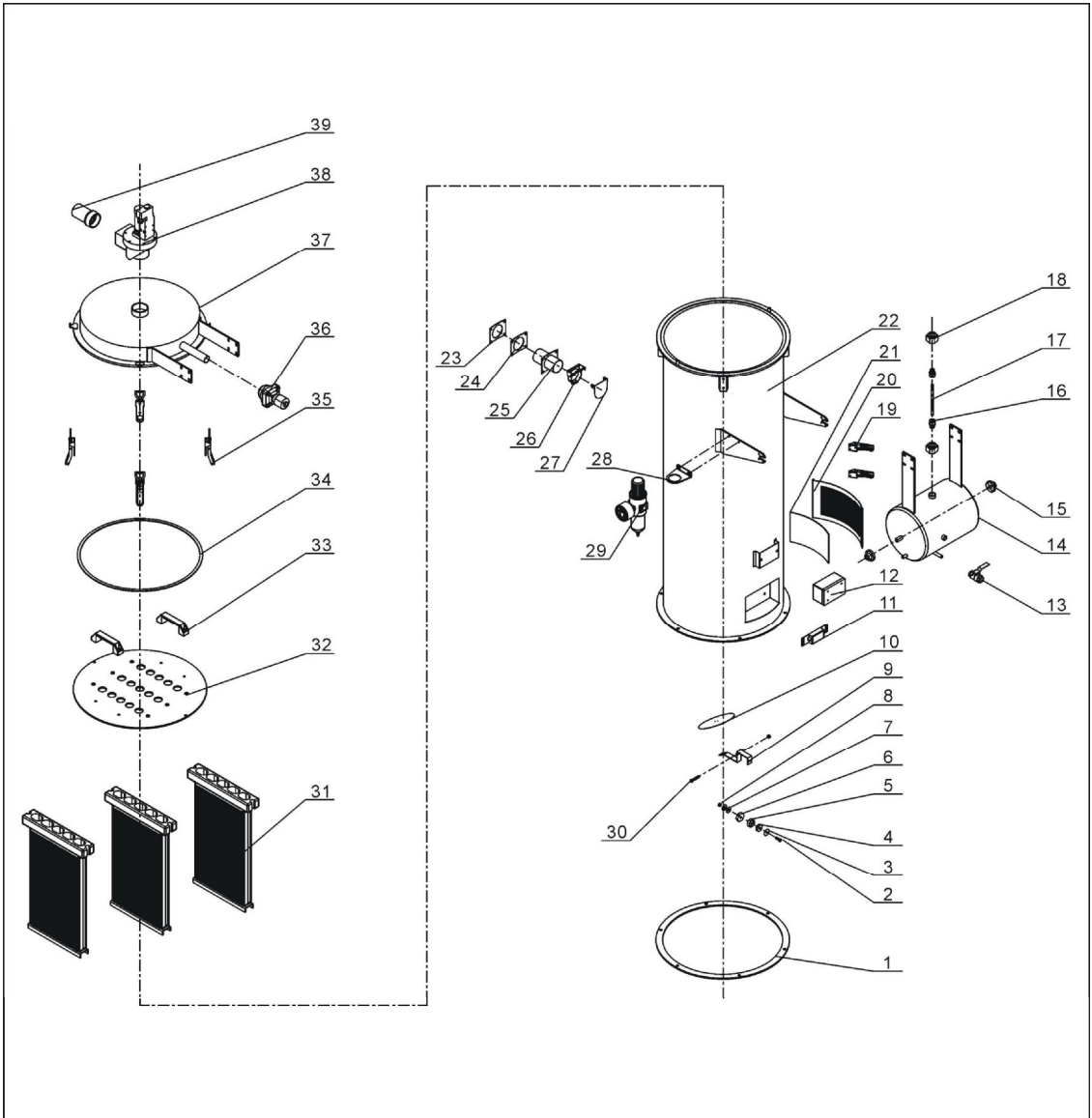
No.	Name	Part No.	No.	Name	Part No.
1	Hex. head screw	YW60084000200	21	Steel wire hose	YR60002500000
2	Spring washer	YW66081600000	22	Filter barrel assembly	-
3	3" movable castor	YW03000300200	23	Butterfly nut	YW69051600000
	3" castor with brake	YW03000300000	24	Filter fixing plate	BL26007504720
4	Base	BL26007502721	25	Air filter*	YR50221400000
5	High pressure blower 10HP	BM30081000050	26	Spring clip*	YW02003000400
	High pressure blower 10HP single-stage	YM30637500000	27	Filter barrel lid assembly	-
6	Blower flange	-	28	2.5" coupling clip	YW07002500600
7	Air inlet fastener	BL26007504920	29	Filter barrel lid assembly	-
8	Pneumatic diaphragm valve	BY20020000150	30	Alarm light	YE83305100200
9	Pneumatic valve coupling	BL26007502020	31	Main switch	YE10210300000
10	Castor	YW03002500000	32	Controller holder	BL26010241820
11	Dust collecting barrel	BL26007502421	33	Control cabinet	BL26007503521
12	Aluminium handle	BW20012000040	34	Control cabinet mounting plate	-
13	Dust collecting barrel seal ring*	-	35	Iron sheet of 4-hole sight glass	YW09000000400
14	Large handle	YW02003000100	36	Acryl	BH32070000050
15	Cyclone baffle	-	37	4-holes window seal ring	YR40000400000
16	Bottom ring of filter barrel	-	38	Middle board	-
17	6-holes window seal ring	YR40000600000	39	Supporting frame 1	-
18	Acryl	YR40001200000	40	Pillar of filter barrel	-
19	Iron sheet of 6-hole sight glass	YW09000600000	41	Filter fixing bracket	-
20	Clip	YW02002500000			

\* means possible broken parts.

\*\* means easy broken part. and spare backup is suggested.

Please confirm the version of manual before placing the purchase order to guarantee that the item number of the spare part is in accordance with the real object.

## 7. Assembly Drawing of Storage Hopper with Plate Filter



Remarks: Please refer to material list 8 for specific explanation of the Arabic numbers in parts drawing.

## 8. Parts List of Storage Hopper with Plate Filter

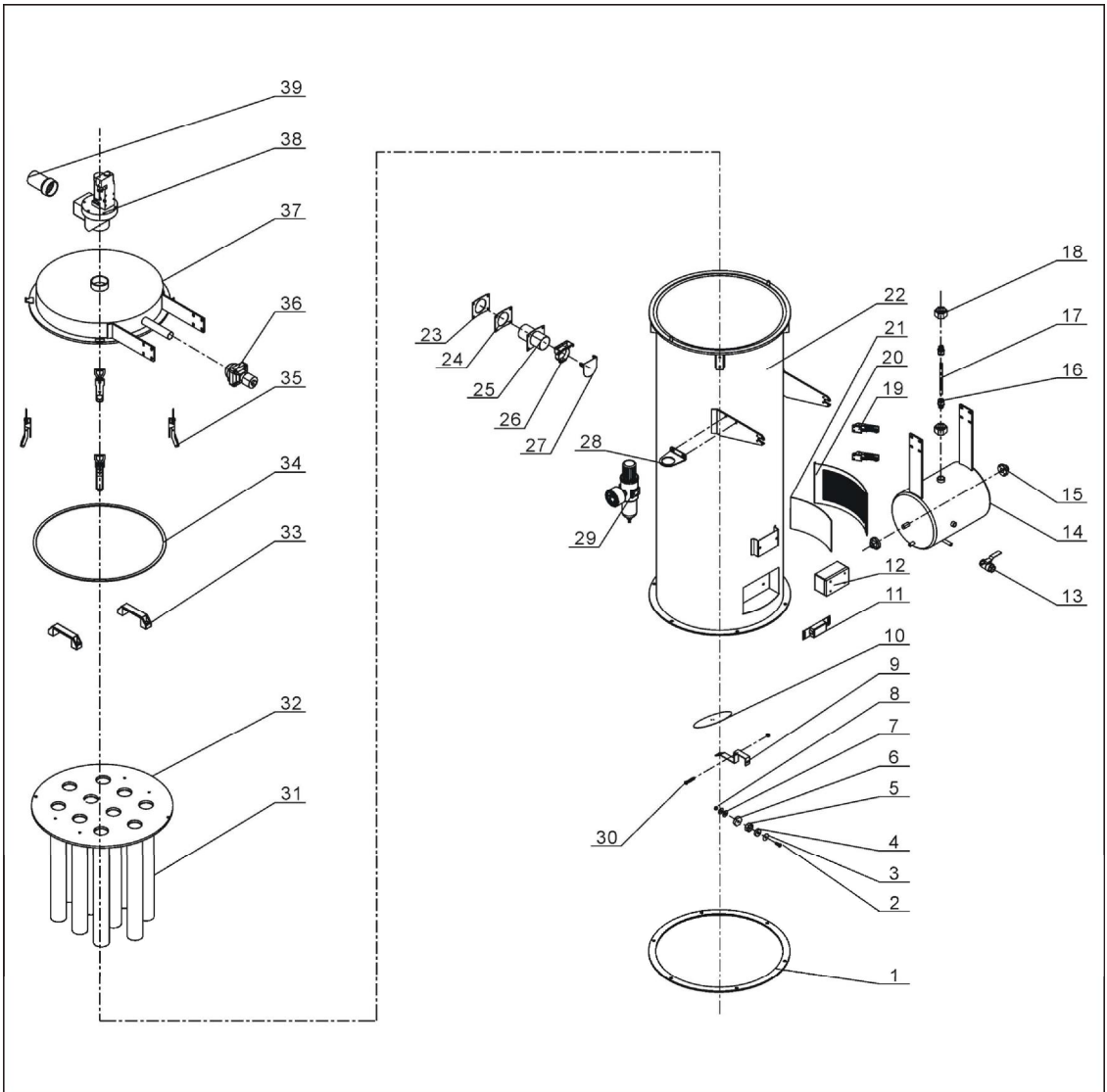
No.	Name	Part No.	No.	Name	Part No.
1	Fastener for filtering barrel	YR10010000200	21	Filter cloth	YP82050000000
2	Cruciform slot screw	YW63063000000	22	Filter barrel body	-
3	Magnet cover	BL21000600120	23	Fixing plate of suction pipe	-
4	Permanent magnet	YW90213700000	24	Fastener of the suction pipe	-
5	Magnet cover	BH12000600010	25	Suction pipe	-
6	Press block	-	26	Non-return flap	BL27002400920
7	Flat washer	YR40000400000	27	Non-return valve	-
8	Lockup nut	YW64000600200	28	Mounting bracket	YE30004200000
9	Connecting block for discharging plate	BL27006000020	29	Pressure regulating valves	YE30421400000
10	Discharging plate	BL27006001120	30	Cruciform slot screw	YW63064000000
11	The cover of sensor	-	31	Plate filter	YR50450500000
12	Control box	-	32	Flange for the filter	-
13	Ball valve 3/8"	YW50030800100	33	Square aluminum handle	BW20012000040
14	Air accumulator	BL27006000120	34	Filter barrel lid fastener	-
15	Fixing flange of the air accumulator	-	35	Big handle in new design	-
16	Air pipe coupling	YW80161200000	36	Diaphragm valve	YE30020000100
17	Air pipe	YR60161000000	37	Filter barrel lid	-
18	Copper connector	-	38	vacuum separating valve	BY20500000050
19	Spring clip**	YW02003000400	39	Air suction port coupling	BL27006001620
20	Air vent window	BL27006001320			

\* means possible broken parts.

\*\* means easy broken part. and spare backup is suggested.

Please confirm the version of manual before placing the purchase order to guarantee that the item number of the spare part is in accordance with the real object.

## 9. Assembly Drawing of the Storage Hopper with Bag Filter



Remarks: Please refer to material list 10 for specific explanation of the Arabic numbers in parts drawing.

## 10. Parts List of the Storage Hopper with Bag Filter

No.	Name	Part No.	No.	Name	Part No.
1	Fastener for filtering barrel	YR10010000200	21	Filter cloth	YP82050000000
2	Cruciform slot screw	YW63063000000	22	Filter barrel body	-
3	Magnet cover	BL21000600120	23	Fixing plate of suction pipe	-
4	Permanent magnet	YW90213700000	24	Fastener of the suction pipe	-
5	Magnet cover	BH12000600010	25	Suction pipe	-
6	Press block	-	26	Non-return flap	BL27002400920
7	Flat washer	YR40000400000	27	Non-return valve	-
8	Lockup nut	YW64000600200	28	Mounting bracket	YE30004200000
9	Connecting block for discharging plate	BL27006000020	29	Pressure regulating valves	YE30421400000
10	Discharging plate	BL27006001120	30	Cruciform slot screw	YW63064000000
11	The cover of sensor	-	31	Filtering bag SHR-P-30U-90U / SHR-P-12U	BP82774800044 BP82774000044
12	Control box	-	32	Flange for the filter	-
13	Ball valve 3/8"	YW50030800100	33	Square aluminum handle	BW20012000040
14	Air accumulator	BL27006000120	34	Filter barrel lid fastener	-
15	Fixing flange of the air accumulator	-	35	Big handle in new design	-
16	Air pipe coupling	YW80161200000	36	Diaphragm valve	YE30020000100
17	Air pipe	YR60161000000	37	Filter barrel lid	-
18	Copper connector	-	38	vacuum separating valve	BY20500000050
19	Spring clip**	YW02003000400	39	Air suction port coupling	BL27006001620
20	Air vent window	BL27006001320			

\* means possible broken parts.

\*\* means easy broken part. and spare backup is suggested.

Please confirm the version of manual before placing the purchase order to guarantee that the item number of the spare part is in accordance with the real object.