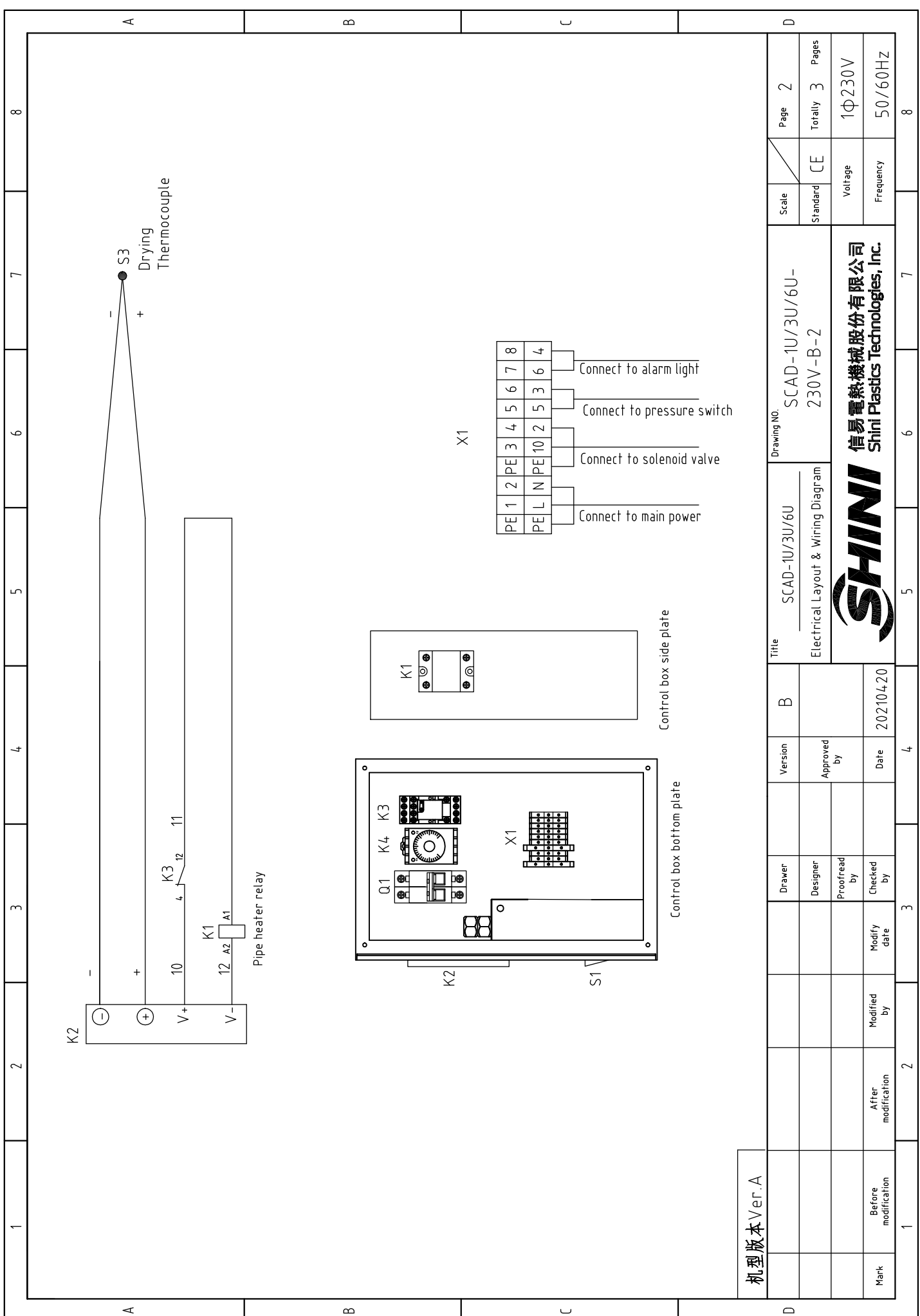


机型版本 Ver. A

Mark	Before modification	Modified by	Modify date	Checked by	Date	Approved by	Version	B	Title	SCAD-1U/3U/6U- Electrical Principle	Drawing No.	SCAD-1U/3U/6U- 230V-B-1	Scale	Standard	CE	Page	1
	After modification				20210420											Totally	3
																Voltage	1Φ230V
																Frequency	50/60HZ

SHINI
信易電熱機械股份有限公司
Shini Plastics Technologies, Inc.



机型版本 Ver.A

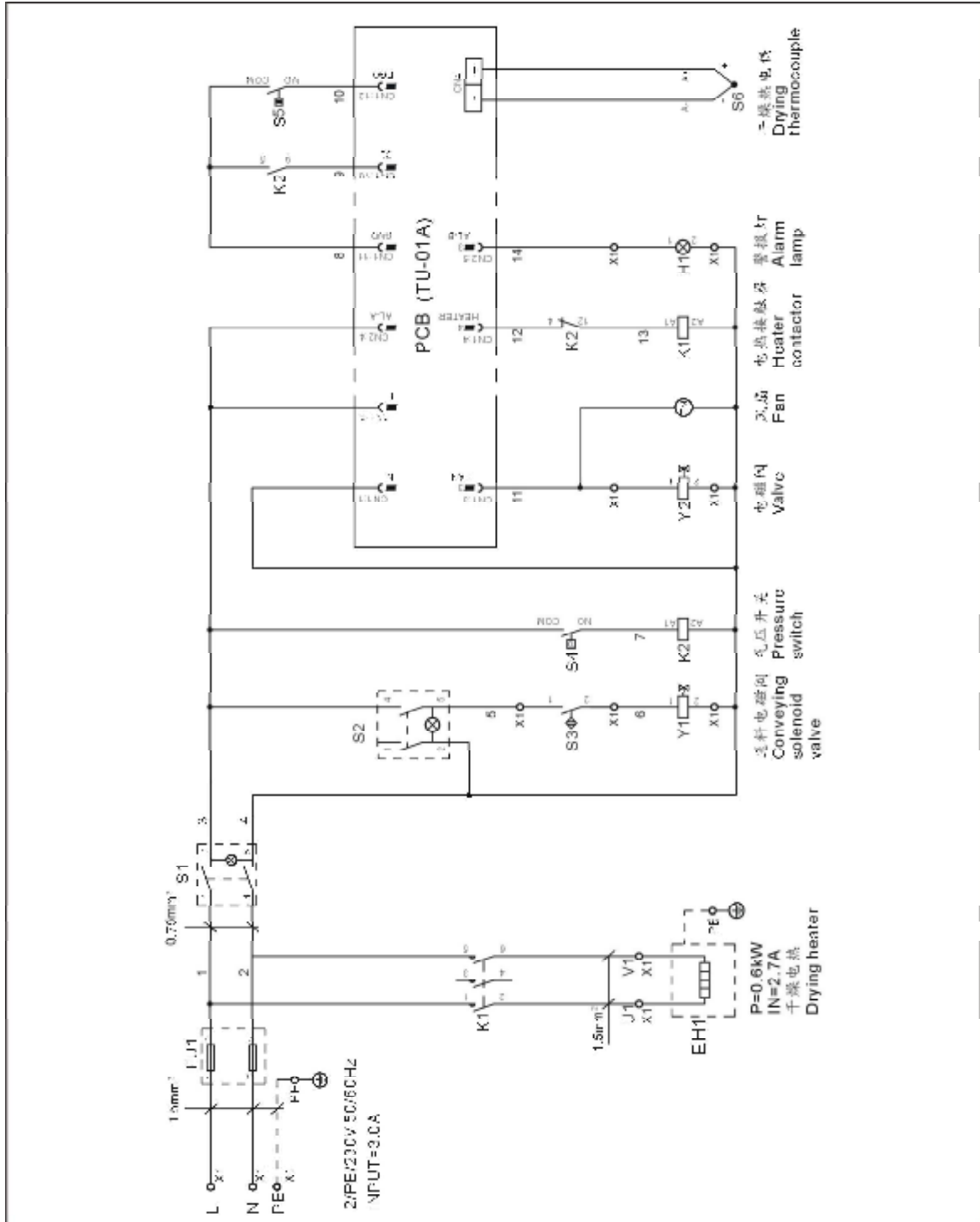
Mark	Before modification	Modified by	Modify date	Checked by	Date	20210420
	After modification	Modified by	Modify date	Proofread by	Approved by	
Drawer					Version	B
Title SCAD-1U/3U/6U Electrical Layout & Wiring Diagram						
Drawing No. SCAD-1U/3U/6U-230V-B-2						



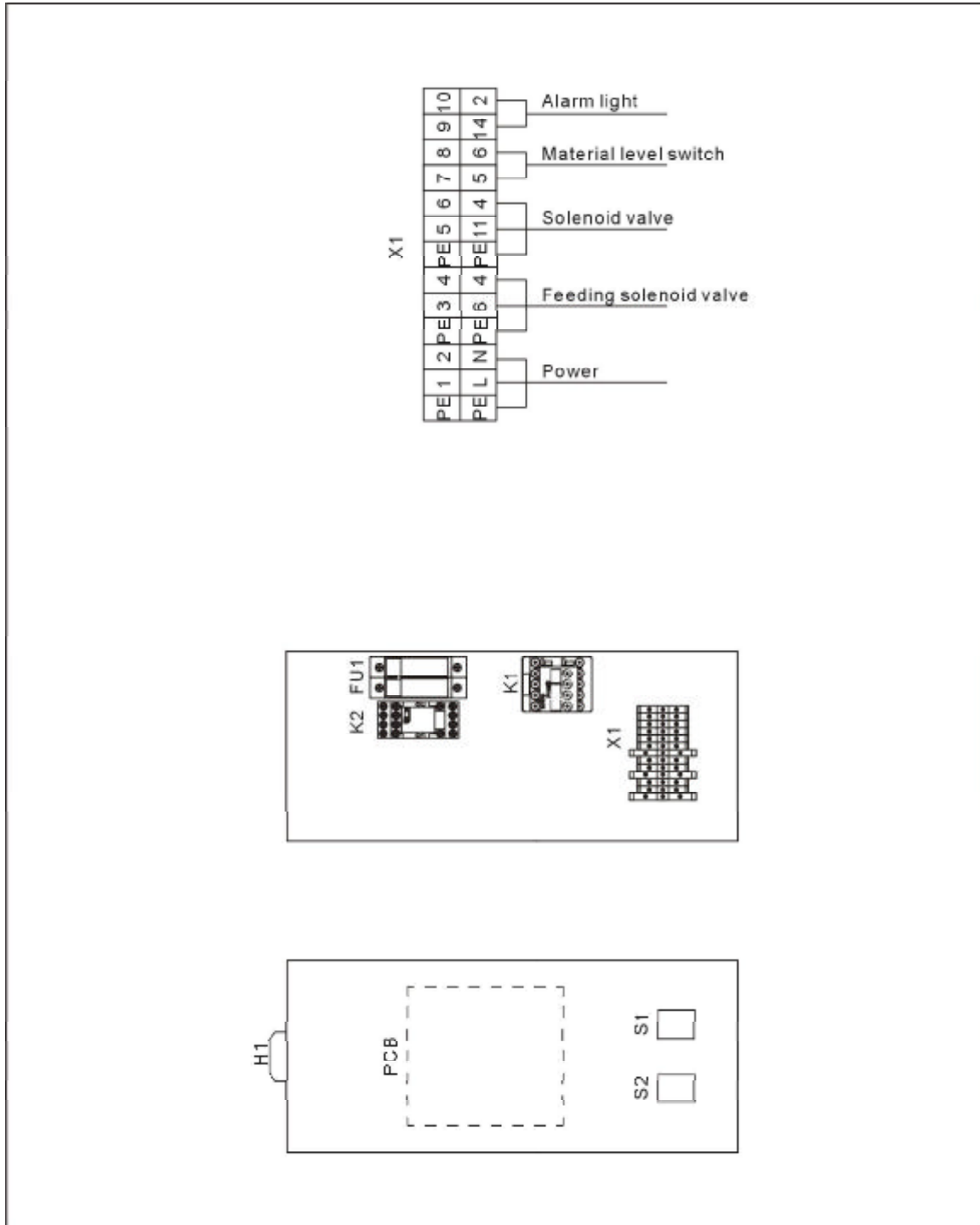
Scale	CE	Page	2
Standard	CE	Totally	3
Voltage		Pages	
Frequency			
		Voltage	1Φ230V
		Frequency	50/60HZ
			8

1		2		3		4		5		6		7		8																														
NO.	Symbol	Name	Manufacturer	Type	Specification	Number	Material number	Remark																																				
1	K1	Solid relay	FOTEK	RS1A40D40	24VDC	1	YE03404003200																																					
2	K2	Temp. controller	AICRO	V200 DC24V output	230V 50/60Hz	1	YE81020024000																																					
3	K3	Middle relay	WEIDMULLER	DRM270012LT	230V 50/60Hz	1	YE03270700000																																					
4	K4	Timer relay	YUYUN	TRF-N	230V 50/60Hz	1	YE86322000000																																					
5	Q1	Circuit breaker	TECO	BM-63C	10A 2P	1	YE40201000100																																					
6	S1	Alternative switch	REAB	T120/55	4P WH	1	YE10210400000																																					
7	S2	Pressure switch	-----	-----	1.5KG	1	-----																																					
8	S3	Thermocouple	SHINI	K	1.5m	1	BE90015000050	(1)																																				
9	H1	Alarm lamp	SHINI	LTE-3051	230VAC	1	YE83305100200																																					
10	X1	Terminal board	HOEYWELL	2.5mm ²	--	8	YE60002503200																																					
11			HOEYWELL	GK2.5PE	2.5mm ² PE	2	YE60002503400																																					
12	Y1	Solenoid valve	YADEKE	UD-10	230V 50/60Hz	1	-----	(1)																																				
13	EH1	Pipe heater	SHINI	0.7kW	230V 50/60Hz	1	-----	(1)																																				
A																																												
B																																												
C																																												
D																																												
机型版本 Ver.A Note: (1) Not in the control box assembly. <table border="1" style="width:100%; border-collapse: collapse;"> <tr> <td rowspan="2">Title</td> <td colspan="2">SCAD-1U/3U/6U</td> <td rowspan="2">Drawing No.</td> <td colspan="2">SCAD-1U/3U/6U-230V-B-3</td> <td>Scale</td> <td>Page</td> </tr> <tr> <td colspan="2">Electrical Parts List</td> <td>Standard</td> <td>CE</td> <td>Totally</td> <td>3</td> </tr> <tr> <td rowspan="2">Mark</td> <td>Before modification</td> <td>Modified by</td> <td>Modify date</td> <td colspan="2">After modification</td> <td>Voltage</td> <td>1Φ230V</td> </tr> <tr> <td></td> <td></td> <td>20210420</td> <td colspan="2"></td> <td>Frequency</td> <td>50/60HZ</td> </tr> </table>																Title	SCAD-1U/3U/6U		Drawing No.	SCAD-1U/3U/6U-230V-B-3		Scale	Page	Electrical Parts List		Standard	CE	Totally	3	Mark	Before modification	Modified by	Modify date	After modification		Voltage	1Φ230V			20210420			Frequency	50/60HZ
Title	SCAD-1U/3U/6U		Drawing No.	SCAD-1U/3U/6U-230V-B-3		Scale	Page																																					
	Electrical Parts List			Standard	CE	Totally	3																																					
Mark	Before modification	Modified by	Modify date	After modification		Voltage	1Φ230V																																					
			20210420			Frequency	50/60HZ																																					
<table border="1" style="width:100%; border-collapse: collapse;"> <tr> <td>SHINI</td> <td colspan="2">信易電熱機械股份有限公司</td> <td colspan="2">Shini Plastics Technologies, Inc.</td> <td colspan="2">SHINI</td> <td colspan="2">SHINI</td> </tr> </table>																SHINI	信易電熱機械股份有限公司		Shini Plastics Technologies, Inc.		SHINI		SHINI																					
SHINI	信易電熱機械股份有限公司		Shini Plastics Technologies, Inc.		SHINI		SHINI																																					
<table border="1" style="width:100%; border-collapse: collapse;"> <tr> <td>1</td> <td>2</td> <td>3</td> <td>4</td> <td>5</td> <td>6</td> <td>7</td> <td>8</td> </tr> </table>																1	2	3	4	5	6	7	8																					
1	2	3	4	5	6	7	8																																					

1. Electrical Diagram (SCAD-12U and Models Above)



2. Components Layout (SCAD-12U and Models Above)



3. Electrical Components List (SCAD-12U and Models Above)

No.	Symbol	Name	Specification	Part No.
1	K1	AC contactor	230V 50/60Hz	YE00601521000
2	K2	Middle relay	230V 50/60Hz	YE03270700000
3	PCB	PCB	230V 50/60Hz	YE80001100000
4	FU1	Fuse	2P	YE41032200000
5	-	Fuse core	6A	YE46006000100
6	S1 S2	Shift switch	4P WH	YE10210400000
7	S3	Level switch	-	YE15002000000
8	S4	Pressure switch	-	-
9	S5	Over temperature protection device	-	-
10	S6	Thermocouple	1.5m	BE90015000050
11	H1	Alarm lamp	230VAC	YE83305100200
12	X1	Terminal board	-	YE61250000000
13	-	-	-	YE61253500000
14	Y1 Y2	Solenoid valve**	230V 50/60Hz	-
15	EH1	Heater**	230V 50/60Hz	-

* means possible broken parts.

** means easy broken part. and spare backup is suggested.

Please confirm the version of manual before placing the purchase order to guarantee that the item number of the spare part is in accordance with the real object.