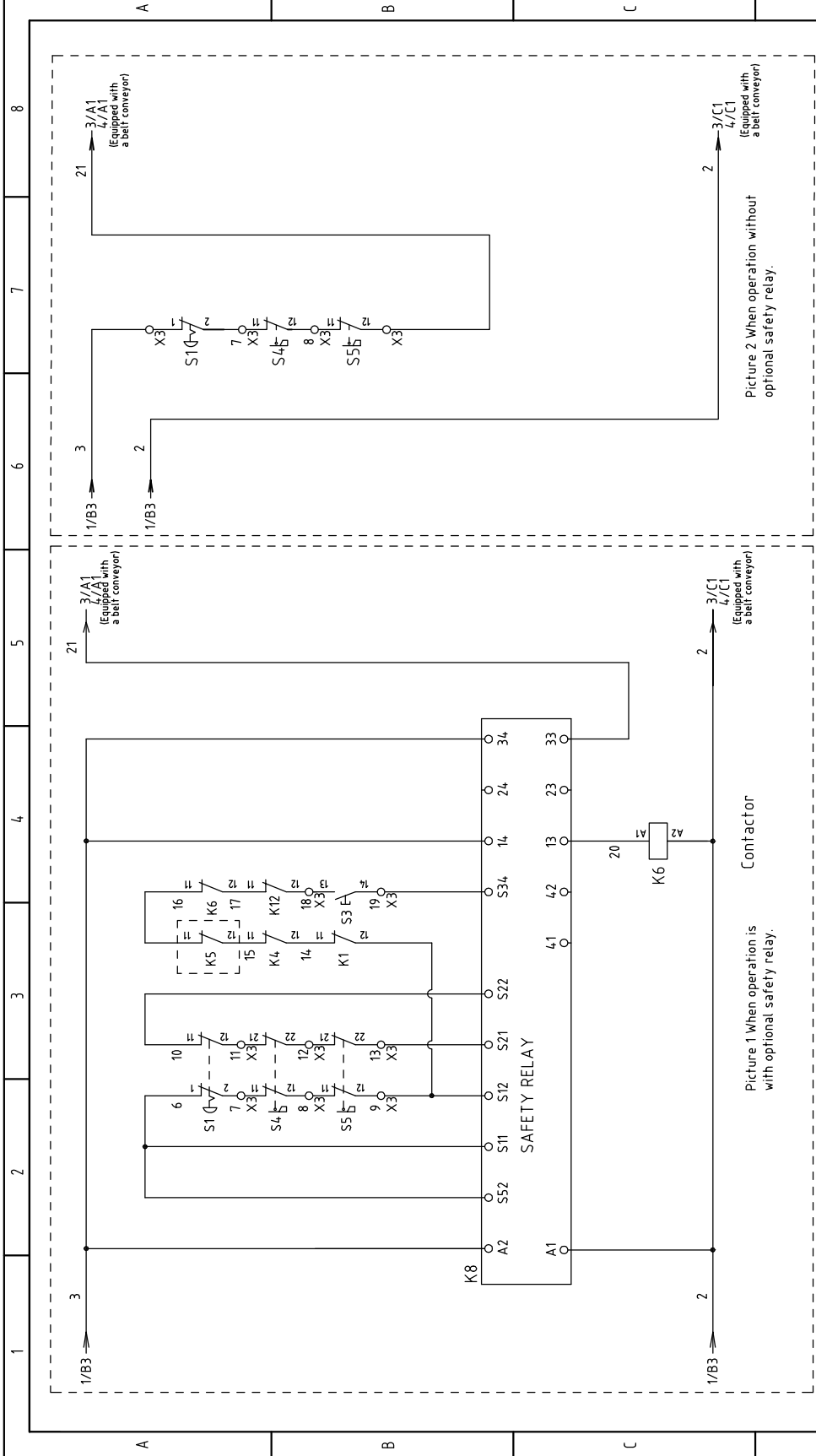


Note: it is used when augmented feeding blower is chosen. Q2=10A, F2=2.8-4A, P=1.5KW, IN=3.3A.

Ver.B		Scale		Page 1	
Mark	Before modification	Version	F	Standard	Totally 8
Modified by	Modify Date	Approved by		CE	Pages
Checked by	20170427	Date			4.00V
Proffread by					50Hz
Designer					
Drawer					
Title		Drawing No.		Page	
Main Circuit Diagram		SG-3650		1	
SG-3650-CE-4.00V-F-1		SG-3650		8	





Picture 1 When operation is with optional safety relay.

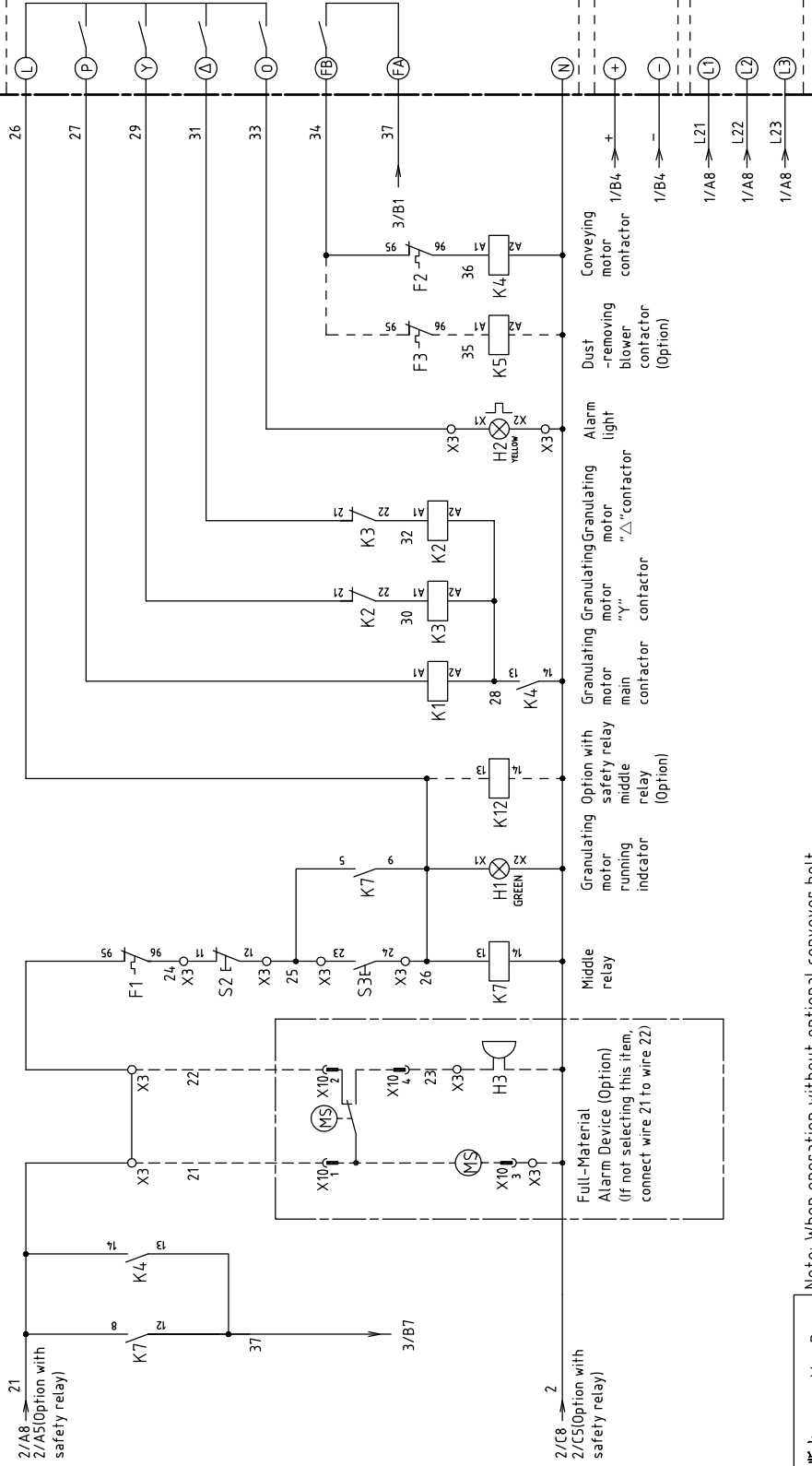
Picture 2 When operation without optional safety relay.

Mark	Before modification	Modified by	Modify date	Checked by	Date	20170427
				Proofread by	Approved by	
				Designer	Version	F
				Drawer		

Drawing NO.		SG-3650		Control Circuit Diagram 1		Title	
Standard		CE		SG-3650-CE-400V-F-2		Scale	
Voltage		400V		Page 2		Page 2	
Frequency		50HZ		Totally 8		Pages	

SHINI
信易塑料机械股份有限公司
Shini Plastics Technologies, Inc.

PCB(AB-02)

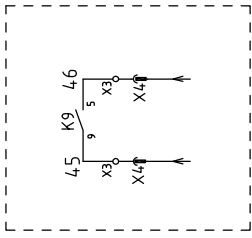


版本 Ver.B Note: When operation without optional conveyor belt.

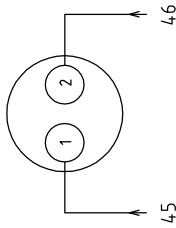
Drawing NO.		Scale		Page	
SG-3650		Standard		3	
Title		Standard		Totally	
Control Circuit Diagram 2		CE		8	
Version		Voltage		Pages	
F		400V		8	
Approved by		Frequency		Pages	
Date		50Hz		8	
Checked by		Voltage		Pages	
20170427		400V		8	
Modified by		Frequency		Pages	
Modify date		50Hz		8	
Before modification		Voltage		Pages	
After modification		400V		8	
Before modification		Frequency		Pages	
After modification		50Hz		8	



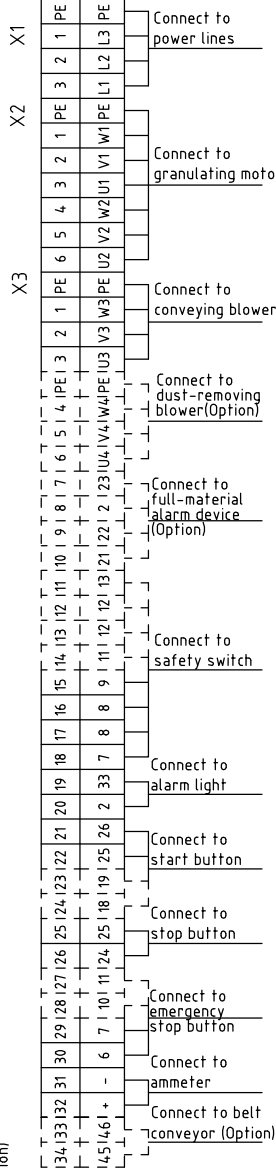
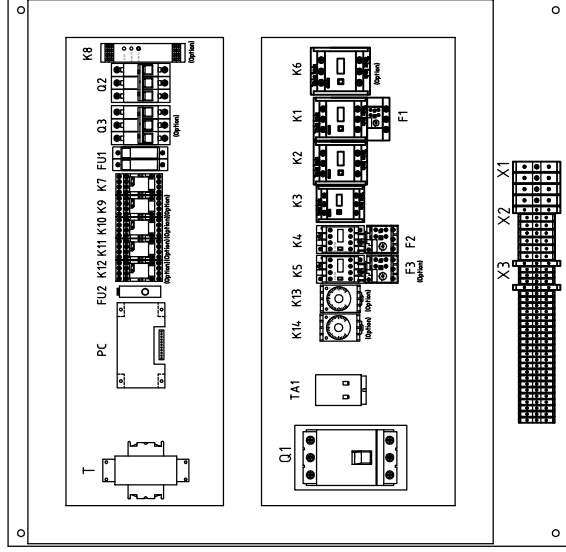
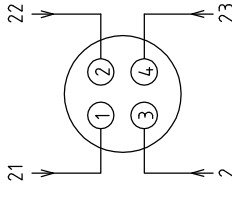
Control contact wiring diagram in collocation with belt conveyor



X4 Connection diagram of metal connectors
Connect to belt conveyor
(Option)



X10 Connection diagram of metal connectors
Connect to full-receive alarm device(option)



Version	Ver.B
Before modification	
After modification	
Mark	

Note: Not when worthy safety relays, will 6 terminals to 3, 9 terminals to 21.

Scale	Standard	CE	Page	5
Scale	Standard	CE	Totally	8
Scale	Standard	CE	Voltage	400V
Scale	Standard	CE	Frequency	50HZ
Drawing NO.	SG-3650-CE-400V-F-5			
Title	Electrical Components Layout			
Drawer		Version		
Designer		Approved by		
Proofread by		Date	20170427	
Checked by		Modify date		
Modified by		Modify date		




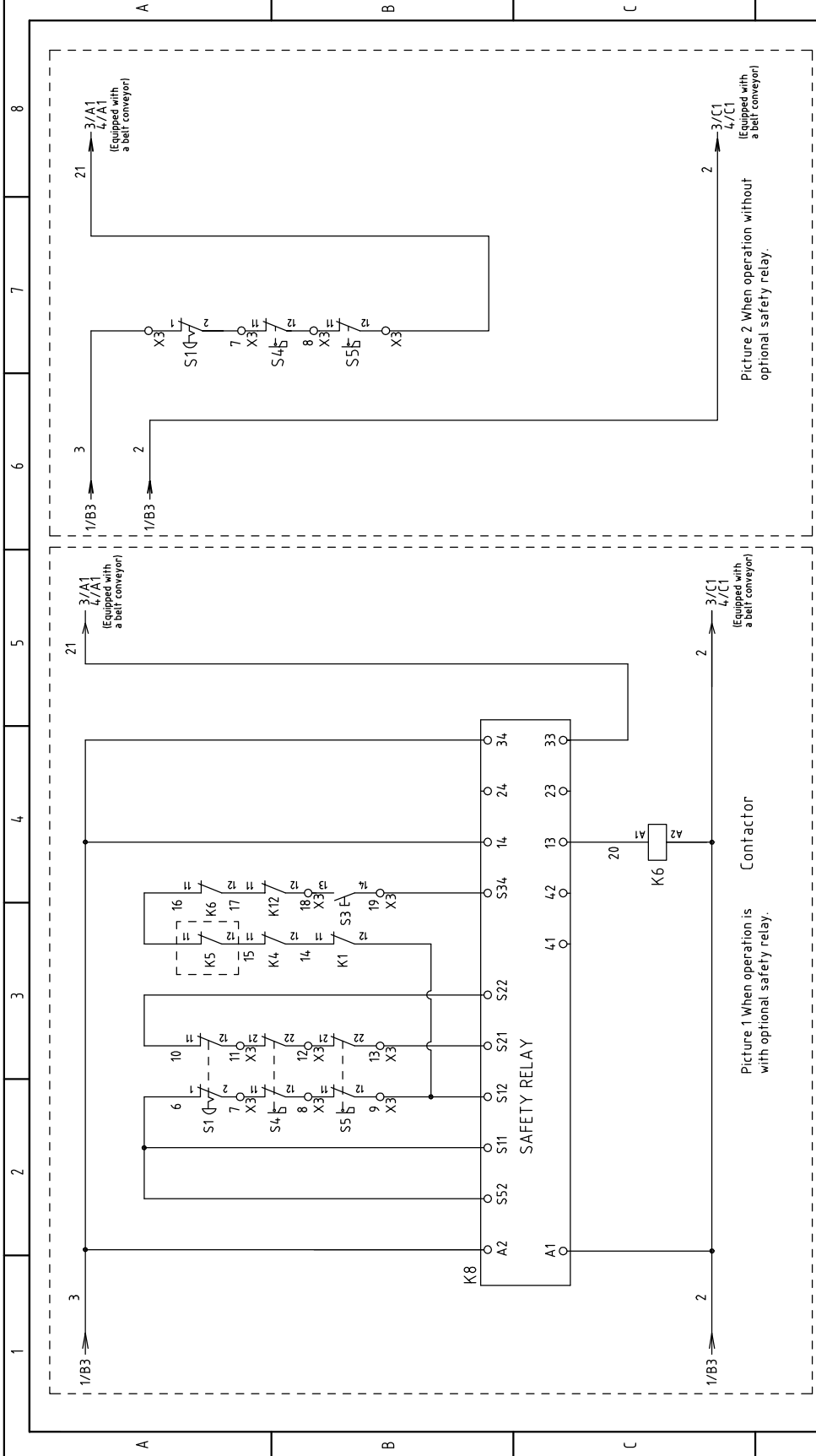
1		2		3		4		5		6		7		8	
NO.	Symbol	Name	Manufacturer	Type	Specification	Number	Material number	Remark							
1	Q1	Breaker interlock	ABB	A1A125TMF90	90A	1	YE41109200000								
2	Q2	Circuit breaker	TECO	BM-63C	6A	1	YE40300603000								
3	Q2	Circuit breaker	TECO	BM-63C	10A	1	YE40301003000	(6)							
4	Q3	Circuit breaker	TECO	BM-63C	6A	1	YE40300603000	(2)							
5	K1	Contact	SIEMENS	3RT6027-1AC20	24VAC 50/60Hz	1	YE00602702600								
6	K2	Contact	SIEMENS	3RT6027-1AC20	24VAC 50/60Hz	1	YE00602702600								
7	K3	Contact	SIEMENS	3RT6026-1AC20	24VAC 50/60Hz	1	YE00602602600								
8	K4	Contact	SIEMENS	3RT6015-1AB01	24VAC 50/60Hz	1	YE00601502500								
9	K4	Contact	SIEMENS	3RT6015-1AB01	24VAC 50/60Hz	1	YE00601502500	(6)							
10		Auxiliary contact	SIEMENS	3RH6911-1HA11	1NC+1NO	1	YE00691100100								
11	K5	Contact	SIEMENS	3RT6015-1AB02	24VAC 50/60Hz	1	YE00601502600	(2)							
12	K6	Contact	SIEMENS	3RT5035-1AC20	24VAC 50/60Hz	1	YE00503502600	(4)							
13		Auxiliary contact	SIEMENS	3RH5921-1CA01	1NC	1	YE00592110100	(4)							
14	K7	Middle relay	Honeywell	GR-2C-AC24V	24VAC	1	YE03022400300								
15	K7	Middle relay	Honeywell	GR-4C-AC24V	24VAC	1	YE03042400300	(5)							
16	K8	Safety relay	PILZ	PN0Zx2.8P	24V AC/DC	1	YE04023000000	(4)							
17	T	Transformer	BAIYUN	IN=400V OUT=24V	120VA	1	YE70402400700								
18	K9 K10 K11	Middle relay	Honeywell	GR-2C-AC24V	24VAC	3	YE03022400300	(5)							
19	K12	Middle relay	Honeywell	GR-2C-AC24V	24VAC	1	YE03022400300	(4)							
20	K13	Timer	YUYUN	TRF-N/3M	24VAC	1	YE86032400000	(5)							
21	K14	Timer	YUYUN	TH3A-NAB 60S	24VAC	1	YE86602400300	(5)							
22	F1	Overload relay	SIEMENS	3RU6126-4DB0	20-25A	1	YE01260200000								
23	F2	Overload relay	SIEMENS	3RU6116-1DB0	2.2-3.2A	1	YE01160220000								
24	F2	Overload relay	SIEMENS	3RU6116-1EB0	2.8-4A	1	YE01160280000	(6)							
25	F3	Overload relay	SIEMENS	3RU6116-1DB0	2.2-3.2A	1	YE01160220000	(2)							
版本		Ver.B		Notes: (1)Means it's not the material inside the control box. (2)Means optional accessories of dedusting blower.											
D				Title		Drawing NO.		Scale		Page		6		8	
				SG-3650		SG-3650		Electrical Components List 1		CE		Voltage		4.00V	
				F		Version		Approved by		Standard		CE		Frequency	
				Date		20170427								50Hz	
Mark		Before modification		Modified by		Modify date		Checked by		Date		20170427			
1		2		3		4		5		6		7		8	



SG-3650-CE-4.00V-F-6
Voltage: 4.00V
Frequency: 50Hz

1		2		3		4		5		6		7		8		
NO.	Symbol	Name	Manufacturer	Type	Specification	Number	Material number	Remark								
26	FU1	Fuse	CHNT	MRO/32A/2P	32A	1	YE41032200000									
27		Fuse core	CHNT	10x38 500V	2A	2	YE4600200100									
28	FU2	Fuse	YINDA	FS-10	2A	1	YE41001000000	A								
29		Glass tube	-----	-----	5A	1	YE46630500100									
30	X1	Terminal	HoneyWell	10mm ²	-----	3	YE60001003200									
31		Terminal	HoneyWell	10mm ² PE	-----	1	YE60001003500									
32	X2	Terminal	HoneyWell	4mm ²	-----	6	YE60000403200									
33		Terminal	HoneyWell	4mm ² PE	-----	1	YE60000403500									
34	X3	Terminal	HoneyWell	2.5mm ²	-----	17	YE60002503200									
35		Terminal	HoneyWell	2.5mm ² PE	-----	1	YE60002503400									
36		Terminal	HoneyWell	2.5mm ²	-----	3	YE60002503200	B								
37		Terminal	HoneyWell	2.5mm ² PE	-----	1	YE60002503400									
38		Terminal	HoneyWell	2.5mm ²	-----	4	YE60002503200									
39		Terminal	HoneyWell	2.5mm ²	-----	2	YE60002503200									
40		Terminal	HoneyWell	2.5mm ²	-----	8	YE60002503200									
41	X4	Metal joint	SHINI	PLT-162-RRR(△)	2P	1	YE68016200100	(1)(5)								
42	X10	Metal joint	SHINI	PLT-254PM	4P	1	YE68025400000	(1)(3)								
43		Metal joint	SHINI	PLT-254RF	4P	1	YE68025400100	(1)(3)								
44	S1	Emergency stop button	SCHNEIDER	XB2BS542C	400VAC	1	YE11254200000	(1)								
45		Contact block	SCHNEIDER	ZB2BE102C	1NC	1	YE00210203100	(1)(4)								
46	S2	Stop button	SCHNEIDER	XB2BA22C	400VAC	1	YE11222000000	(1)								
47	S3,H1	Start button	SCHNEIDER	XB2BW33B1C	24VAC	1	YE11233100000	(1)								
48		Contact block	SCHNEIDER	ZB2BE101C	1NO	1	YE00210103100	(1)(4)								
49	S4,S5	Safety switch	SCHMERSRC	AZ15-02ZVRK-1476	AZ-15	2	YE16147600100	(1)								
50	S4,S5	Safety switch	SCHMERSRC	AZ16-02ZVRK-1476	AZ-16	2	YE16147600000	(1)(4)								
版本		Ver.B	Note:(3) Means optional accessories of full-receive alarm device. (4)Stand for optional safety relay.													
D		Drawing NO.		Title		Scale		Page		Standard		Voltage		Pages		
		SG-3650		SG-3650		SG-3650-CE-400V-F-7		7		CE		400V		8		
Mark		Before modification	Modified by	Modify date	Checked by	Date	20170427		SHINI		信易塑料机械股份有限公司		Shini Plastics Technologies, Inc.		50HZ	
1		2		3		4		5		6		7		8		

1	2		3	4	5	6	7	8
NO.	Symbol	Name	Manufacturer	Type	Specification	Number	Material number	Remark
51	H2	Alarm light	SHINI	LED-3051	24VAC	1	YE83305100900	(1)
52	H3	Buzzer	TEND	EA-2	24VAC	1	YE84.240200000	(1)(3)
53	MS	Material level switch	SIPAI	SR-80	24VAC	1	YE15802400100	(1)(3)
54	PA	Ammeter	SFIM	DH-670	75/5A	1	YE25677500000	(1)
55	TA1	Current transformer	RATIO	RCT-35	75/5A	1	YE04750500000	(1)
56	TA2	Current transformer	YUYUN	-----	5-100A	1	-----	
57	PCB	PCB	YUYUN	AB-02	24VAC	1	YE80022400100	
58	M1	Granulating motor	-----	18.5KW	400V 50Hz	1	-----	(1)
59	M2	Suction blower	-----	1.1KW	400V 50Hz	1	-----	(1)
60	M2	Suction blower	-----	1.5KW	400V 50Hz	1	-----	(1)(6)
61	M3	Dust-removing blower	-----	1.1KW	400V 50Hz	1	-----	(1)(2)
A								
B								
C								
D								
版本 Ver.B Note: (5)Stand for conveying belt optional accessories. (6)Stand for options of the feeding blower to increase the power.								
			Drawer	Version	Title	Scale	Page	8
			Designer	F	SG-3650	Standard	Totally	8
			Proofread by	Approved by	Electrical Components List 3	CE	Voltage	4.00V
			Checked by	Date	20170427	Frequency	50Hz	
Mark			Modified by	Modify date				
Before modification								
After modification								
 信易塑料机械股份有限公司 Shini Plastics Technologies, Inc.								
					5	6	7	8



版本	Ver.B
Mark	Before modification
	After modification
	Modified by
	Modify date
	Checked by
	Date
	20170427
	Approved by
	Date
	20170427

Figure	SG-3675	Version	F
Control Circuit Diagram 1		Approved by	
		Checked by	
		Date	20170427

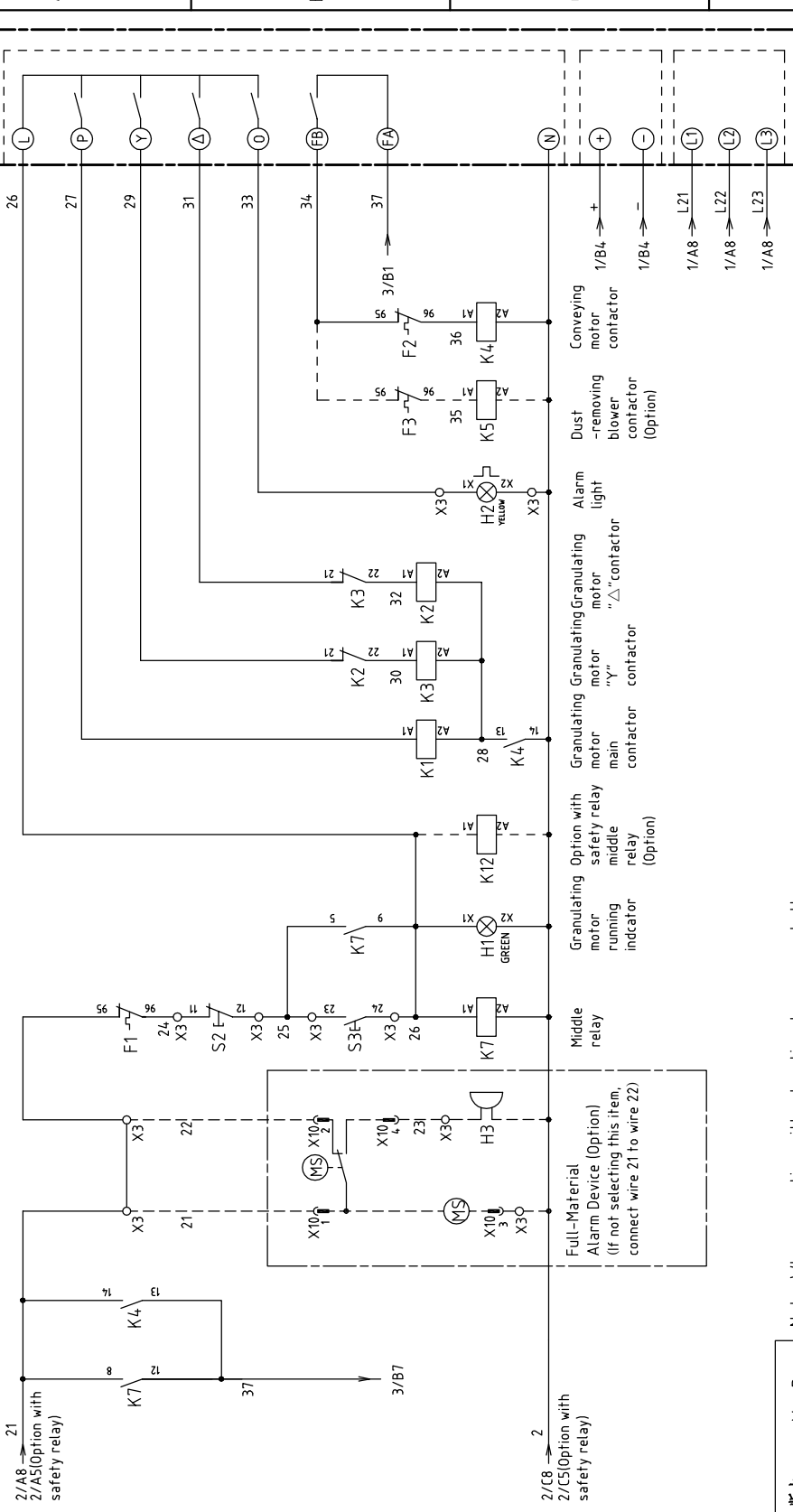
Drawing NO.	SG-3675-CE-400V-F-2	Scale	Page 2
		Standard	Totally 8
		Voltage	400V
		Frequency	50HZ



PCB(AB-02)

2/A8
2/A5(Option with safety relay)

2/C8
2/C5(Option with safety relay)

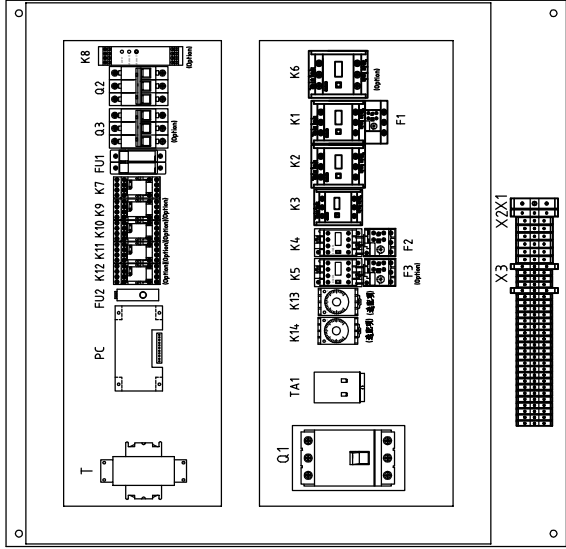
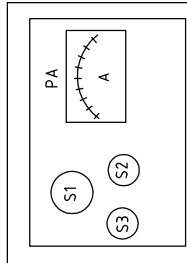
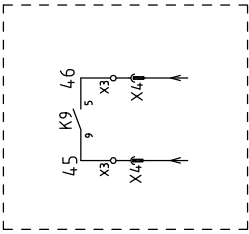


版本	Ver.B
Mark	Before modification
	After modification
	Modify date
	Checked by
	Proofread by
	Designer
	Drawer
	Version
	Approved by
	Date

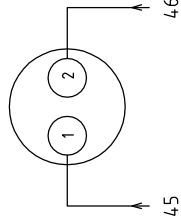
Note: When operation without optional conveyor belt.

Scale	Page	3
Standard	Totally	8
Voltage	Frequency	400V 50HZ
Title		Drawing NO.
SG-3675		SG-3675-CE-400V-F-3
Control Circuit Diagram 2		
SHINI 信易電熱機械股份有限公司 Shini Plastics Technologies, Inc.		

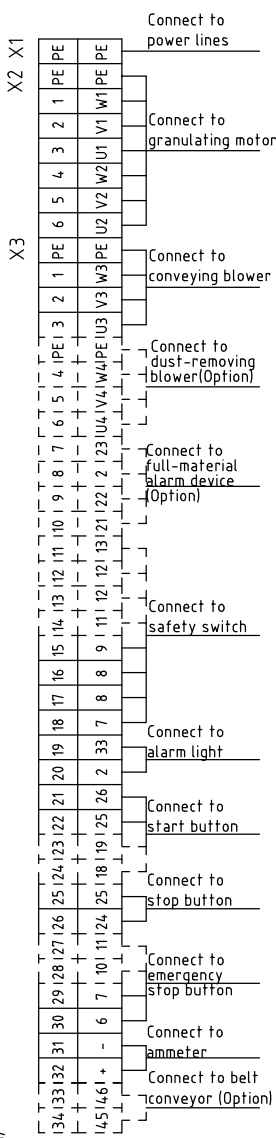
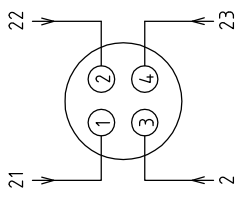
Control contact wiring diagram in collocation with belt conveyor



X4 Connection diagram of metal connectors
Connect to belt conveyor
(Option)



X10 Connection diagram of metal connectors
Connect to full-receive alarm device(option)



版本 Ver.B

Note: Not when worthy safety relays, will 6 terminals to 3, 9 terminals to 21.

Mark	Before modification	Modified by	Modify date	Date	20170427	Checked by	Approved by	Version	F	Title	Drawing NO.		Page
	After modification	Modified by	Modify date								SG-3675	SG-3675-CE-400V-F-5	Scale
											Voltage		4.00V
											Frequency		50HZ



1	2		3	4	5	6	7	8
NO.	Symbol	Name	Manufacturer	Type	Specification	Number	Material number	Remark
1	Q1	Breaker interlock	ABB	A1A125 TMF125	125A	1	YE411614-00000	
2	Q2	Circuit breaker	TECO	BM-63C/3P	10A	1	YE40301003000	
3	Q2	Circuit breaker	TECO	BM-63C/3P	10A	1	YE40301003000	(6)
4	Q3	Circuit breaker	TECO	BM-63C	6A	1	YE40300603000	(2)
5	K1	Contact	SIEMENS	3RT5035-1AC20	24VAC 50/60Hz	1	YE00503502600	
6		Auxiliary contact	SIEMENS	3RH5921-1CA01	1NC	1	YE00592110100	(4)
7	K2	Contact	SIEMENS	3RT5035-1AC20	24VAC 50/60Hz	1	YE00503502600	
8		Auxiliary contact	SIEMENS	3RH5921-1CA01	1NC	1	YE00592110100	
9		Auxiliary contact	SIEMENS	3RH5921-1CA10	1NO	1	YE00592110000	(5)
10	K3	Contact	SIEMENS	3RT6028-1AC20	24VAC 50/60Hz	1	YE00602802600	
11	K4	Contact	SIEMENS	3RT6015-1AB01	24VAC 50/60Hz	1	YE00601502500	
12	K4	Contact	SIEMENS	3RT6016-1AB01	24VAC 50/60Hz	1	YE00601602500	(6)
13		Auxiliary contact	SIEMENS	3RH6911-1HA11	1NC+1NO	1	YE00691100100	
14	K5	Contact	SIEMENS	3RT6015-1AB02	24VAC 50/60Hz	1	YE00601502600	(2)
15	K6	Contact	SIEMENS	3RT5044-1AC20	24VAC 50/60Hz	1	YE00504402600	(4)
16		Auxiliary contact	SIEMENS	3RH5921-1CA01	1NC	1	YE00592110100	(4)
17	K7	Middle relay	Honeywell	GR-2C-AC24V	24VAC	1	YE03022400300	
18	K7	Middle relay	Honeywell	GR-4C-AC24V	24VAC	1	YE03042400300	(6)
19	K8	Safety relay	PILZ	PN0Zx2.8P	24V AC/DC	1	YE04023000000	(4)
20	T	Transformer	BAIYUN	IN=400V OUT=24V	120VA	1	YE70402400700	
21	K9 K10 K11	Middle relay	Honeywell	GR-2C-AC24V	24VAC	3	YE03022400300	(5)
22	K12	Middle relay	Honeywell	GR-2C-AC24V	24VAC	1	YE03022400300	(4)
23	K13	Timer	YUYUN	TRF-N/3M	24VAC	1	YE86032400000	(5)
24	K14	Timer	YUYUN	TH3A-NAB 60S	24VAC	1	YE86602400300	(5)
25	F1	Overload relay	SIEMENS	3RU5136-4FB0	28-40A	1	YE01513600100	
版本 Ver.B Notes: (1)Means it's not the material inside the control box. (2)Means optional accessories of dedusting blower.								
				F	Title	Drawing NO.	Scale	Page
				Version	SG-3675	SG-3675-CE-400V-F-6	Standard	6
				Designer	Electrical Components List 1	CE	Voltage	8
				Proofread by			Frequency	Pages
				Checked by	Date	20170427	4.00V	50HZ
				Modified by	Modify date			
				Before modification				
				After modification				
Mark	1	2	3	4	5	6	7	8



1	2		3	4	5	6	7	8	
NO.	Symbol	Name	Manufacturer	Type	Specification	Number	Material number	Remark	
26	F2	Overload relay	SIEMENS	3RU6116-1EB0	2.8-4A	1	YE01160280000		
27	F2	Overload relay	SIEMENS	3RU6116-1FB0	3.5-5A	1	YE01160350000	(6)	
28	F3	Overload relay	SIEMENS	3RU6116-1DB0	2.2-3.2A	1	YE01160220000	(2)	
29	FU1	Fuse	CHNT	MRO/32A/2P	32A	1	YE41032200000	A	
30	FU2	Fuse core	CHNT	10x38 500V	2A	2	YE46002000100		
31	FU2	Fuse	YINDA	FS-10	2A	1	YE41001000000		
32		Glass tube	-----	-----	5A	1	YE46630500100		
33	X1	Terminal	HoneyWell	16mm ² PE	-----	1	YE60001603500		
34	X2	Terminal	HoneyWell	10mm ²	-----	6	YE60001003200		
35			HoneyWell	10mm ² PE	-----	1	YE60001003500		
36	X3	Terminal	HoneyWell	2.5mm ²	-----	17	YE60002503200	B	
37			HoneyWell	2.5mm ² PE	-----	1	YE60002503400		
38			HoneyWell	2.5mm ²	-----	3	YE60002503200	(2)	
39			HoneyWell	2.5mm ² PE	-----	1	YE60002503400	(2)	
40			HoneyWell	2.5mm ²	-----	4	YE60002503200	(3)	
41			HoneyWell	2.5mm ²	-----	2	YE60002503200	(5)	
42			HoneyWell	2.5mm ²	-----	8	YE60002503200	(4)	
43	X4	Metal joint	SHINI	PLT-162-RR(Δ)	2P	1	YE68016200100	(1)(5)	
44	X10	Metal joint	SHINI	PLT-254-PM	4P	1	YE68025400000	(1)(3)	
45			-----	PLT-254-RF	4P	1	YE68025400100	(1)(3)	
46	S1	Emergency stop button	SCHNEIDER	XB2BS42C	4.00VAC	1	YE11254200000	(1)	
47		Contact block	SCHNEIDER	ZB2BE102C	1NC	1	YE00210203100	(1)(4)	
48	S2	Stop button	SCHNEIDER	XB2BA22C	4.00VAC	1	YE11222000000	(1)	
49	S3,H1	Start button	SCHNEIDER	XB2BW33B1C	24VAC	1	YE11233100000	(1)	
50		Contact block	SCHNEIDER	ZB2BE101C	1NO	1	YE00210103100	(1)(4)	
版本		Ver.B	Note:(3) Means optional accessories of full-receive alarm device. (4)Stand for optional safety relay.						
			Drawer	Version	F	Title		D	
			Designer	Approved by		SG-3675		Scale	
			Proofread by			Electrical Components List 2		Standard	
			Checked by	Date	20170427			Page 7	
			Modified by	Modify date				Page 8	
			Before modification	After modification				Voltage	
								Frequency	
								4.00V	
								5.0HZ	
								CE	
								Totally 8	
								Pages	
								8	
								4.00V	
								5.0HZ	
								CE	
								Totally 8	
								Pages	
								8	
								4.00V	
								5.0HZ	
								CE	
								Totally 8	
								Pages	
								8	
								4.00V	
								5.0HZ	
								CE	
								Totally 8	
								Pages	
								8	
								4.00V	
								5.0HZ	
								CE	
								Totally 8	
								Pages	
								8	
								4.00V	
								5.0HZ	
								CE	
								Totally 8	
								Pages	
								8	
								4.00V	
								5.0HZ	
								CE	
								Totally 8	
								Pages	
								8	
								4.00V	
								5.0HZ	
								CE	
								Totally 8	
								Pages	
								8	
								4.00V	
								5.0HZ	
								CE	
								Totally 8	
								Pages	
								8	
								4.00V	
								5.0HZ	
								CE	
								Totally 8	
								Pages	
								8	
								4.00V	
								5.0HZ	
								CE	
								Totally 8	
								Pages	
								8	
								4.00V	
								5.0HZ	
								CE	
								Totally 8	
								Pages	
								8	
								4.00V	
								5.0HZ	
								CE	
								Totally 8	
								Pages	
								8	
								4.00V	
								5.0HZ	
								CE	
								Totally 8	
								Pages	
								8	
								4.00V	
								5.0HZ	
								CE	
								Totally 8	
								Pages	
								8	
								4.00V	
								5.0HZ	
								CE	
								Totally 8	
								Pages	
								8	
								4.00V	
								5.0HZ	
								CE	
								Totally 8	
								Pages	
								8	
								4.00V	
								5.0HZ	
								CE	
								Totally 8	
								Pages	
								8	
								4.00V	
								5.0HZ	
								CE	
								Totally 8	
								Pages	
								8	
								4.00V	
								5.0HZ	
								CE	
								Totally 8	
								Pages	
								8	
								4.00V	
								5.0HZ	
								CE	
								Totally 8	
								Pages	
								8	
								4.00V	
								5.0HZ	
								CE	
								Totally 8	
								Pages	
								8	
								4.00V	
								5.0HZ	
								CE	
								Totally 8	
								Pages	
								8	
								4.00V	
								5.0HZ	
								CE	
								Totally 8	
								Pages	
								8	
								4.00V	
								5.0HZ	
								CE	
								Totally 8	
								Pages	
								8	
								4.00V	
								5.0HZ	
								CE	
								Totally 8	
								Pages	
								8	
								4.00V	
								5.0HZ	
								CE	
								Totally 8	
								Pages	
								8	
								4.00V	
								5.0HZ	
								CE	
								Totally 8	
								Pages	
								8	
								4.00V	
								5.0HZ	
								CE	
								Totally 8</	

1		2		3		4		5		6		7		8	
NO.	Symbol	Name	Manufacturer	Type	Specification	Number	Material number	Remark							
51	S4,S5	Safety switch	SCHMERSRC	AZ15-02ZVRK-1476	AZ-15	2	YE16147600100	(1)							
52	S4,S5	Safety switch	SCHMERSRC	AZ16-02ZVRK-1476	AZ-16	2	YE16147600000	(1)(4)							
53	H2	Alarm light	SHINI	LED-3051	24VAC	1	YE83305100900	(1)							
54	H3	Buzzer	TEND	EA-2	24VAC	1	YE84240200000	(1)(3)							
55	MS	Material level switch	SIPAI	SR-80	24VAC	1	YE15802400100	(1)(3)							
56	TA1	Current transformer	RATIO	RQT-10	100/5A	1	YE04100500000								
57	PA	Ammeter	SFIM	DH-670	100/5A	1	YE25671000000	(1)							
58	TA2	Current transformer	YUYUN	-----	5-100A	1	-----								
59	PCB	PCB	YUYUN	AB-02	24VAC	1	YE80022400100								
60	M1	Granulating motor	-----	30KW	400V 50Hz	1	-----	(1)							
61	M2	Suction blower	-----	15KW	400V 50Hz	1	-----	(1)							
62	M2	Suction blower	-----	2.2KW	400V 50Hz	1	-----	(1)(6)							
63	M3	Dust-removing blower	-----	1.1KW	400V 50Hz	1	-----	(1)(2)							
A															
B															
C															
D															
版本 Ver.B Note: (5)Stand for conveying belt optional accessories. (6)Stands for options of the feeding blower to increase the power.															
				Title SG-3675		Drawing NO. SG-3675-CE-400V-F-8		Scale		Page 8		Standard CE		Voltage 400V	
				Version F		Electrical Components List 3		Approved by		Totally 8		Pages		Frequency 50Hz	
Mark		Before modification		Modified by		Date 20170427		Checked by		SHINI		Shini Plastics Technologies, Inc.			
1		2		3		4		5		6		7		8	