

14	YW65008000100	Standard spring washer GB/T93 8-Longzine
13	YW61082000200	Inner hexagon cylinder head screw GB/T70.1 M8x20-12.9-Longzine
12	-	Belt pulley left cover bracket
11	-	Belt pulley right cover bracket
10	YW64000800100	Non-metal inserted hexagon lock nut M8
9	-	Upper pulley cover
8	-	Lower pulley cover
7	YW61167500000	Hexagon bolt GB/T5783 M16x75-12.9-Longzine
6	YW66163000000	Flat washer A grade GB/T97.1 16(17.5x30x3)-Longzine
5	YW65016200000	Spring washer 16
4	YW60164000000	Hexagon bolt GB/T5783 M16x40-12.9-Longzine
3	-	Motor mounting base
2	YW61161000000	Inner hexagon cylinder head screw GB/T70.1 M16x100-12.9-Longzine
1	YW64001600000	Hexagonal nut GB/T6170 M16-Longzine

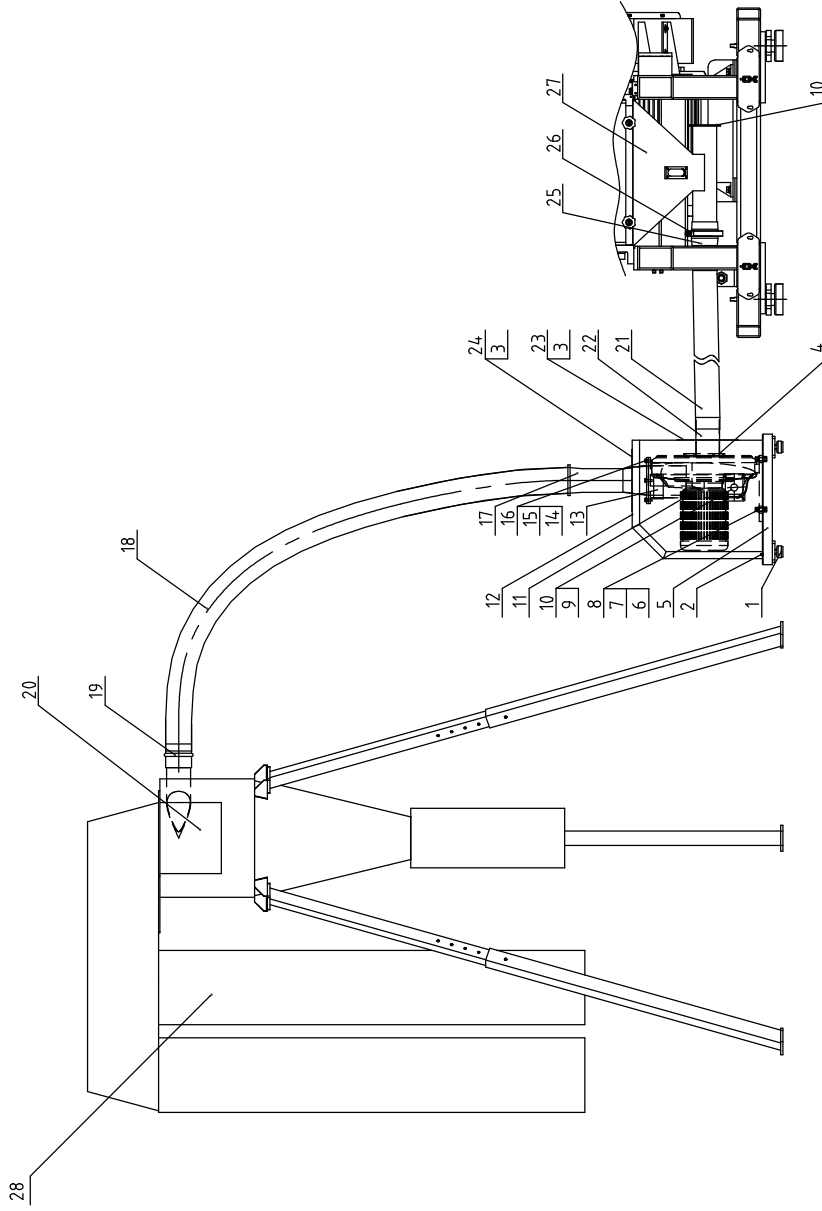
22	YW66164000000	Washer 16x4.0x5-Longzine (Non-standard)
21	YM10203700400	Motor W20 37KW-W225S-4P B3T IE3 400/690/460V
20	YM10203000400	Motor W20 30KW-200L-4P B3T IE3 400/690/460V
19	YW30302000000	Taper sleeve 3020(Hole diameterφ55)
18	YW30200400000	Motorbelt pulley SPC200x4
17	YR00280000000	V belt (SPC-2800)
16	YW62061000000	Large cross socket flat head screw JIS1111 M6x10-Longzine
15	YW66081900000	Flat washer 8x19x2.0 Longzine

No.		Material number		Name	
Version		Drawing NO.		Properties	
Title		SG-4360		Num.	
Main Transmission device				Material	
Designer		Approved by		Surface	
Drawn		Checked by		Material	
Profread		Checked by		Material	
Modify date		Modify date		Material	
After modification		Modified by		Material	
Before modification		Modified by		Material	
Mark		Modified by		Material	

**SHINI**  
 信义电热机械股份有限公司  
 Shini Plastics Technologies, Inc.



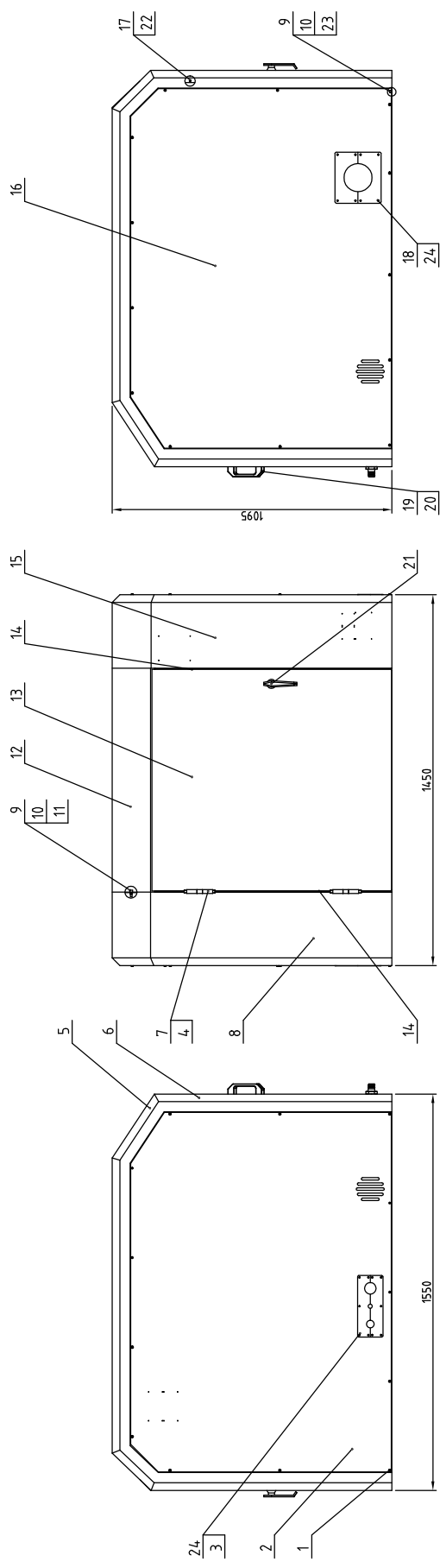




28	BP82313100044	Filter bag 4
27	-	Storage box assembly
26	YW07000400000	Stainless steel clamp 4"
25	-	Blower pipe connector
24	-	Upper cover plate
23	-	Side cover plate
22	-	Side cover pipe
21	YR60000400100	Steel wire hose φ4x1000
20	-	Cyclone separator
19	YW02000500000	Stainless steel pipe clamp 5"
18	YR60000400100	Steel wire hose 4"
17	-	Conveying blower flange and pipe
16	YW66081900000	Flat washer 8x19x2.0 Longzine
15	YW65008000100	Standard spring washer GB/T193 8-Longzine
14	YW61082501200	Inner hexagon cylinder head screw GB/T70.1 M8x25-12.9-Longzine
13	YR90521300000	Embedded handle 3NL-5213
12	-	Blower cover
11	BM30224000050	Conveying blower 2.2KW
10	YW61051000200	Cross recessed pan head screw-HI type GB/T818 M5x10-Longzine
9	-	Wire fixture fixed plate
8	YW65012200000	Standard spring washer GB/T93 12-Longzine
7	YW66123200100	Large washer A grade GB/T96 12(13x37x3)-Longzine
6	YW61124000000	Inner hexagon cylinder head screw GB/T70.1 M12x40-12.9-Longzine
5	-	Blower base
4	YW62051500000	Large cross socket flat head screw JIS1111 M5x16-Longzine
3	YW62050500000	Large cross socket flat head screw JIS1111 M5x5-Longzine
2	YW62061000000	Large cross socket flat head screw JIS1111 M6x10-Longzine
1	YW03005000000	Foot pad φ50

No.	Material number	Name
Title SG-4360 Drawing NO.		
Conveying assembly		
Version	Drawn	Num.
Approved by	Designer	Material
Modify date	Proofread by	Surface
Modify date	Checked by	Material No.
After modification	Modified by	
Before modification	Modify date	

**SHINI**  
 信义电热机械股份有限公司  
 Shini Plastics Technologies, Inc.



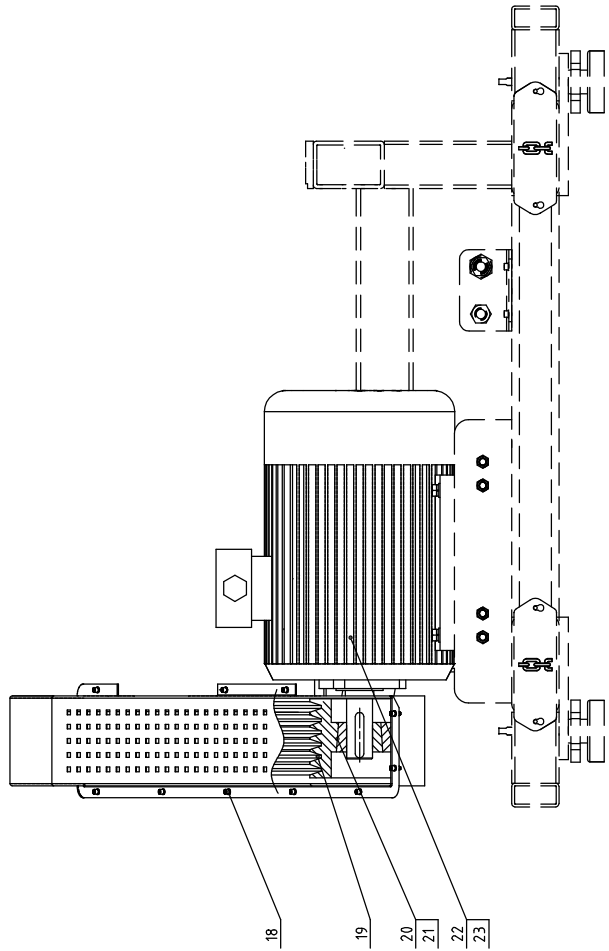
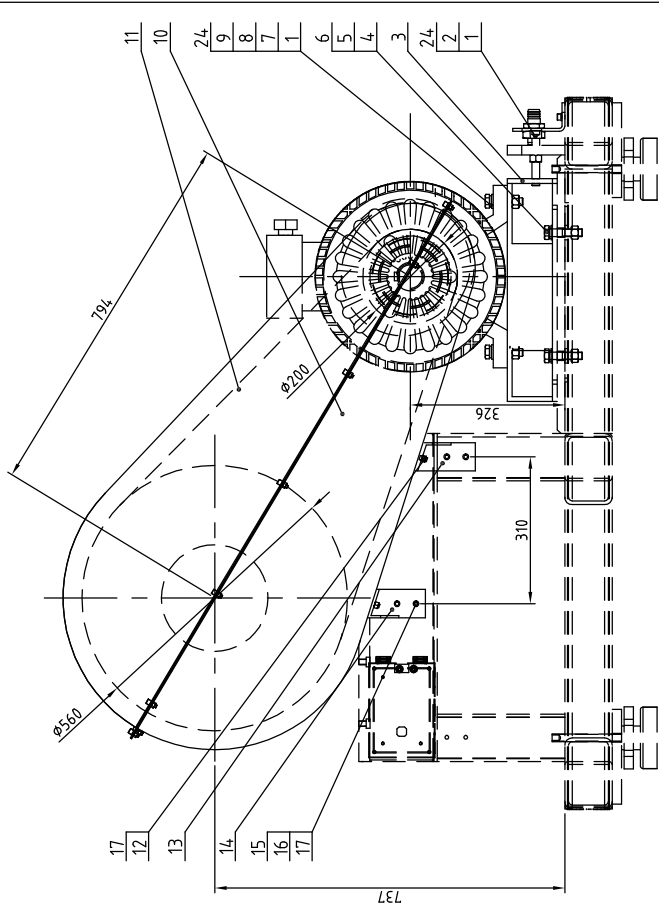
20	YW61082000200	Inner hexagon cylinder head screw GB/T70.1 M8x20-12.9-Longzine
19	BW20012000140	Aluminum square handle L120
18	-	Outlet pipe wire clamp board
17	-	Door screen plate
16	-	Left cover plate
15	-	Right cover
14	YR10011000100	Three composite sealing rubber strip IX011
13	-	Door
12	-	Front and upper cover
11	YW66641216000	Flat washer A grade GB/T97.1 6-Longzine
10	YW65006000100	Standard spring washer GB/T93 6-Longzine
9	YW61061601200	Inner hexagon cylinder head screw GB/T70.1 M6x16-12.9-Longzine
8	-	Left cover
7	YW060000400000	Stainless steel hinge 4"
6	-	Rear lower cover plate
5	-	Rear upper cover plate
4	YW61051000100	Inner hexagon countersunk head screw GB/T70.3 M5x10-12.9-Longzine
3	-	Power wire clamp plate
2	-	Right cover plate
1	YW62052500000	Large cross socket flat head screw JIS1111 M5x25-Longzine

No.	Material number	Name
24	YW62050500000	Large cross socket flat head screw JIS1111 M5x5-Longzine
23	YW66061800000	Large washer A grade GB/T96.1 6 Longzine
22	YW67481900000	Cross socket head tapping screw ST4.8x19
21	YW000004500000	Lock key

Title		SG-4360		Drawing No.	
Shield components					
Drawn	Version	Designer	Approved by	Material	Surface
Proffred by	Checked by	Modify date	Modify date	Material	Surface
After modification	Modified by	Modify date	Modify date	Material	Surface
Mark	Before modification	Modified by	Modify date	Material	Surface





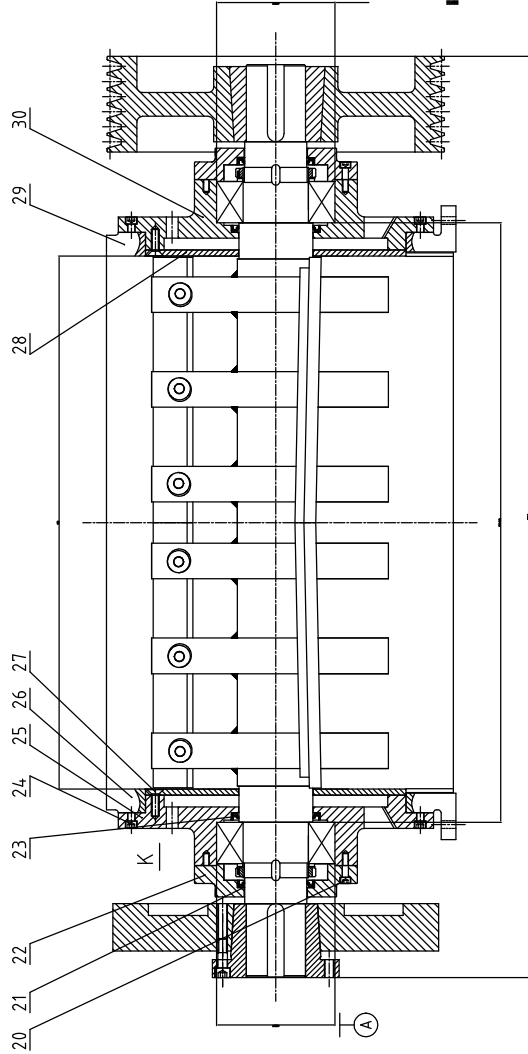
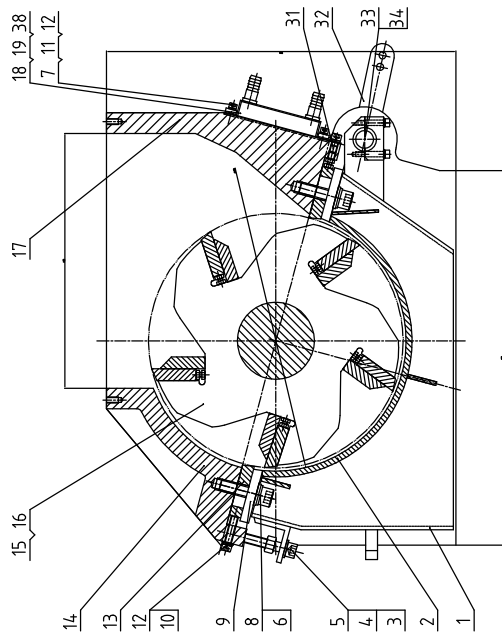


14	-	Belt pulley left cover bracket
13	-	Belt pulley right cover bracket
12	YW64.0008000100	Non-mental inserted hexagon lock nutM8
11	-	Upper pulley cover
10	-	Lower pulley cover
9	YW611675000000	Hexagon bolt GB/T5183 M16x15-12.9-Longzine
8	YW661630000000	Flat washer A grade GB/T97.1 16(17.5x30x3)-Longzine
7	YW650162000000	Spring washer 16
6	YW662037000000	Flat washer C grade GB/T95.20
5	YW652052000000	Standard spring washer GB/T93.20-Longzine
4	YW602060000000	Hexagon bolt GB/T5183 M20x60-12.9-Longzine
3	-	Motor mounting base
2	YW611610000000	Inner hexagon cylinder head screw GB/T6170.1 M16x100-12.9E.d1.160H-Longzine
1	YW64.0016000000	Hexagonal nut GB/T6170 M16-Longzine

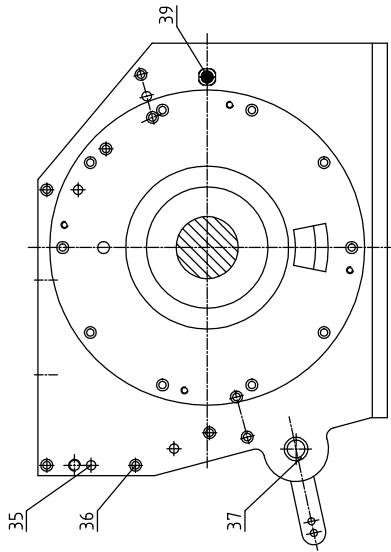
24	YW66164.00000000	Washer 16x40x5-Longzine (Non-standard)
23	YM102045004.00	Motor W20.45KW-W225S-4P B3T IE3 400/690/460V
22	YM102037004.00	Motor W20.37KW-W225S-4P B3T IE3 400/690/460V
21	YW303535060000	Taper sleeve 3535Hole diameterφ60
20	YW302006000000	Motor/belt pulley SPC200x6
19	YR002800000000	V belt (SPC-2800)
18	YW620610000000	Large cross socket flat head screw JIS1111 M6x10-Longzine
17	YW660819000000	Flat washer 8x19x2.0 Longzine
16	YW650080000100	Standard spring washer GB/T93.8-Longzine
15	YW610820002000	Inner hexagon cylinder head screw GB/T70.1 M8x20-12.9-Longzine

Name		Material	
Properties	Surface	Material	Material
Main Transmission device			
SG-4390			
Version	Approved by	Modify date	Modify date
Designer	Checked by	Modified by	Modified by
Drawn	Checked by	Modified by	Modified by
Before modification	After modification	Modified by	Modify date
Mark	Before modification	Modified by	Modify date

**SHINI**  
 信易電熱機械股份有限公司  
 Shini Plastics Technologies, Inc.



K



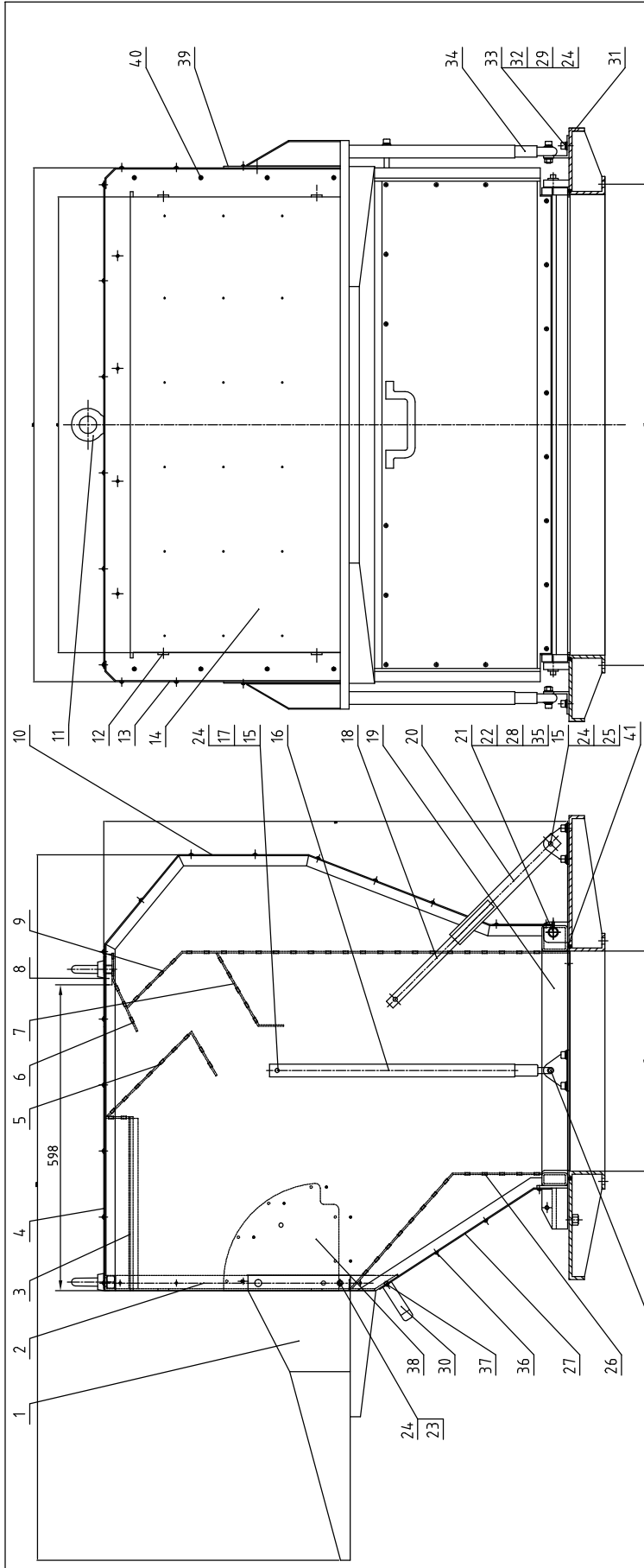
No.	Material number	Name
39	-	Screen frame limit spring assembly
38	-	Pressing plate of water tank
37	BH124.36001810	Screenbracket mount shaft sleeve
36	YW611650000000	Inner hexagon cylinder head screw GB/T70.1 M16x50-12.9-Longzine
35	BH1104.3600010	Female thread column pin
34	YW302230550000	Expansion coupling sleeve Z2-30x55
33	BH114.39001610	Screenbracket mount shaft
32	-	Pneumatic spring swing arm
31	YW681210000000	Inner hexagon flat end set screw GB/T 77 M12-12-Longzine
30	BW304.36003210	Right bearing base
29	BW304.36001710	Right block
28	YW424.36001600	Left and right baffle plate
27	YW611230001000	Inner hexagon countersunk head screw GB/T70.3 M12x30-10.9-Longzine
26	BW304.36001510	Left block
25	BW304.36001410	Left bearing base
24	YW61124.00000000	Inner hexagon cylinder head screw GB/T70.1 M12x40-12.9-Longzine
23	YR20125150120	Inner packaging framework rotating shaft lip type seal ring
22	BW304.36001010	Bearing cap
21	YR201051000000	Inner packaging framework rotating shaft lip type seal ring
20	YW611035000000	Inner hexagon cylinder head screw GB/T70.1 M10x35-12.9-Longzine
19	-	Wafer tank gasket
		Water tank
		Rear box block
		Five rotating blade rest shaft assembly
		Three rotating blade rest shaft assembly
		Front box block
		Fixed blade
		Flat washer 8x19x2.0 Longzine
		Standard spring washer GB/T93 8-Longzine
		Inner hexagon cylinder head screw GB/T70.1 M8x65-12.9-Longzine
		Fixed blade pressure block
		Standard spring washer GB/T93 20
		Inner hexagon cylinder head screw GB/T70.1 M8x25-12.9-Longzine
		Inner hexagon cylinder head screw GB/T70.1 M20x70-12.9-Longzine
		Hexagonal nut GB/T6170 M16-Longzine
		Flat washer A grade GB/T97.1 16(17.5x30x3)-Longzine
		Inner hexagon cylinder head screw GB/T70.1 M16x100-12.9(16) 10.9(16)-Longzine
		Screen φ12
		Screen frame assembly

Version	Version	Material	Material
Draver	Designer	Surface	Material
Approved by	Checked by	Material	Material
Modify date	Modify date	Material	Material

Title: SG-4390  
 Drawing NO.:  
 Cutting chamber assembly

Mark: Before modification  
 After modification  
 Modified by  
 Modify date

SHINI  
 信易电热机械股份有限公司  
 Shini Plastics Technologies, Inc.



41	YR9000600400	Black rubber sealing strip (dia. 6mm)	17	YW640806000000	Hexagonal nut GB/T16170 M8-Longzine
40	YW61061601200	Inner hexagon cylinder head screw M6x16-12.9-Longzine	16	BH104-36001510	Air spring sleeve
39	-	Feed port fixed plate with hole	15	YW610850000000	Inner hexagon cylinder head screw GB/T70.1 M8x50-12.9-Longzine
38	-	Feed port fixed plate without hole	14	-	Fender assembly
37	YW61082000200	Inner hexagon cylinder head screw M8x20	13	-	Outer cover left and right side plate
36	YW6174819000000	Cross socket head tapping screw ST4.8x19	12	-	Left and right side plate
			11	YW090016000000	Ring screw M16
			10	-	Ext. rear cover plate
			9	-	Rear folded plate
			8	-	Nut plate
			7	-	Rear middle folded plate
			6	-	Rear upper folded plate
			5	-	Middle Top folded plate
			4	-	Top cover plate
			3	-	Top folded plate
			2	-	Hopper port
			1	-	Hopper port
			No.	Material number	Name
			18	BH104-36000210	Support pipe 1
			19	-	Square pipe frame
			20	BH104-36001810	Support pipe 2
			21	BH104-39001810	Feed box rotating shaft
			22	YW680510000000	Inner hexagon flat end set screw GB/T177 M5x10-Longzine
			23	YW610835000000	Inner hexagon cylinder head screw GB/T70.1 M8x35-12.9-Longzine
			24	YW660819000000	Flat washer 8x19x2.0 Longzine
			25	YW640008001000	Non-mental inserted hexagon lock nut GB/T889.1 M8
			26	-	Front folded plate
			27	-	External cover front plate
			28	YW610510002000	Cross recessed pan head screw-H type GB/T888 M5x10-Longzine
			29	YW610816000000	Inner hexagon cylinder head screw GB/T70.1 M8x16-12.9-Longzine
			30	BW2001200014.0	Handle
			31	-	Cutting chamber neck
			32	YW650080001000	Standard spring washer GB/T93 8-Longzine
			33	-	Air spring support base
			34	YW010600000000	Air pressure spring length:250, stroke:650,600N
			35	-	Feed box rotating shaft, pressing plate

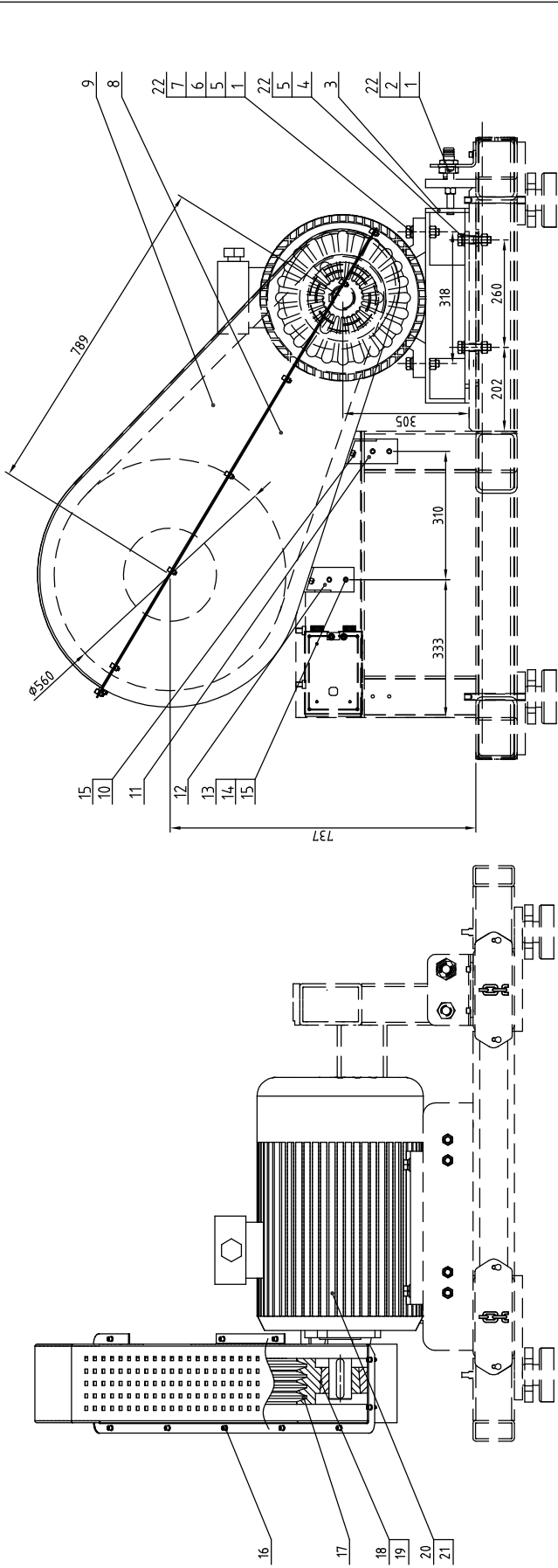
Version	Version	Title	Material
Designer	Approved by	SG-4390	Surface
Drawn	Checked by	Feed box assembly	Material
Mark	Modified by		Material No.
Before modification	Modify date		
After modification	Modify date		

**SHINI**  
 信易电热机械股份有限公司  
 Shini Plastics Technologies, Inc.







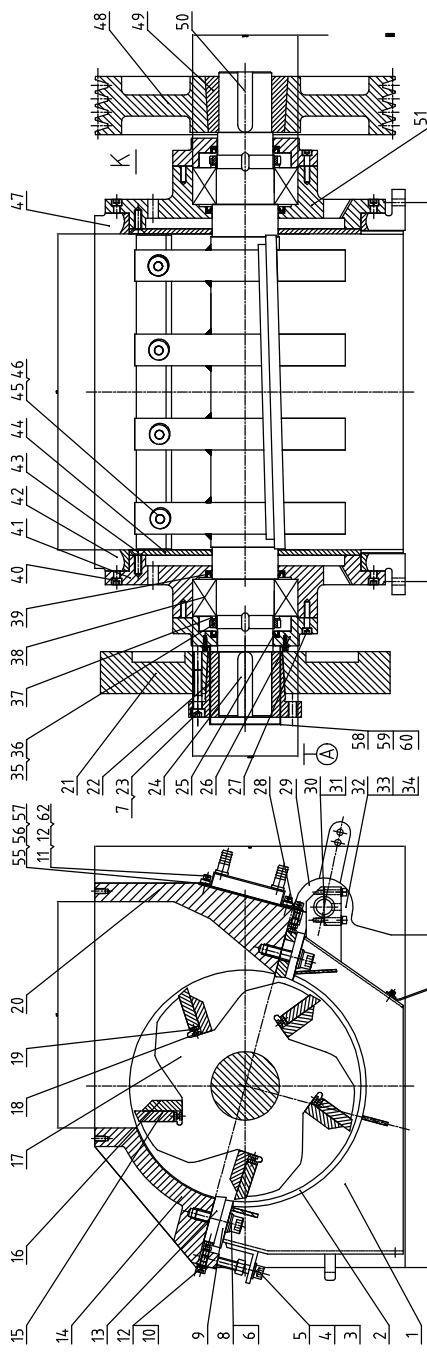


14	YW65008000100	Standard spring washer GB/T 93.8-Longzine
13	YW61082000200	Inner hexagon cylinder screw GB/T 70.1 M8x20-12.9-Longzine
12	-	Belt pulley cover left bracket
11	-	Belt pulley cover right bracket
10	YW64000800100	Non-metal insert hexagon nut M8
9	-	Upper pulley cover
8	-	Lower pulley cover
7	YW61167500000	Hexagon bolt GB/T 5783 M16x75-12.9-Longzine
6	YW66163000000	Flat washer A grade GB/T 197.1 16(17.5x30x3)-Longzine
5	YW65016200000	Spring washer 16
4	YW60164.0000000	Hexagon bolt GB/T 5783 M16x40-12.9-Longzine
3	-	Motor mounting base
2	YW61161000000	Inner hexagon cylinder screw GB/T 70.1 M16x100-12.9-Longzine
1	YW64001600000	Hexagonal nut GB/T 6170 M16-Longzine

22	YW66164.0000000	Washer 16x4.0x5-Longzine (Non-standard)
21	YM10203700400	Motor W20 37KW-W225S-4P B3T IE3 400/690/460V Option Standard equipped
20	YM10203000400	Motor W20 30KW-200L-4P B3T IE3 400/690/460V
19	YW30302000000	Taper sleeve 3020(hole diameter φ55)
18	YW30200400000	Motor pulley SPC200x4
17	YR00280000000	V belt (SPC-2800)
16	YW62061000000	Large cross socket flat head screw JIS1111 M6x10-Longzine
15	YW66081900000	Flat washer 8x19x2.0 Longzine

No.	Material number		Name	
Title SG-4360 Main transmission device				
Drawing No.				
Version	Designer	Approved by	Material	Num.
Prepared	Checked by	Modify date	Surface	
Modified by	Modify date	Material	Surface	
Before modification	Modify date	Material	Surface	
Mark	Modify date	Material	Surface	

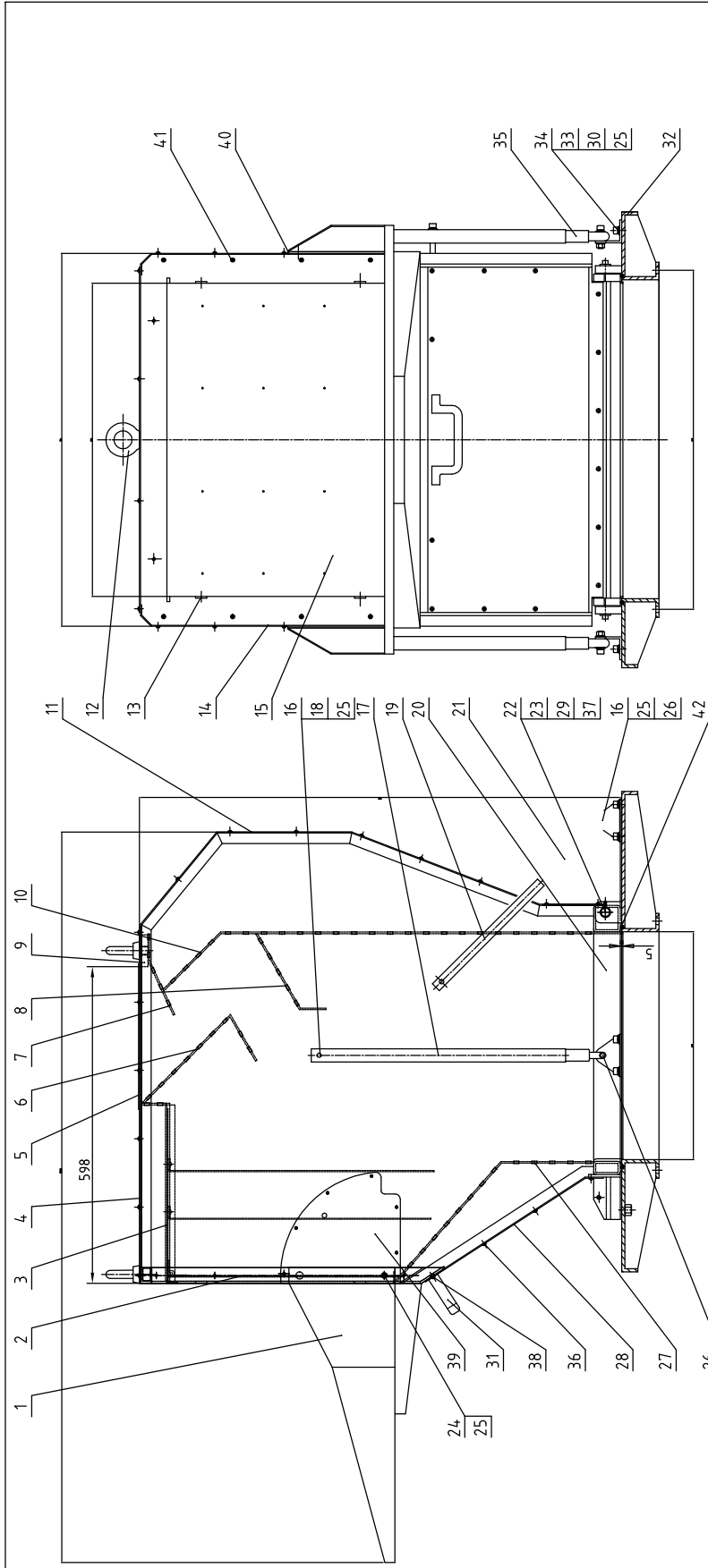
**SHINI** 信利电热机械股份有限公司  
Shini Plasstics Technologies, Inc.



No.	Part Name	Material	Quantity	Notes
58	Inner hexagon cylinder screw GB/T70.1 M6x6-12.9-Longzine	Yw61061601200	28	Cancel when opted the fly wheel
57	Pressing plate of water tank	Yw61104000200	27	
56	Water tank gasket	Bw304.36001010	26	
55	Water tank	Yr20105100000	25	
54	Screen bracket mount shaft sleeve	Yw10281240000	24	
53	Inner hexagon cylinder screw GB/T70.1 M16x50-12.9-Longzine	Yw61161750000	23	
52	Female thread column pin	Bw304.36000910	22	Option
51	Right bearing base	Bw304.36000810	21	Option
50	Single round head common flat key C28x115	Bw304.36002410	20	
49	Beif wheel sleeve hole dia. φ100	Yw64080600000	19	18 for five rotating blades
48	Large cone sleeve SPC560x4	Yw60082500100	18	18 for five rotating blades
47	Right block	BH14.36001010	17	18 for five rotating blades
46	Standard spring washer GB/T93 20	BH1506000610	16	20 for five rotating blades
45	Inner hexagon cylinder screw GB/T70.1 M20x65-12.9-Longzine	BH104.36300110	15	Option
44	Left and right baffle plate	Bw304.36002210	14	5 for five rotating blades
43	Inner hexagon countersunk head screw GB/T70.3 M20x30-10.9-Longzine	Yw42436000700	13	5 for five rotating blades
42	Left block	Yw42436000700	12	
41	Left bearing base	Yw66081900000	11	
40	Inner hexagon cylinder screw GB/T70.1 M12x40-12.9-Longzine	Yw65008000100	10	
39	Inner packaging framework rotating shaft lip type seal ring	Yw61084550000	9	
38	Self-aligning roller bearing 23222CE4	Bw304.36002110	8	
37	Bearing check ring	Yw65205200000	7	
36	Round nut stop washer GB/T858 M110	Yw65016200000	6	
35	Small round nut GB/T810 M110x2-4.5 Steel	Yw61207000000	5	
34	Flat washer A grade GB/T97.1 8-Longzine	Yw64001600000	4	
33	Standard spring washer GB/T93 8-Longzine	Yw65008000100	3	
32	Inner hexagon cylinder screw GB/T70.1 M8x30-12.9-Longzine	Yw61061000000	2	
31	Expansion coupling sleeve Z2-30x55	Bl55436200220	1	
30	Screen bracket mount shaft			
29	Pneumatic spring swing arm			
62	Inner hexagon cylinder screw GB/T70.1 M8x25-12.9-Longzine			
61	Screen frame limit spring assembly			
60	Left end cover			
59	Standard spring washer GB/T93 6-Longzine			

Properties		Num.
Surface		Material
Material		Material No.
Title: SG-4.360B		
Drawing NO.		
Cutting chamber assembly		
Version	Draver	Designer
Approved by	Checked by	Modified by
Modify date	Modify date	Modify date
Mark	Before modification	After modification



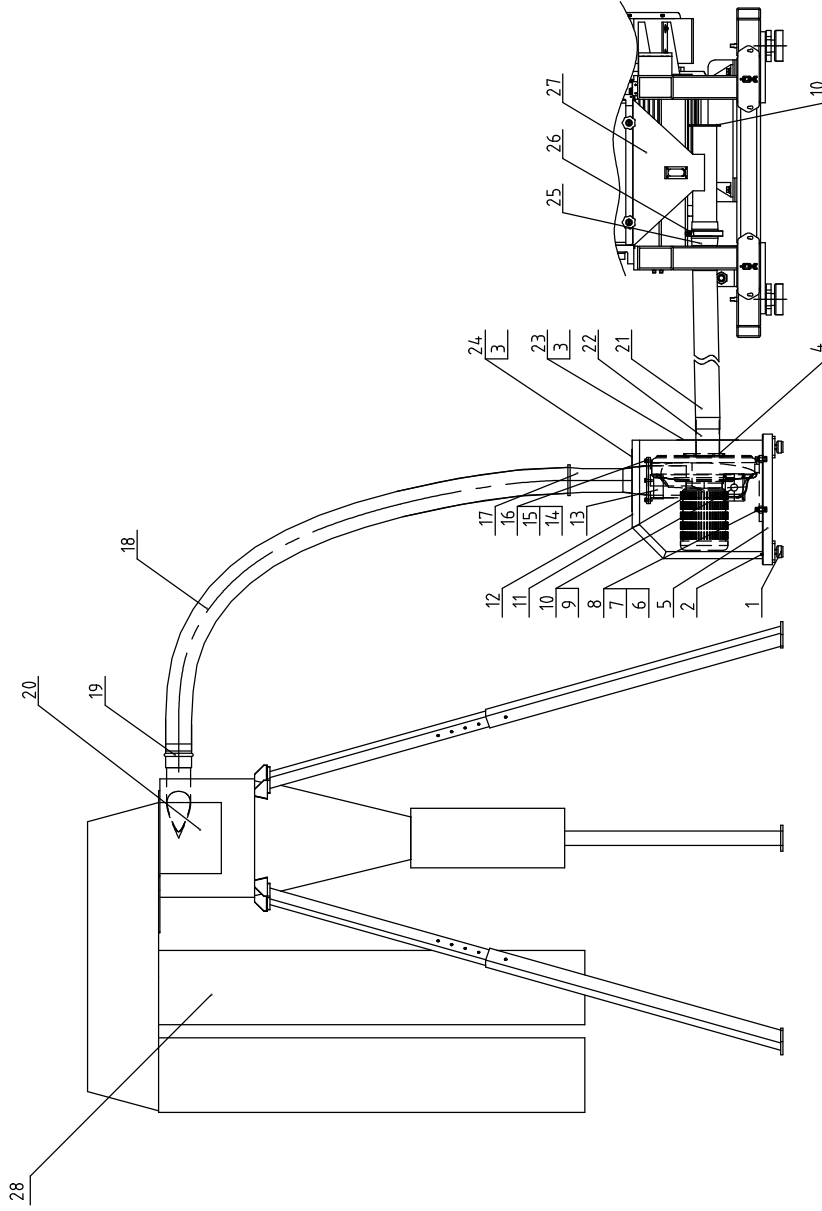


42	YR900006004.00	Black rubber sealing strip (dia. 6mm)	26	YW64.000800100	Non-metal insert hexagon nut GB/T889.1 M8	11	-	Ext. rear cover plate	12	YW09001600000	Ring screw M16	15	-	Fender assembly
41	YW61061601200	Inner hexagon cylinder screw M6x16-12.9-Longzine	25	YW66.081900000	Flat washer 8x19x2.0 Longzine	10	-	Rear folded plate	13	-	Left and right side plate	14	-	Outer cover left and right side plate
40	-	Feed port fixed plate with hole	24	YW61083500000	Inner hexagon cylinder screw GB/T70.1 M8x35-12.9-Longzine	8	-	Rear middle folded plate	11	-	Left and right side plate	12	-	Left and right side plate
39	-	Feed port fixed plate without hole	23	YW68051000000	Inner hexagon flat-end set screw GB/T771 M5x10-Longzine	7	-	Rear upper folded plate	9	-	Ring screw M16	10	-	Left and right side plate
38	YW61082000200	Inner hexagon cylinder screw M8x20	22	BH104.36001910	Feed box rotating shaft	6	-	Middle top folded plate	8	-	Ext. rear cover plate	9	-	Left and right side plate
37	-	Feed box rotating shaft pressing plate	21	BH104.36001810	Support pipe 2	5	-	Ventilation plate	7	-	Rear folded plate	8	-	Left and right side plate
36	YW61481900000	Cross socket head tapping screw ST4.8x19	20	-	Square pipe frame	4	-	Top cover plate	6	-	Nut plate	7	-	Left and right side plate
35	YW01060000000	Air pressure spring 600N	19	BH104.36000210	Support pipe 1	3	-	Top folded plate	5	-	Rear middle folded plate	6	-	Left and right side plate
34	-	Air spring support base	18	YW64.080600000	Hexagonal nut GB/T6170 M8-Longzine	2	-	Hopper port	4	-	Rear upper folded plate	5	-	Left and right side plate
33	YW65008000100	Standard spring washer GB/T93 8-Longzine	17	BH104.36001510	Air spring sleeve	1	-	Feed port	3	-	Middle top folded plate	4	-	Left and right side plate
32	-	Cutting chamber neck	16	YW61085000000	Inner hexagon cylinder screw GB/T70.1 M8x50-12.9-Longzine	No.	-	Material number	2	-	Feed port	3	-	Left and right side plate

Version	SG-4360	Material	
Approved by		Surface	
Checked by		Material	
Drawn		Num.	
Designer		Material	
Prepared by		Surface	
Checked by		Material	
Modify date		Material	
Mark		Material	
Before modification		Material	
After modification		Material	
Modified by		Material	
Modify date		Material	
Title: SG-4360			
Feed box assembly			
Drawing No.			
Material number			

信易電熱機械股份有限公司  
Shini Plastics Technologies, Inc.

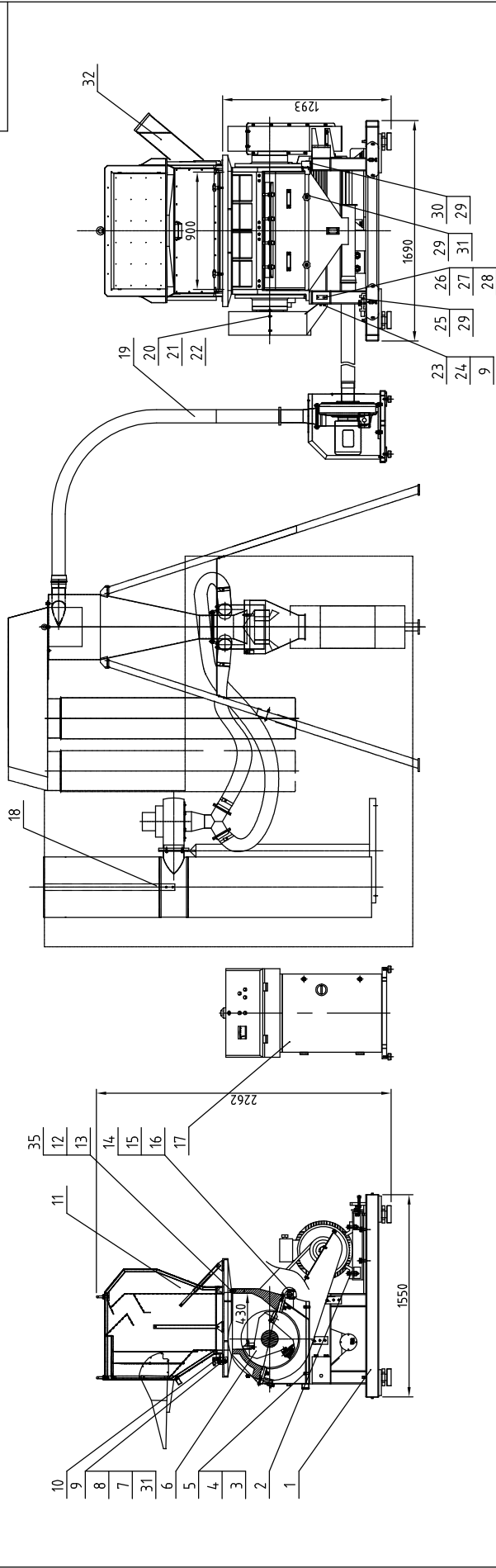




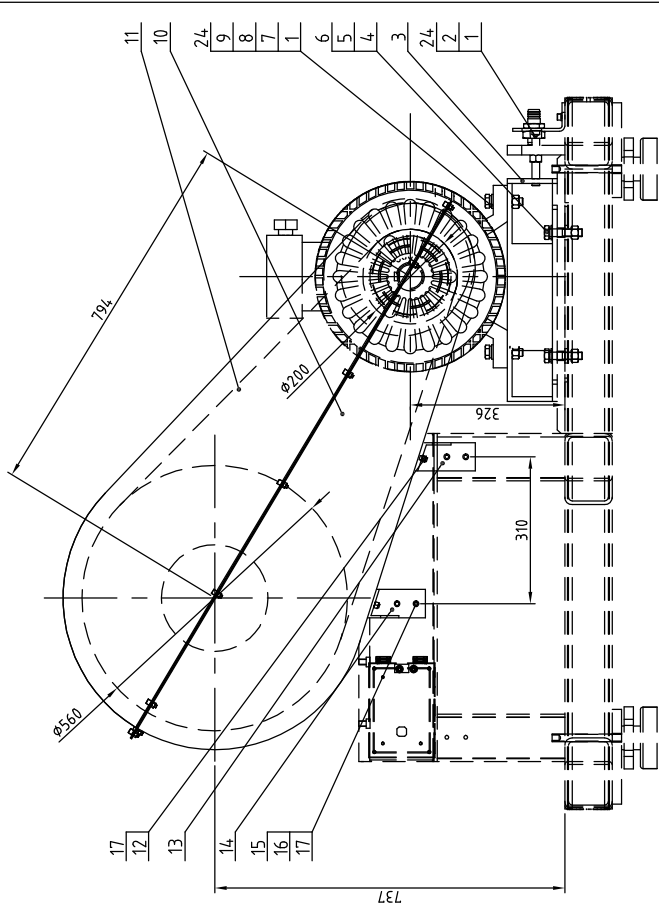
28	BP8231310004.4	Filter bag 4
27	-	Storage box assembly
26	YW070004.00000	Stainless steel clamp 4"
25	-	Blower pipe connector
24	-	Upper cover plate
23	-	Side cover plate
22	-	Side cover pipe
21	YR600004.00100	Steel wired plastic pipe $\phi 4 \times 1000$
20	-	Cyclone separator
19	YW020005.00000	Stainless steel pipe clamp 5"
18	YR600004.00100	Steel wired plastic pipe 4"
17	-	Conveying blower flange and pipe
16	YW660819.00000	Flat washer 8x19x2.0 Longzine
15	YW650080.00100	Standard spring washer GB/T938-Longzine
14	YW610825.01200	Inner hexagon cylinder screw GB/T70.1 M8x25-12.9-Longzine
13	YR905213.00000	Embedded handle 3NL-5213
12	-	Blower cover
11	BM30224.000050	Conveying blower 2.2KW
10	YW610510.00200	Cross recessed pan head screw-H type GB/1818 M5x10-Longzine
9	-	Wire fixture fixed plate
8	YW650122.00000	Standard spring washer GB/T93 12-Longzine
7	YW661232.00100	Large washer A grade GB/T96 12(13x37x3)-Longzine
6	YW61124.000000	Inner hexagon cylinder screw GB/T70.1 M2x40-12.9-Longzine
5	-	Blower base
4	YW620515.00000	Large cross socket flat head screw JIS1111 M5x16-Longzine
3	YW620505.00000	Large cross socket flat head screw JIS1111 M5x5-Longzine
2	YW620610.00000	Large cross socket flat head screw JIS1111 M6x10-Longzine
1	YW030050.00000	Foot pad $\phi 50$

No.	Material number	Name
Drawing NO.		
Title SG-4360		
Conveying assembly		
Version	Drawer	Approved by
Approved by	Designer	Modify date
Modify date	Proffread by	Checkd by
Modify date	Modified by	After modification
Modify date	Before modification	

**SHINI**  
 信义电热机械股份有限公司  
 Shini Plastics Technologies, Inc.



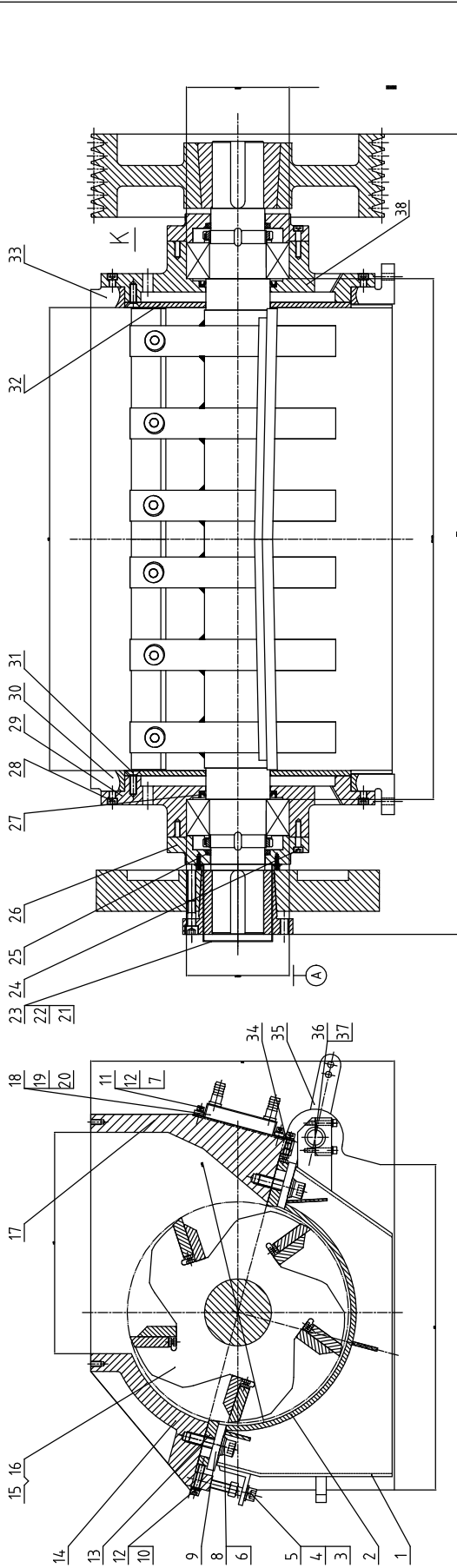
No.	Material number	Title	Version	Drawer	Designer	Approved by	Mark	Before modification	After modification	Modified by	Modify date	Checked by	Modify date
35	Y W66102000100	Flat washer A grade10(1x20x2)	Option										
34	-	With conveyor feed box assembly	Option										
33	-	Conveyor	Option										
32	-	Side feed box assembly	Option										
31	Y W64080600000	Hexagonal nut GB/T6170 M8	Option										
30	-	Fixing plate for switch	Option										
29	Y R4,00835000000	Five star handle Type B M8x35	Option										
28	Y W61051000200	Cross recessed pan head screw GB/T-818 M5x10-Longzine	Option										
27	JT10014L-0000000	Inner hexagon spanner M14 length increased	Option										
26	-	Fixed hexagon spanner	Option										
25	BH104,390001910	Presenting knife jig	Option										
24	Y W65008000100	Standard spring washerGB/T93 8-Longzine	Option										
23	Y W6109160000000	Inner hexagon cylinder screwGB/T701 M8x25-8-Longzine	Option										
22	Y W6206100000000	Large cross socket flat head screw JB5111 M5x10-8-Longzine	Option										
21	-	Flywheel lower cover	When optional with Flywheel										
20	-	Flywheel upper cover	When optional with Flywheel										
19	-	Conveying assembly	Option										
18	-	Dust separator	Option										
17	-	Power distributor	Option										
16	BH10509001210	Pneumatic spring pin	Option										
15	Y W0110014L-00000	Air pressure springlength: 420, stroke: 165,14,00N	Option										
14	Y W3022305500000	Expansion coupling sleeve Z2-30x55	Option										
13	Y W6501000000000	Standard spring washer GB/T93 10-Longzine	Option										
12	Y W6010250001000	Hexagon boltGB/T5783 M10x25-12.9-Longzine	Option										
11	-	Feed box assembly	Standard equipped										
10	BH1130022000010	Feed box star assembly SG-30-ALL-02	Option										
9	Y W6608190000000	Flat washer 8x19x2.0 Longzine	Option										
8	Y W6108250001000	Inner hexagon cylinder screw GB/T701 M8x25-8.8-Longzine	Option										
7	-	Hook	Option										
6	-	Cutting chamber assembly	Option										
5	Y W661224,0000000	Flat washer A gradeGB/T97.1 12(13)5x2x2.5-Longzine	Option										
4	Y W6501220000000	Standard spring washer GB/T93 12-Longzine	Option										
3	Y W6072600010000	Hexagon boltGB/T5783 M7x60-12.9-Longzine	Option										
2	-	Main transmission device	Option										
1	-	Rack assembly	Option										



14	-	Belt pulley cover left bracket
13	-	Belt pulley cover right bracket
12	YW64.000800100	Non-metal insert hexagon nut M8
11	-	Upper pulley cover
10	-	Lower pulley cover
9	YW6116750000	Hexagon bolt GB/T5783 M6x75-12.9-Longzine
8	YW66163000000	Flat washer A grade GB/T97.1 16(17.5x30x3)-Longzine
7	YW65016200000	Spring washer 16
6	YW66203700000	Flat washer C grade GB/T95.20
5	YW65205200000	Standard spring washer GB/T93 20-Longzine
4	YW60206000000	Hexagon bolt GB/T5783 M20x60-12.9-Longzine
3	-	Motor mounting base
2	YW61161000000	Inner hexagon cylinder screw GB/T701 M6x100-12.9Full tooth-Longzine
1	YW64.001600000	Hexagonal nut GB/T6170 M16-Longzine
No.	Material number	Name

24	YW66164.0000000	Washer 16x40x5-Longzine (Non-standard)
23	YM10204.5004.00	Motor W20 45KW-WZ25S-4P B3T IE3 400/690/460V Option
22	YM102037004.00	Motor W20 37KW-WZ25S-4P B3T IE3 400/690/460V standard equipped
21	YW303535060000	Taper sleeve 3535 hole diameter 660
20	YW30200600000	Motor pulley SPC200x6
19	YR00280000000	V belt (SPC-2800)
18	YW62061000000	Large cross socket flat head screw JIS1111 M6x10-Longzine
17	YW66081900000	Flat washer 8x19x2.0 Longzine
16	YW65008000100	Standard spring washer GB/T93 8-Longzine
15	YW61082000200	Inner hexagon cylinder screw GB/T70.1 M8x20-12.9-Longzine
Title		SG-4.390B
Version		1.0
Drawer	Designer	Approved by
Prepared by	Checked by	Modify date
Modified by	Modify date	
Before modification		
Mark		

**SHINI**  
 信易塑料机械股份有限公司  
 Shini Plastics Technologies, Inc.

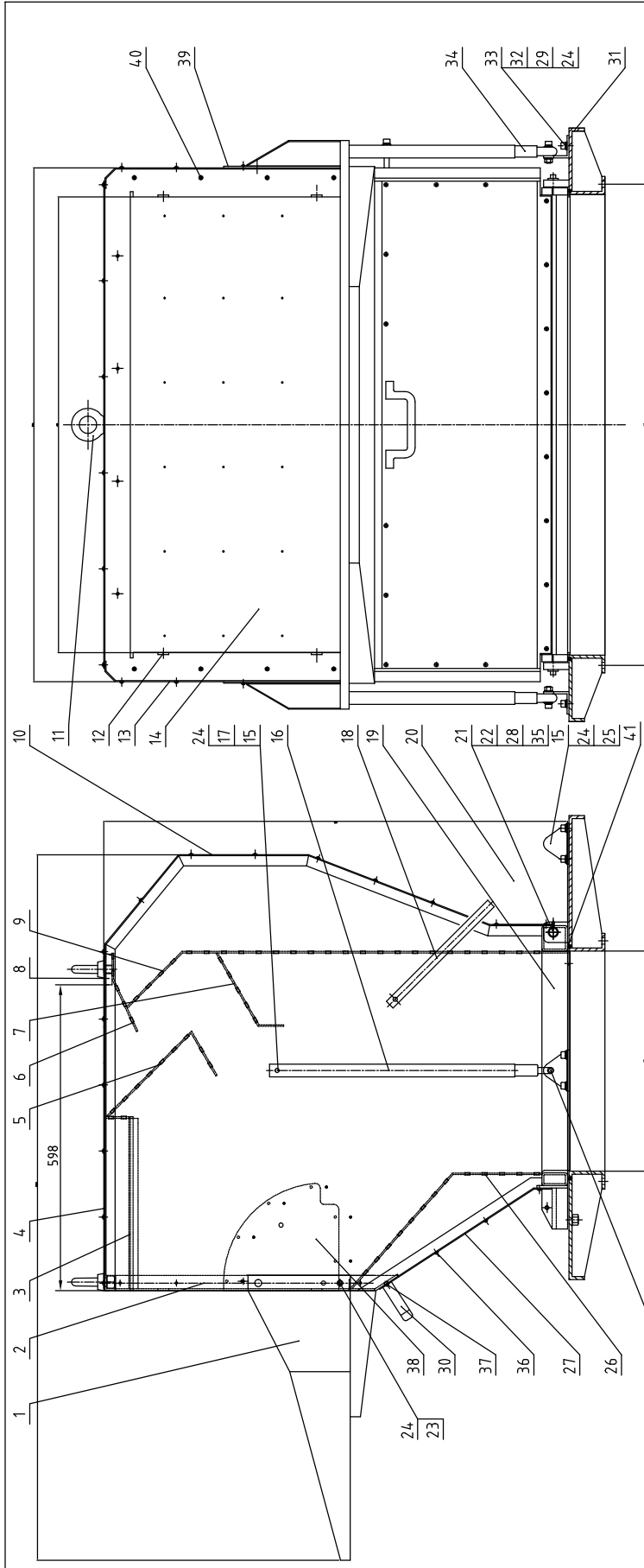


No.	Material	Part Name	Quantity	Material No.	Remarks
4.2	-	Screen frame limit spring assembly	21	YW61061601200	Cancel when opted the fly wheel
41	BH124.36001810	Screen bracket mount shaft sleeve	20	-	Inner hexagon cylinder screw GB/T701 M6x16-12.9-Longzine
40	YW6165000000	Inner hexagon cylinder screw GB/T701 M6x50-12.9-Longzine	19	-	Pressing plate of water tank
39	BH1104.3600010	Female thread column pin	18	-	Water tank gasket
38	BW304.36003210	Right bearing base	17	BW304.39002410	Water tank
37	YW30233055000	Expansion coupling sleeve Z2-30x55	16	BH14.39000110	Rear box block
36	BH114.39001610	Screen bracket mount shaft	15	BH14.39000710	Five rotating blade rest shaft assembly Option Standard equipped
35	-	Pneumatic spring swing arm	14	BW304.39002210	Three rotating blade rest shaft assembly
34	YW68121000000	Inner hexagon flat-end set screw GB/T77 M12x12-Longzine	13	YW4.24.39000700	Front box block
33	BW304.36001710	Right block	12	YW660819000000	Fixed blade
32	YW4.24.36001600	Left and right baffle plate	11	YW65008000100	Flat washer 8x19x2.0 Longzine
31	YW61123000100	Inner hexagon countersunk head screw GB/T703 M12x30-10.9-Longzine	10	YW610865000000	Standard spring washer GB/T93 8-Longzine
30	BW304.36001510	Left block	9	BW304.39002110	Inner hexagon cylinder screw GB/T701 M8x65-12.9-Longzine
29	BW304.36001410	Left bearing base	8	YW65205200000	Fixed blade pressing block
28	YW61124000000	Inner hexagon cylinder screw GB/T701 M12x40-12.9-Longzine	7	YW61082501200	Standard spring washer GB/T93 20
27	YR20125150120	Inner packaging framework rotating shaft lip type seal ring FB92515012	6	YW612070000000	Inner hexagon cylinder screw GB/T701 M20x70-12.9-Longzine
26	BW304.36001010	Bearing cap	5	YW64.00716000000	Inner hexagon cylinder screw GB/T701 M16x25-12.9-Longzine
25	YR20105100000	Inner packaging framework rotating shaft lip type seal ring	4	YW66164.0000000	Hexagonal nut GB/T6170 M16-Longzine
24	YW61104.0000000	Inner hexagon cylinder screw GB/T701 M10x40-12.9-Longzine	3	YW61616.0000000	Washer 16x40x5-L-Longzine(Non-standard)
23	-	Left end cover	2	BL554.39001320	Inner hexagon cylinder screw GB/T701 M6x100-12.9Full tooth-Longzine
22	YW65006000100	Standard spring washer GB/T93 6-Longzine	1	-	Screen frame assembly

Mark	Before modification	After modification	Modified by	Modify date	Checked by	Modify date

Title		Drawing NO.	
Cutting chamber assembly		SG-4390B	
Version	Approved by	Material	Surface
Designer	Checked by	Material	Surface
Drawn	Modify date	Material	Surface

**SHINI** 信义电热机械股份有限公司  
Shini Plastics Technologies, Inc.



41	YR9000600400	Black rubber sealing strip (dia.6mm)	17	YW640806000000	Hexagonal nut GB/T16170 M8-Longzine
40	YW61061601200	Inner hexagon cylinder screw M6x16-12.9-Longzine	16	BH104-36001510	Air spring sleeve
39	-	Feed port fixed plate with hole	15	YW610850000000	Inner hexagon cylinder screw GB/T70.1 M8x50-12.9-Longzine
38	-	Feed port fixed plate without hole	14	-	Fender assembly
37	YW61082000200	Inner hexagon cylinder screw M8x20	13	-	Outer cover left and right side plate
36	YW6174819000000	Cross socket head tapping screw ST4.8x19	12	-	Left and right side plate
			11	YW090016000000	Ring screw M16
			10	-	Ext. rear cover plate
			9	-	Rear folded plate
			8	-	Nut plate
			7	-	Rear middle folded plate
			6	-	Rear upper folded plate
			5	-	Middle Top folded plate
			4	-	Top cover plate
			3	-	Top folded plate
			2	-	Hopper port
			1	-	Feed port
			No.	Material number	Name

35	-	Feed box rotating shaft pressing plate	17	YW640806000000	Hexagonal nut GB/T16170 M8-Longzine
34	YW010600000000	Air pressure spring stroke:250,length:650,600N	16	BH104-36001510	Air spring sleeve
33	-	Air spring support base	15	YW610850000000	Inner hexagon cylinder screw GB/T70.1 M8x50-12.9-Longzine
32	YW650080001000	Standard spring washer GB/T93 8-Longzine	14	-	Fender assembly
31	-	Cutting chamber neck	13	-	Outer cover left and right side plate
30	BW20012000140	Handle	12	-	Left and right side plate
29	YW610816000000	Inner hexagon cylinder screw GB/T70.1 M8x16-12.9-Longzine	11	YW090016000000	Ring screw M16
28	YW610510002000	Cross recessed pan head screw-H type GB/T898 M6x10-Longzine	10	-	Ext. rear cover plate
27	-	External cover front plate	9	-	Rear folded plate
26	-	Front folded plate	8	-	Nut plate
25	YW640008001000	Non-metal insert hexagon nut GB/T889.1 M8	7	-	Rear middle folded plate
24	YW660819000000	Flat washer 8x19x2.0 Longzine	6	-	Rear upper folded plate
23	YW610835000000	Inner hexagon cylinder screw GB/T70.1 M8x35-12.9-Longzine	5	-	Middle Top folded plate
22	YW680510000000	Inner hexagon flat-end set screw GB/T77 M6x10-Longzine	4	-	Top cover plate
21	BH104-39001810	Feed box rotating shaft	3	-	Top folded plate
20	BH104-36001810	Support pipe 2	2	-	Hopper port
19	-	Square pipe frame	1	-	Feed port
18	BH104-36000210	Support pipe 1	No.	Material number	Name

Version: SG-4390  
 Title: Feed box assembly  
 Drawing NO.:

Draver	Designer	Approved by
Proffred by	Checked by	Modify date
After modification	Modified by	Modify date
Mark	Before modification	Modify date

Properties	Num.
Surface	Material
Material	Material No.

**SHINI**  
 信易電熱機械股份有限公司  
 Shini Plastics Technologies, Inc.

