

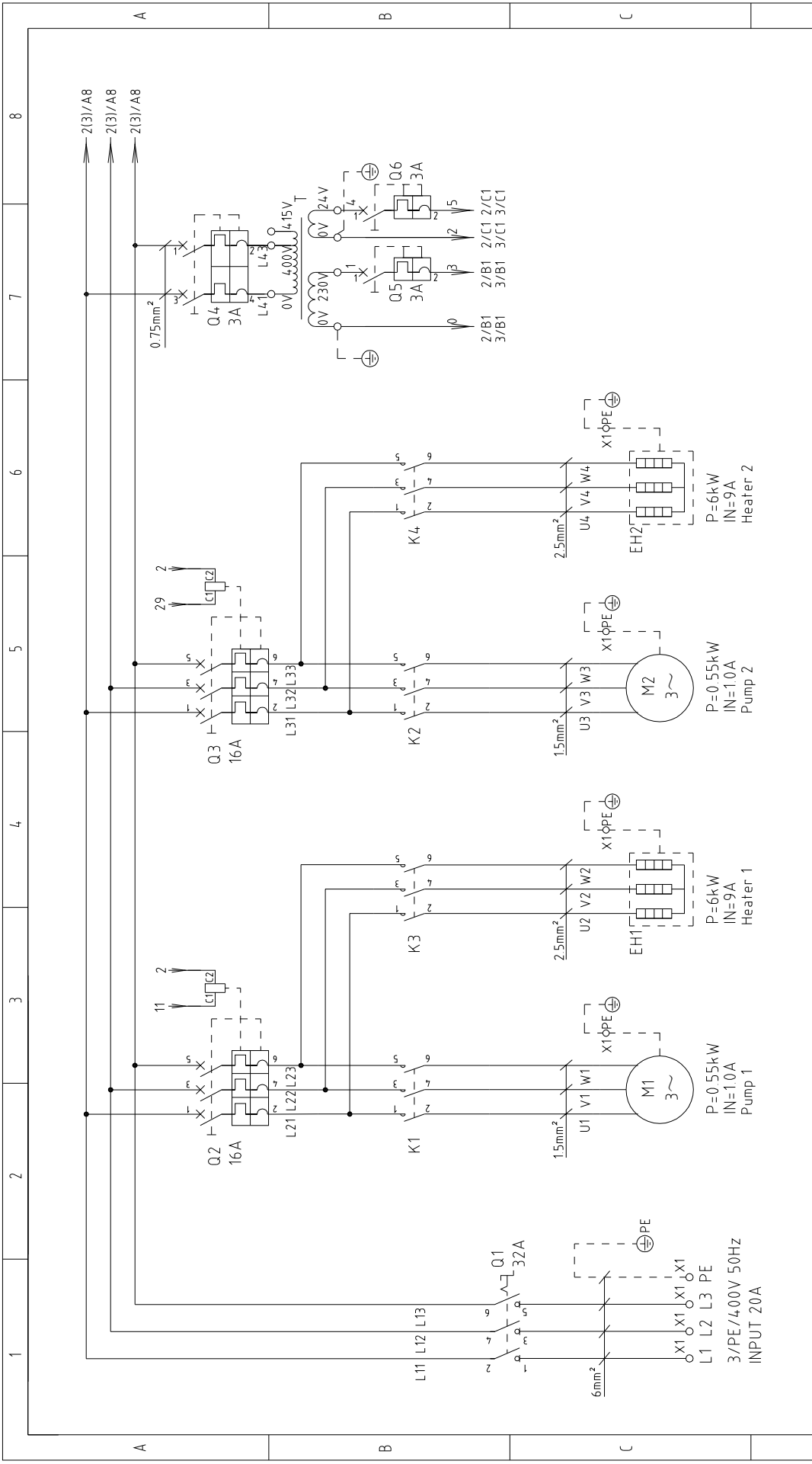
版本	Ver.H
Mark	Before modification
	After modification
	Modify date
	Checked by
	Proofread by
	Designer
	Drawer
	Version
	F
	Approved by
	Date
	20190104

D	Title		Drawing NO		Scale		Page		
	STM-607PW Main Circuit Diagram		STM-607PW-CE-400V-F-1		CE		1		
Version		F		Standard		Voltage		Pages	
Approved by				CE		400V		5	
Date		20190104		Frequency		50HZ		8	



1		2		3		4		5		6		7		8	
NO.	Symbol	Name	Manufacturer	Type	Specification	Number	Material number	Remark							
1	Q1	Main power switch	EATON	TO-2-1/EA/SVB	20A	1	YE10021160000								
2	Q2	Circuit breakers	TECO	BM-63C/3016S	16A	1	YE40301603000								
3		Excitation release	TECO	MX	24V	1	YE40024000000								
4	Q3	Circuit breakers	TECO	BM-63C/2003S 2P	3A	1	YE40200203000								
5	Q4 Q5	Circuit breakers	TECO	BM-63C/1003S 1P	3A	2	YE40100203000								
6	K1	Contactors	SIEMENS	3RT6015-1AB01	24V 50/60HZ	1	YE00601502500								
7	K2	Contactors	SIEMENS	3RT6018-1AB01	24V 50/60HZ	1	YE00601802500								
8	K3	Middle relay	WEIDEMILE	GR-2C-AC24V	24VAC 50/60HZ	1	YE03022400300								
9	K4	Water level relay	JINDONG	C61F-GP	230VAC 50HZ	1	YE02612200000								
10	T	Transformer	JIUXIN	IN=400V/415V OUT=24V/230V	80VA/350mA	1	YE70040007200								
11	PC1	Circuit board	YUYUN	TM-01-PW 220VAC	180~430V 50/60Hz	1	YE81122000900								
12	S1	Thermocouple	SHINI	----	----	1	----	(1)							
13	S2 S3	Thermocouple	SHINI	----	----	2	----	(1)(2)							
14	S4	Overheat protector	----	----	----	1	----	(1)							
15	S5	LO pressure switch	----	----	----	1	----	(1)							
16	S6	HI pressure switch	----	----	----	1	----	(1)							
17	S7	Water level probe	----	----	----	1	----	(1)							
18	S8	Communication interface board RS-485 (double Dsub-9pin connector)	YUYUN	----	----	1	YE90048501200								
19	X1	Shell RS485(SAL-700G-A-1910)	BINCHENG	----	----	1	YR40048500000								
20	X1	Terminal board	HONEYWELL	SK2.5	2.5mm ²	18	YE60002503200								
21		Terminal board	HONEYWELL	GK2.5PE	2.5mm ² PE	8	YE60002503400								
22	Y1 Y2	Solenoid valve	----	----	24VAC 50/60Hz	2	----	(1)							
23	H1	Buzzer	JINGKANG	PK-35A	24VAC/DC	1	YE84003500600								
24	M1	Motor	SHINI	----	400V 50/60Hz 0.55kw	1	----	(1)							
25	M2	Piston pump	----	----	220~240V 50Hz 53W	1	----	(1)							
版本 Ver:H Notes: (1)Means it's not the material inside the control box.(2)Means equipped with function of displaying water outlet and return water temperature.															
D		Title		Drawing NO		Scale		Page		4		5		8	
		STM-607PW		Electrical Components list 1		STM-607PW-CE-400V-F-4		CE		Voltage		400V		Frequency	
Mark		Before modification		Modified by		Modify date		After modification		Date		20191014			
1		2		3		4		5		6		7		8	





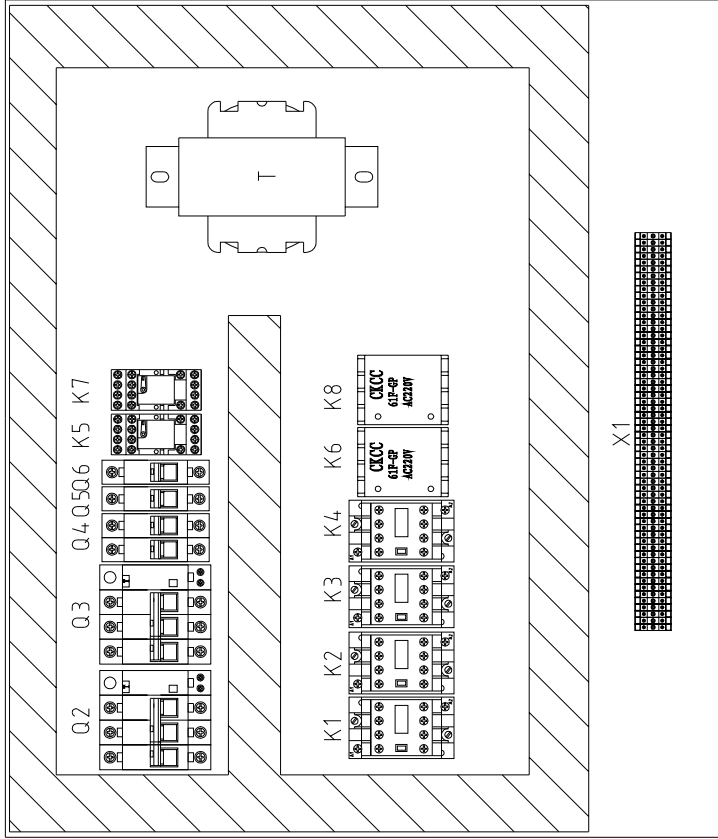
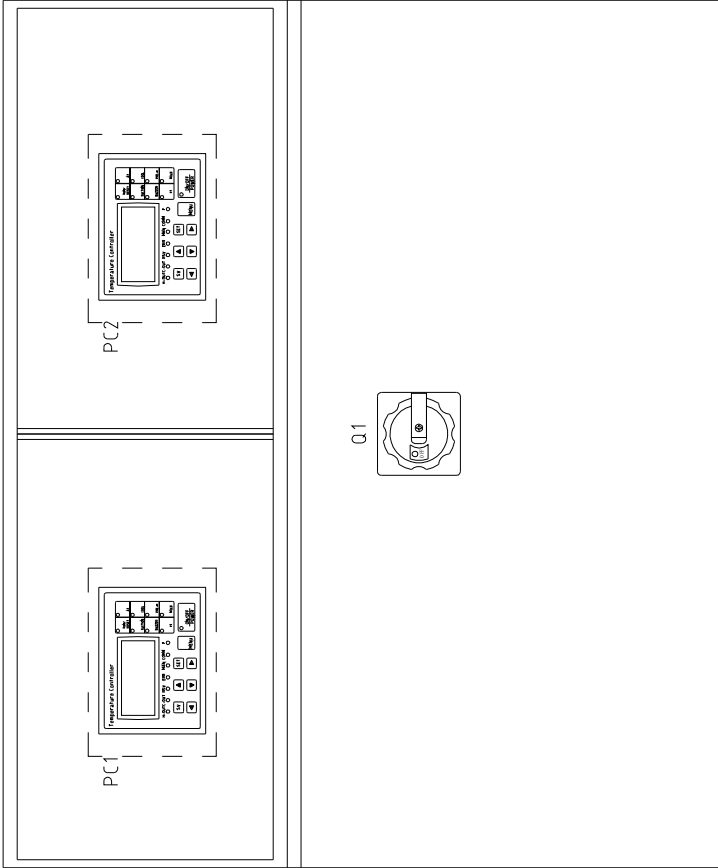
版本	Ver.E			
	Mark	Before modification	After modification	1
D	Drawer	Designer	Proofread by	Checked by
	Version	Approved by	Date	20190104
Title		C		
STM-607PW-D		Main Circuit Diagram		
Drawing NO		STM-607PW-D-CE-4.00V-C-1		
Scale	Standard	CE	Page 1	Totally 7 Pages
Voltage		400V		
Frequency		50HZ		
信易電熱機械股份有限公司		SHINI		
Shini Plastics Technologies, Inc.		SHINI		
		8		

1 2 3 4 5 6 7 8

A

B

C



X1

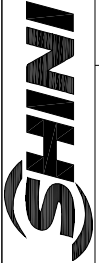


版本

Ver.E

Technical requirements: Pump and pipe heater should be directly connected to the output terminals of contactor.

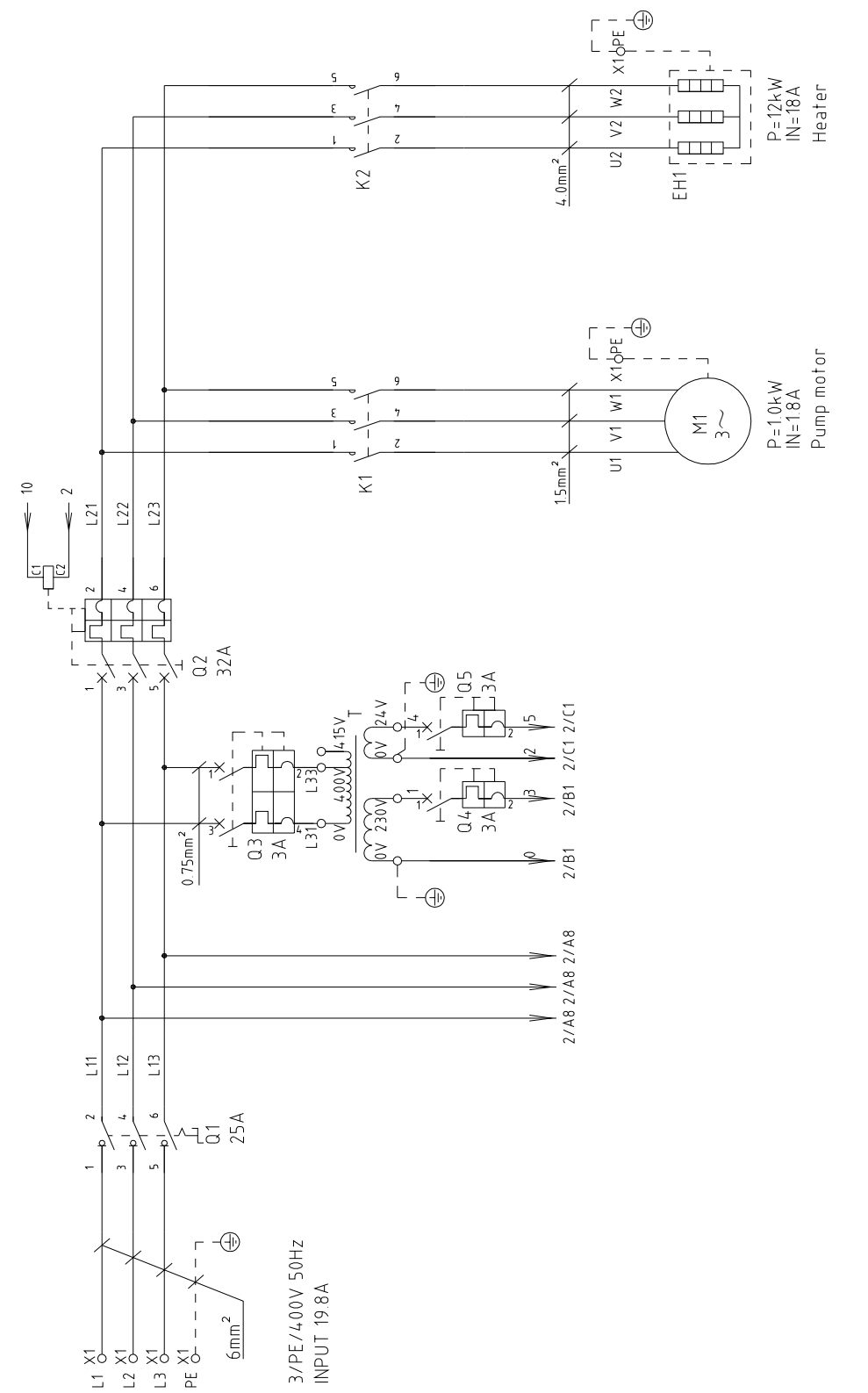
D	Mark	Before modification	Modified by	Modify date	C	Version	C	Title	Drawing NO		Scale	Page	4
		After modification	Approved by	Date					STM-607PW-D	STM-607PW-D-CE-4.00V-C-4			
				20191014				Electrical Components Layout	CE		Voltage	400V	
											Frequency	50HZ	
													8



信易電熱機械股份有限公司
Shini Plastics Technologies, Inc.

1	2		3	4	5	6	7	8
NO.	Symbol	Name	Manufacturer	Type	Specification	Number	Material number	Remark
1	Q1	Main power switch	EATON	P1-32/EA/SVB	32A	1	YE10323200000	
2	Q2 Q3	Circuit breakers	TECO	BM-63C/3016S	16A	2	YE40301603000	
3		Excitation release	TECO	MX	24V	2	YE40024000000	A
4	Q4	Circuit breakers	TECO	BM-63C/2003S 2P	3A	1	YE40200203000	
5	Q5 Q6	Circuit breakers	TECO	BM-63C/1003S 1P	3A	2	YE40100203000	
6	K1 K2	Contactors	SIEMENS	3RT6015-1AB01	24V 50/60HZ	2	YE00601502500	
7	K3 K4	Contactors	SIEMENS	3RT6018-1AB01	24V 50/60HZ	2	YE00601802500	
8	K5 K7	Middle relay	WEIDEMILE	GR-2C-AC24V	24VAC 50/60HZ	2	YE03022400300	
9	K6 K8	Water level relay	JINDONG	C61F-GP	230VAC 50HZ	2	YE02612200000	
10	T	Transformer	JIUXIN	IN=400V/415V OUT=24V/230V	80VA/500mA	1	YE70040003300	
11	PC1 PC2	Circuit board	YUYUN	TM-01-PW 220VAC	180~430V 50/60HZ	2	YE81122000900	B
12	S1 S11	Thermocouple	SHINI	----	----	2	----	(1)
13	S2 S3 S12 S13	Thermocouple	SHINI	----	----	4	----	(1)(2)
14	S4 S8	Overheat protector	----	----	----	2	----	(1)
15	S5 S9	LO pressure switch	----	----	----	2	----	(1)
16	S6 10	HI pressure switch	----	----	----	2	----	(1)
17	S7 S14	Water level probe	----	----	----	2	----	(1)
18	S15	Communication interface board RS-485 (double Dsub-9pin connector)	YUYUN	----	----	1	YE90048501200	
19		Shell RS485(SAL-700G-A-1910)	BINCHENG	----	----	1	YR40048500000	C
20	X1	Terminal board	HONEYWELL	SK2.5	2.5mm ²	30	YE60002503200	
21		Terminal board	HONEYWELL	GK2.5PE	2.5mm ² PE	14	YE60002503400	
22		Terminal board	HONEYWELL	GK6	6.0mm ²	3	YE60000603200	
23		Terminal board	HONEYWELL	GK6PE	6.0mm ² PE	1	YE60000603500	
24	Y1 Y2 Y3 Y4	Solenoid valve	----	----	24VAC 50/60HZ	4	----	(1)
25	H1	Buzzer	JINGKANG	PK-35A	24VAC/DC	1	YE84003500600	
版本								
Ver.E			Notes: (1)Means it's not the material inside the control box (2)Means equipped with function of displaying water outlet and return water temperature					
			Drawing NO	Scale	Page	6	D	
			Title	STM-607PW-D	Electrical Components list 1	STM-607PW-D-CE-4.00V-C-6	Standard	CE
			Version	C	Approved by		Voltage	400V
			Designer		Proofread by		Frequency	50HZ
Mark			Before modification	Modified by	Modify date	20191014	Checked by	
1	2	3	4	5	6	7	8	



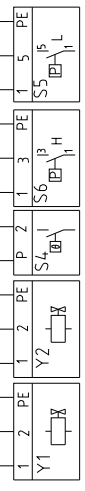
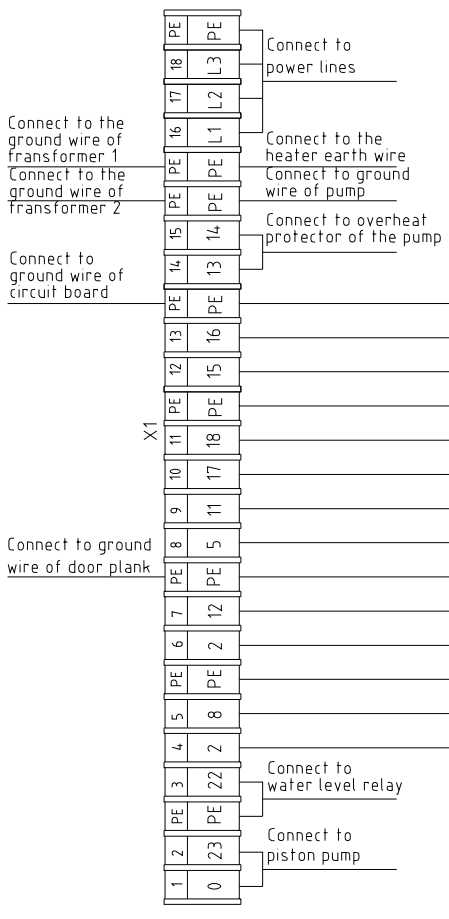
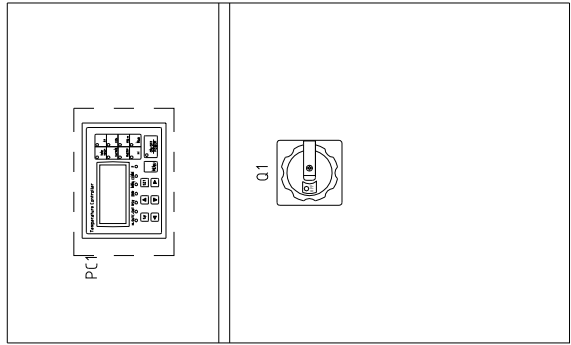
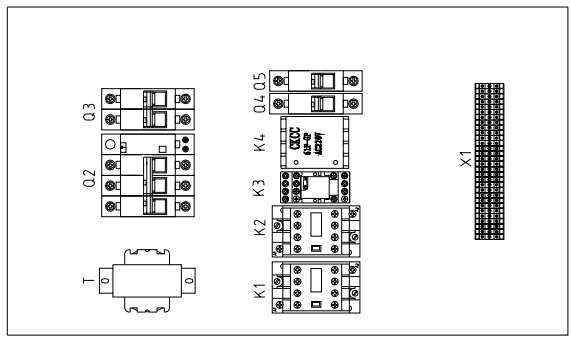


版本	Ver.H
Mark	Before modification
	After modification
	Modify date
	Checked by
	Proofread by
	Designer
	Drawer

Version	F
Approved by	
Date	20190104
Checked by	
Modify date	
Proofread by	
Designer	
Drawer	

Title	STM-1220PW	Drawing NO	STM-1220PW-CE-400V-F-1
	Main Circuit Diagram		
Scale	Standard	CE	Page 1
			Totally 5 Pages
		Voltage	400V
		Frequency	50HZ





Solenoid valve
Air exhaust/Overheat valve
solenoid protector switch for cooling valve

HI pressure switch
LO pressure switch

Technical requirements: Pump and pipe heater should be directly connected to the output terminals of contactor.

版本	Ver.H	Title	STM-1220PW		Drawing NO	STM-1220PW-CE-400V-F-3		Scale	Standard	CE	Page	3
				Electrical Components Layout		Standard	CE		Totally	5		Pages
Mark	Before modification	Date	20191014		Date	20191014		Voltage	400V		Frequency	50HZ
	After modification											
1	2	3	4	5	6	7	8					

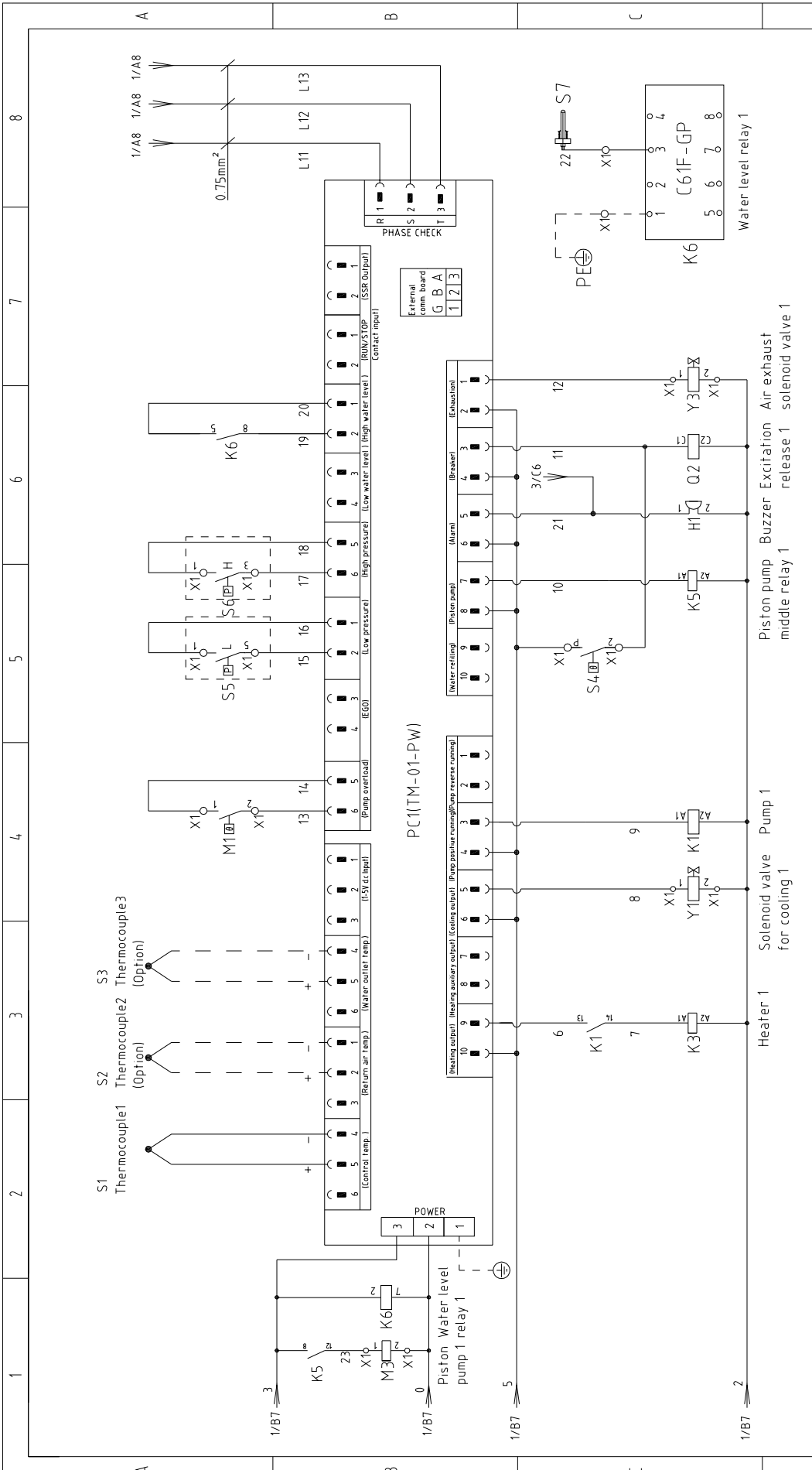


1		2		3		4		5		6		7		8	
NO.	Symbol	Name	Manufacturer	Type	Specification	Number	Material number	Remark							
1	Q1	Main power switch	EATON	P1-25/EA/SVB	25A	1	YE10125250000								
2	Q2	Circuit breakers	TECO	BM-63C/3032S	32A	1	YE40303203000								
3	Q3	Excitation release	TECO	MX	24VAC	1	YE40024000000								
4	Q4 Q5	Circuit breakers	TECO	BM-63C/2003S 2P	3A	1	YE40200203000								
5	Q4 Q5	Circuit breakers	TECO	BM-63C/1003S 1P	3A	2	YE40100203000								
6	K1	Contactors	SIEMENS	3RT6015-1AB01	24V 50/60HZ	1	YE00601502500								
7	K2	Contactors	SIEMENS	3RT6027-1AC20	24V 50/60HZ	1	YE00602702600								
8	K3	Middle relay	WEIDEMILE	GR-2C-AC24V	24VAC 50/60HZ	1	YE03022400300								
9	K4	Water level relay	JINDONG	C61F-GP	230VAC 50HZ	1	YE02612200000								
10	T	Transformer	JIUXIN	IN=400V/415V OUT=24V/230V	120VA/350MA	1	YE70040007300								
11	PC1	Circuit board	YUYUN	TM-01-PW 220VAC	180~430V 50/60HZ	1	YE81122000900								
12	X1	Terminal board	HONEYWELL	SK2.5	2.5mm ²	15	YE60002503200								
13		Terminal board	HONEYWELL	GK2.5PE	2.5mm ² PE	6	YE60002503400								
14		Terminal board	HONEYWELL	GK6	6.0mm ²	3	YE60000603200								
15		Terminal board	HONEYWELL	GK6PE	6.0mm ² PE	1	YE60000603500								
16		Terminal board	HONEYWELL	GK5PE	4.0mm ² PE	1	YE60000403500								
17	S1	Thermocouple	SHINI	----	----	1	----	(1)							
18	S2 S3	Thermocouple	SHINI	----	----	2	----	(1)(2)							
19	S4	Overheat protector	EGO	----	----	1	----	(1)							
20	S5	HI pressure switch	FENSHEN	----	----	1	----	(1)							
21	S6	LO pressure switch	FENSHEN	----	----	1	----	(1)							
22	S7	Water level probe	----	----	----	1	----	(1)							
23	S8	Communication interface board RS-485 (double Dsub-9pin connector)	YUYUN	----	----	1	YE90048501200								
24		Shell RS485(SAL-700G-A-19)0	BINCHENG	----	----	1	YR40048500000								
25	Y1 Y2	Solenoid valve	----	----	24VAC 50/60HZ	2	----	(1)							
版本															
Ver.H		Notes: (1)Means it's not the material inside the control box (2)Means equipped with function of displaying water outlet and return water temperature													
D		Title		Drawing NO		Scale		Page		Page		Page		Page	
		STM-1220PW		STM-1220PW		Electrical Components list 1		STM-1220PW-CE-400V-F-4		CE		Voltage		400V	
		F		Approved by		Date		20191014		Frequency		50HZ			
Mark		Before modification		Modified by		Modify date									
1		2		3		4		5		6		7		8	



1		2		3		4		5		6		7		8	
NO.	Symbol	Name	Manufacturer	Type	Specification	Number	Material number	Remark							
26	H1	Buzzer	JINGKANG	PK-35A	24VAC/DC	1	YE84.003500600								
27	M1	Motor	SHINI	----	400V 50/60Hz 1.0kw	1	----	(1)							
28	M2	Piston pump	----	----	220~240V 50Hz 53W	1	----	(1)	A						
29	EH	Heater	SHINI	----	400V 50/60Hz 12kw	1	----	(1)							
30		Terminal fittings E/GKseries(honeywell)	HONEYWELL	----	----	6	YE60000003900								
B															
C															
D															
版本 Ver.H Notes: (1)Means it's not the material inside the control box (2)Means equipped with function of displaying water outlet and return water temperature.															
		Title		Version		F		STM-1220PW		Drawing NO		Scale		Page	
		Electrical Components List 2		Approved by				Electrical Components List 2		STM-1220PW-CE-400V-F-5		Standard		CE	
		Date		Date		20190104						Voltage		400V	
Mark		Before modification		Modified by		Modify date						Frequency		50HZ	
1		2		3		4		5		6		7		8	





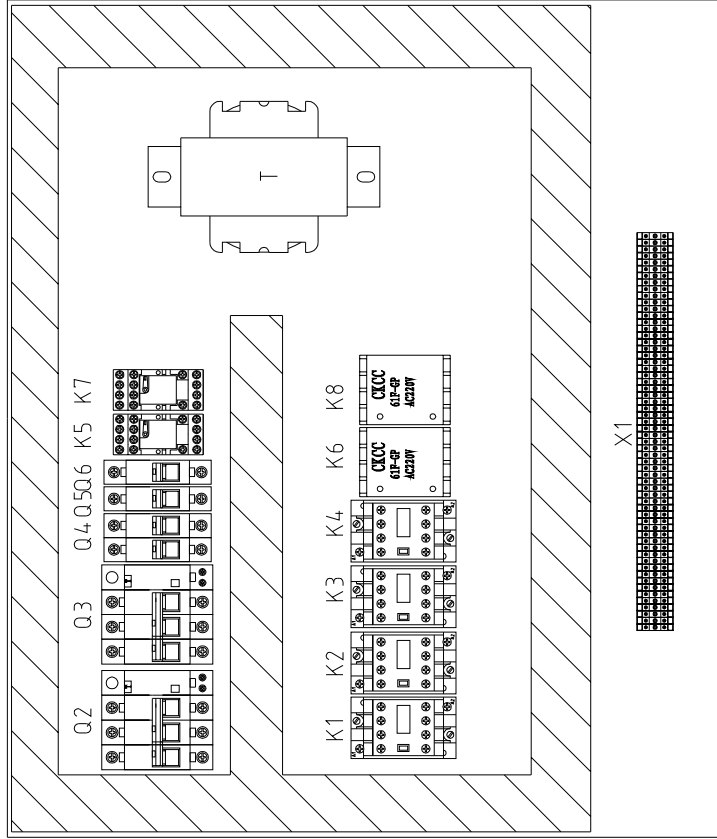
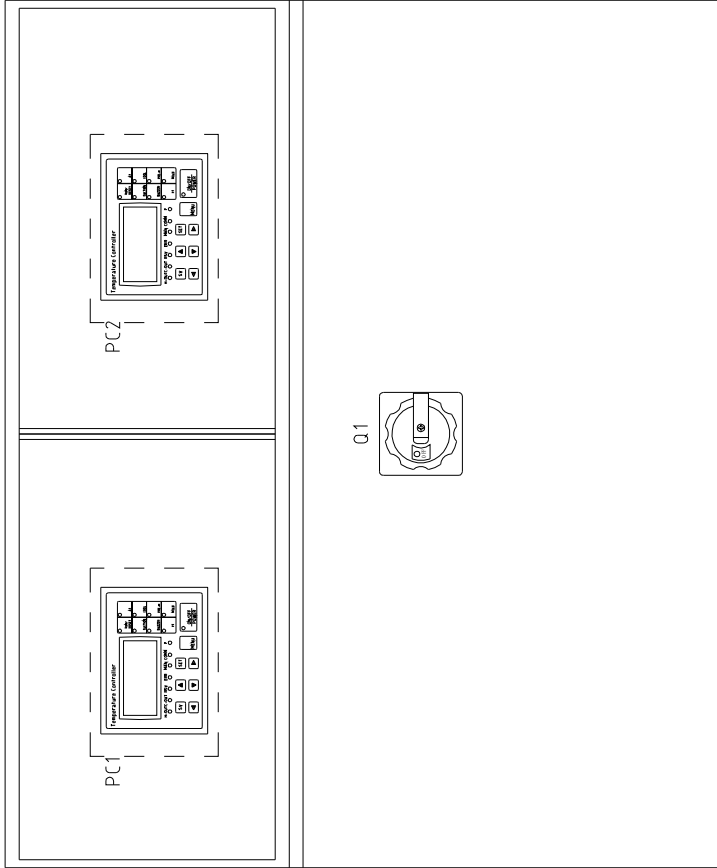
版本	Ver.B	Note: M1 is the overheat protection output contact of water pump.		Drawing NO		Page 2	
Mark	Before modification	Drawn	A	Title		Scale	
Modified by	Modify date	Designer	Approved by	STM-1220PW-D		Standard	
Checked by	Date	Proofread by		Control Circuit Diagram 1		CE	
After modification	20190104			STM-1220PW-D-CE-400V-A-2		Voltage	
				信易電熱機械股份有限公司		Frequency	
				SHINI		400V	
				Shini Plastics Technologies, Inc.		50HZ	
1	2	3	4	5	6	7	8

1 2 3 4 5 6 7 8

A

B

C



版本

Ver B

Technical requirements: Pump and pipe heater should be directly connected to the output terminals of contactor.

D	Mark	Before modification	Modified by	Modify date	Checked by	Proofread by	Designer	Drawer	Version	A	Title STM-1220PW-D Electrical Components Layout		Drawing NO STM-1220PW-D-CE-400V-A-4		Scale Standard	CE	Page 4	Totally 7	Pages
		After modification									20191014	Voltage Frequency		400V 50HZ					
												SHINI 信易電熱機械股份有限公司 Shini Plastics Technologies, Inc.							

1

2

3

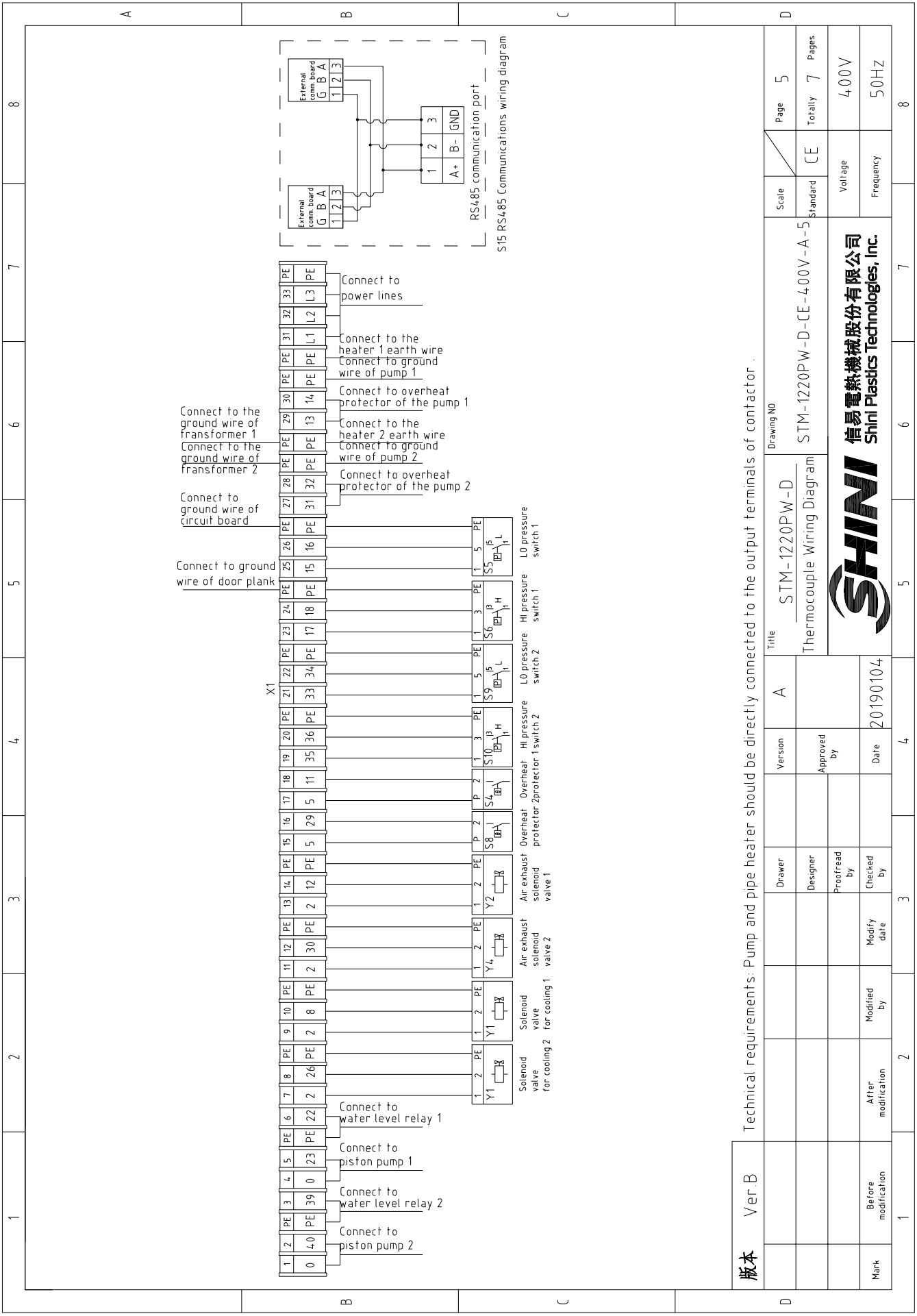
4

5

6

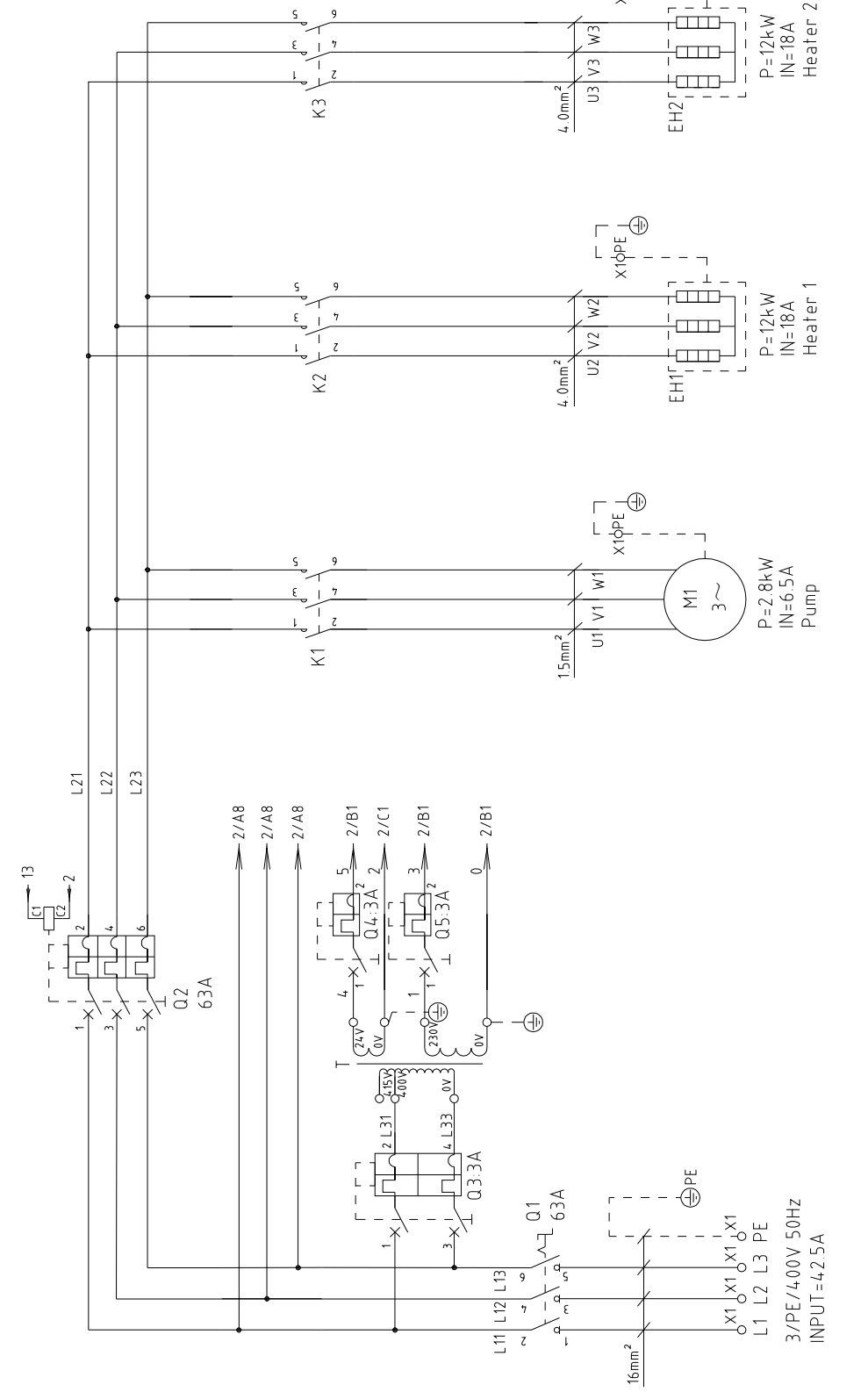
7

8



版本	Ver.B	Technical requirements: Pump and pipe heater should be directly connected to the output terminals of contactor.		
Mark	Before modification	Modified by	Modify date	20191014
		Proofread by	Checked by	
		Designer	Approved By	
		Drawer	Version	A
			Title	STM-1220PW-D
			Thermocouple Wiring Diagram	
			Drawing NO	STM-1220PW-D-CE-400V-A-5
			Standard	CE
			Page	5
			Totally	7
			Pages	
			Voltage	400V
			Frequency	50HZ



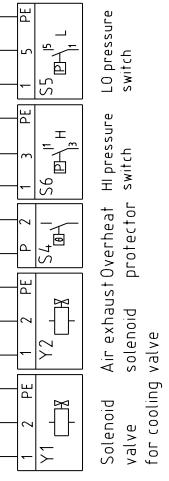
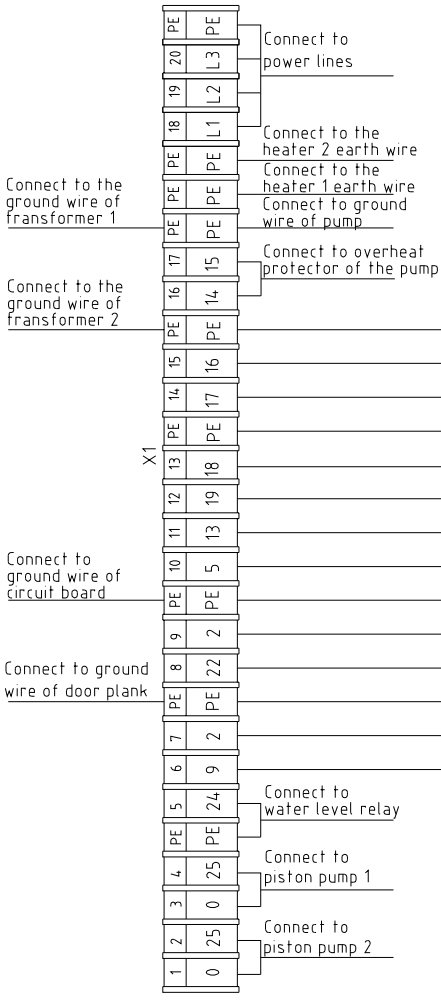
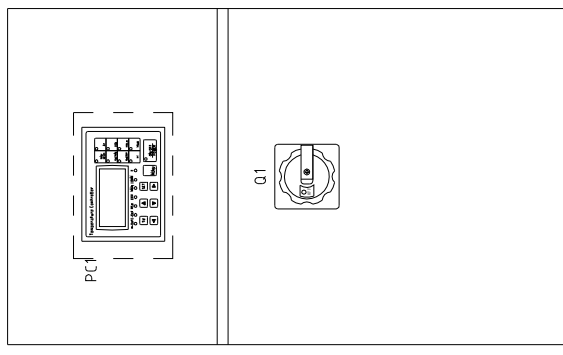
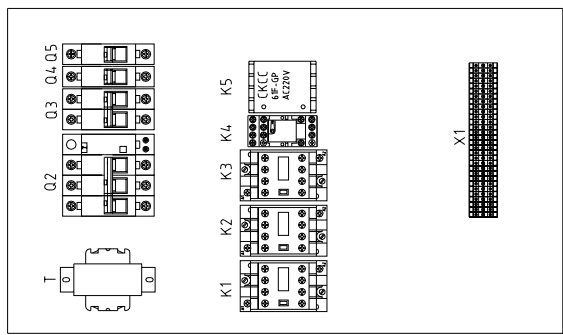


版本	Ver.C	
	1	2
Mark	Before modification	After modification
	Modified by	Modify date
Version	Designer	Proofread by
	Approved by	Checked by
Title	STM-2440PW	
	Main Circuit Diagram	
Drawing NO	STM-2440PW-CE-400V-B-1	
	Standard	
Scale	CE	
	Voltage	
Page	1	
	Totally 5 Pages	
Frequency	400V	
	50HZ	



1 2 3 4 5 6 7 8

A B C D



Solenoid valve for cooling valve
 Air exhaust solenoid valve
 Overheat protector for cooling valve
 Hi pressure switch
 LO pressure switch

Technical requirements: Pump and pipe heater should be directly connected to the output terminals of contactor.

版本	Ver.C	Version	B	Title	STM-2440PW	Scale	Page 3
Mark	Before modification	Designer		Electrical Components Layout		Standard	Totally 5 Pages
	After modification	Proofread by		STM-2440PW-CE-400V-B-3		Voltage	400V
	Modify date	Checked by		SHINI		Frequency	50HZ
	2	Date	20191014	信易电热机械股份有限公司 Shini Plastics Technologies, Inc.			
	3			SHINI			
	4			Drawing NO			
	5			STM-2440PW-CE-400V-B-3			
	6						
	7						
	8						

1		2		3		4		5		6		7		8	
NO.	Symbol	Name	Manufacturer	Type	Specification	Number	Material number	Remark							
1	Q1	Main power switch	EATON	P3-63/EA/SVB	63A	1	YE10636300000								
2	Q2	Circuit breakers	TECO	BM-63C/3063S	63A	1	YE40306303000								
3		Excitation release	TECO	MX	24VAC	1	YE40024000000								
4	Q3	Circuit breakers	TECO	BM-63C/2003S 2P	3A	1	YE40200203000								
5	Q4 Q5	Circuit breakers	TECO	BM-63C/1003S 1P	3A	2	YE40100203000								
6	K1	Contactors	SIEMENS	3RT6016-1AB01	24VAC 50/60HZ	1	YE00601602500								
7	K2 K3	Contactors	SIEMENS	3RT6027-1AC20	24VAC 50/60HZ	2	YE00602702600								
8	K4	Middle relay	WEIDEMILE	GR-2C-AC24V	24VAC 50/60HZ	1	YE03022400300								
9	K5	Water level relay	JINDONG	C61F-GP	230VAC 50HZ	1	YE02612200000								
10	T	Transformer	JIUXIN	IN=400V/415V OUT=24V/230V	120VA/500MA	1	YE70040003600								
11	PC1	Circuit board	YUYUN	TM-01-PW	180~430V 50/60HZ	1	YE81122000900								
12	X1	Terminal board	HONEYWELL	SK2.5	2.5mm ²	17	YE60002503200								
13		Terminal board	HONEYWELL	GK2.5PE	2.5mm ² PE	6	YE60002503400								
14		Terminal board	HONEYWELL	GK16	16.0mm ²	3	YE60001603200								
15		Terminal board	HONEYWELL	GK16PE	16.0mm ² PE	1	YE60001603500								
16		Terminal board	HONEYWELL	GK5PE	4.0mm ² PE	2	YE60000403500								
17	S1	Thermocouple	SHINI	----	----	1	----	(1)							
18	S2 S3	Thermocouple	SHINI	----	----	2	----	(1)(2)							
19	S4	Overheat protector	EGO	----	----	1	----	(1)							
20	S5	HI pressure switch	FENSHEN	----	----	1	----	(1)							
21	S6	LO pressure switch	FENSHEN	----	----	1	----	(1)							
22	S7	Water level probe	----	----	----	1	----	(1)							
23	S8	Communication interface board RS-485 (double Dsub-9pin connector)				1.000	YE90048501200								
24		Shell RS485(SAL-700G-A-1910)				1.000	YR40048500000								
25	Y1 Y2	Solenoid valve	----	----	24VAC 50/60HZ	2	----	(1)							
版本															
Ver C		Notes: (1)Means it's not the material inside the control box (2)Means equipped with function of displaying water outlet and return water temperature.													
		Drawer	Designer	Proofread by	Checked by	Modify date	Modified by	After modification	Title		Version		B		
									STM-2440PW		Electrical Components list 1		STM-2440PW-CE-400V-B-4		
									Drawing NO		Scale		Page		
									Standard		CE		4		
									Voltage		Frequency		400V		
									Frequency		Voltage		50HZ		
Mark		Before modification	Modified by	Modify date	Checked by	Date	20191014		SHINI		信易电热机械股份有限公司		Shini Plastics Technologies, Inc.		
1		2		3		4		5		6		7		8	

