

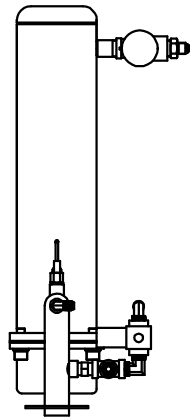
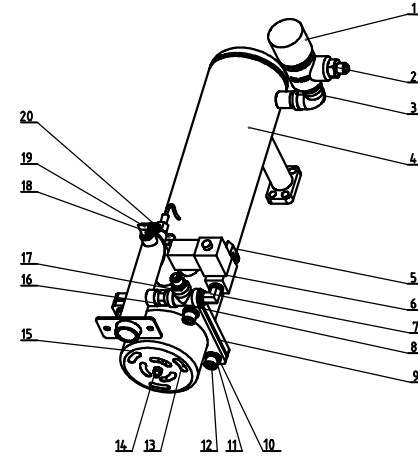
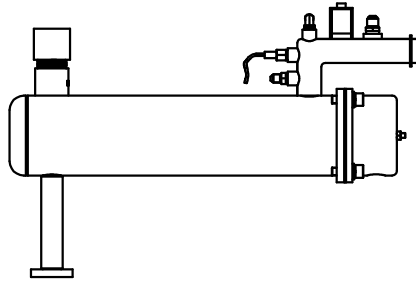
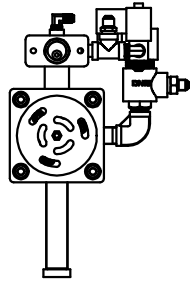
Cooling Method	Heating Tank Qty.	Pump Max. Pressure Bar1	Max. pump Flow(L/min) (G0/60Hz)	Pump Power(KW) (G0/60Hz)	Heater kW	Weight kW	Ver.
Indirect Cooling	1	4.8	25.5/28	0.6/0.69	6	80	J
		Max. Temp.	Est. Size (mm)(H×W×D)	Inlet /Outlet Size (inch)	Sub water tank capacity L	Heating tank capacity L	
		180°C	690×320×910	3/2		1.4	3.4

43	YW66061300000	Flat washer A grade 6	Q235A	4	
42	STM-607PW-C-ALL	Return water pipe assembly		1	
41	STM-607PW-D-ALL	Refilling connector		1	Assembly
40	YW67481900000	Cross recessed pan head self-tapping screw	Q235A	4	GB/T15856.1
39	STM-607PW-F-ALL	Plunger pump refilling assembly		1	Assembly
38	STM-607PW-ALL-03	Control box rear plate		1	Welding parts
37	YW03002500000	Caster		4	2.5"without brake
36	YW06219100000	Large hinge	2024	2	Shengjiu CL219-1
35	YW90120700000	Alu. cooler	6061	1	
34	STM-607PW-ALL-01	Control box		1	Welding parts
33	YW85015000000	Pressure gauge		1	0~1.5MPa range
32	YW69081500000	Butterfly ball M6×5	Q235A	2	GB/T 3098
31	YW66081600000	Flat washer A grade (8.4×16×1.6)	Q235A	2	GB/T97.1
30	YE818500100100	STM controller		1	
29	YE84.003500200	buzzer PK-3A 220V	PVC	1	
28	STM-607PW-ALL-02	Door plank		1	Welding parts
27	YW00000000100	Long door lock	PVC	1	
26	YW20660900100	Door plank alu. handle	2024	1	6609(Ya Xuan)
25	YE10125250000	Main power switch	Q235A	1	P1-25
24	BH90115000050	High temp. tester		1	EGO
23		RS485 comm. connector		1	Assembly
22	SG-S-01	Wire clamp fixed plate	SPCC2.0	1	
21	YE67201500100	Copper nickel plated cable head	H62	1	for 2.5×4C cable
20	YW62051000100	Large cross recessed flat head screw M5×10	Q235A	4	JIS1111
19	YW65008000100	Standard spring washer 8	65Mn	4	GB/T93
18	YW66082200100	Large washer C grade	Q235A	8	GB/T968(8.4×24×2)
17	YW62061000000	Large cross recessed flat head screw M6×10	Q235A	18	JIS1111
16	YR10551500000	Graphite washer	ISO-68	2	for MP-55
15	YW61082001200	Inner hex. column head screw M8×20	12.9	12	GB/T770.1
14	YW66061800000	Flat washer A grade	Q235A	4	GB/T96.1(6×18×1.5)
13	YW60062500000	Hex. bolt M6×25	4.8	4	GB/T5781
12	YW65006000100	Standard spring washer 6	65Mn	10	GB/T93
11	YW64.000600300	Hex. nut M6	Q235A	6	GB/T6170
10	MP-55	Magnetic pump	Q235A	1	Shini produced
9	STM-607PW-A-ALL	Rack		1	Welding parts
8	YW57010200000	Y-type strainer	H62	1	1/2"PT 30-35 mesh
7	STM-607PW-B-21	Cooling water inlet connector		1	Welding parts
6	S-133	Copper insert	H58	1	
5	STM-607PW-E-ALL	Drainage connector		1	
4	STM-607PW-B-20	Plate exchange fixed plate	SPCC2.0	1	
3	STM-1220PW-D-B-29	Right plate exchanger		1	
2	STM-607PW-B-ALL	Heating tank assembly		1	Welding parts
1	YR4052304.0000	Plastic flexible buckle	PVC	1	52×30 has mould

4.6	YE90002000000	Pressure switch controller HLP520E	PVC	1	5-20KG auto reset
4.5	YE90000800000	Low pressure switch controller	PVC	1	0-8KG/auto
4.4	YW60061500100	Hex. bolt M6×16	12.9	2	GB/T5783

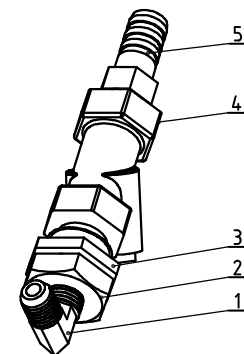
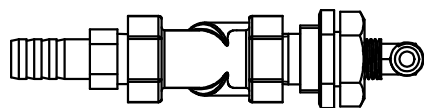
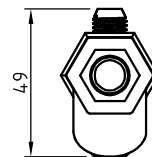
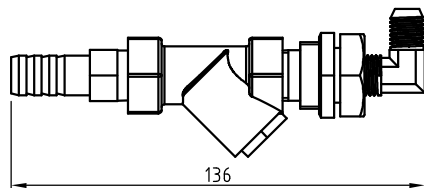
No.	Material number	Name	Mat.	Num.	Remarks	No.	Material number	Name	Mat.	Num.	Remarks	
					制图		标题	STM-607PW			图号	STM-607PW-ALL
					设计			高温水式模温机			比例	数量
					校对						表面要求	材质
					审核						物料号	
	标记	更改前	更改后	更改人	日期	审核	日期					





20	S-192	Pressure gauge connector	H62	1	1/4"PTx1/4"H
19	YW04010400400	Tonflon pipe male thread elbow	H62	1	1/4"Hx1/4"PT L
18	BE90342500050	Thermocouple	SUS304	1	2.5M
17	S-116	Tonflon pipe male thread elbow	H62	1	3/8"PTx3/8"H
16	S-07	Copper connector	H58	1	3/8"PTx3/8"PT
15	S-190	Pipe heater cover	SPCC1.0	1	
14	YW6400600300	Hex. nut M6	Q235A	2	GB/T6170
13	STM-607PW-H-ALL	Pipe heater assembly		1	Welding part borrow
12	YW61103000100	Inner hex. column head screw M10-30	12.9	4	GB/T170.1
11	YW65010000000	Standard spring washer 10	65Mn	4	GB/T193
10	YW661020000100	Flat washer A grade 10	Q235A	4	GB/T197.1 (11x20x2)
9	YR20121200000	Flexible graphite gasket	ISO-68	1	120x120x2.0
8	YW52030800000	3/8" stainless steel 3-way	SUS304	1	
7	YW04030800100	Copper connector	H62	1	3/8"PT(L)
6	YE32203000900	Solenoid valve		1	3/8" AirTAC 24VAC
5	YW04030800300	Tonflon connector	H58	1	3/8"PTx3/8"H L
4	STM-607PW-B-01	Heating tank		1	Welding part
3	YW53001200100	Stainless steel wire elbow	SUS304	1	3/8"PT
2	S-91	Tonflon pipe male thread elbow	H62	1	3/8"Hx1/2"PT
1	YW05141200000	Safety valve	SUS304	1	3/8" male thread
No.	Material number	Name	Mat.	Num	Remarks

					制图	版号	标题	图号	比例	数量
					设计	核准	STM-607PW	STM-607PW-B-ALL	1:1	1
					校对		加热桶组件		1:1	1
					审核				表面要求	材质
标记	更改前	更改后	更改人	日期	审核	日期	信昌智能机械股份有限公司 Shini Intelligent Technologies, Inc.		物料号	

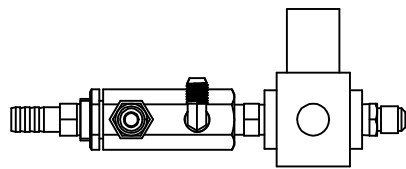
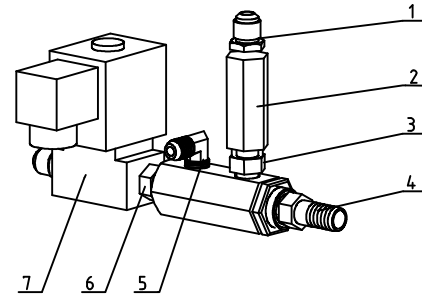
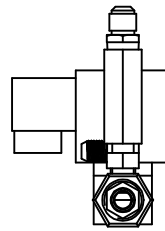
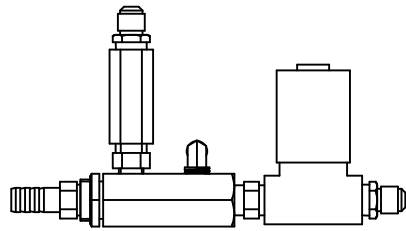


5	S-85	Copper insert	H58	1	3/8"PT×diameter 13
4	YW57030800000	Y strainer water valve 3/4"	Cu	1	
3	S-136	Comm. copper nut	H58	1	thread M22×1.5
2	S-58	Comm. connector	Q235A	1	
1	YW04.0104.004.00	Tonflon pipe male thread elbow	H62	1	1/4"H×1/4"PT L
No.	Material number	Name	Mat.	Num.	Remarks

					制图	版号	标题	图号	比例	数量
					设计	核准	冷却水进接头组件	STM-607PW-B-21		材质
					校对		信易電熱機械股份有限公司 Shini Plastics Technologies, Inc.			表面要求
标记	更改前	更改后	更改人	日期	审核	日期				物料号

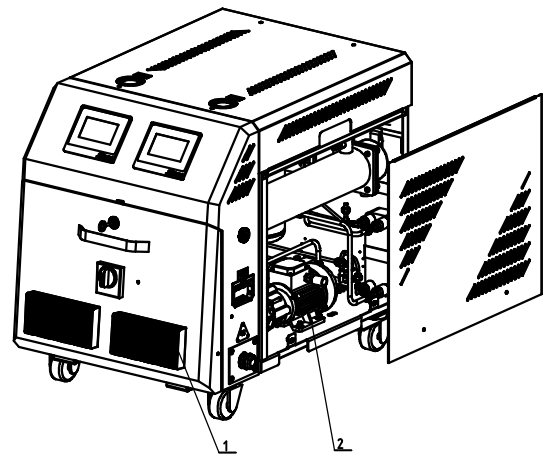
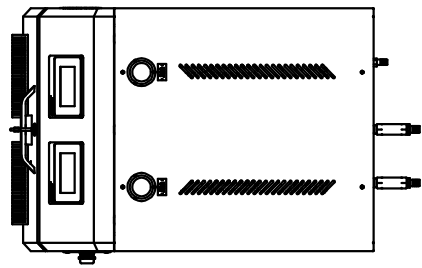
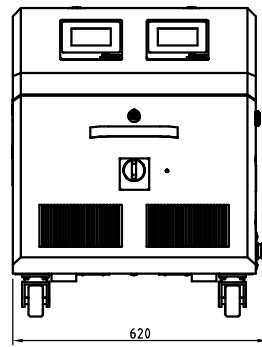
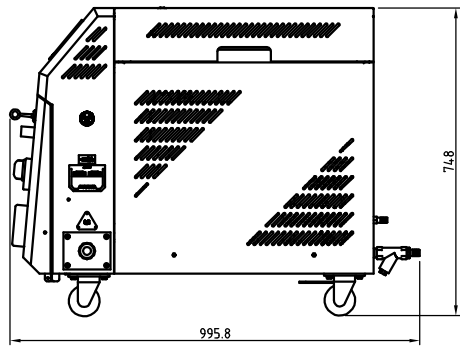






7	YE300038024.00	Solenoid valve AC24V Airfac		1	2LH050-10E
6	S-07	Copper pipe	H58	1	3/8"PT×3/8"PT
5	YW04.0104.004.00	Tonflon pipe male thread elbow	H62	1	1/4"H×1/4"PT L
4	S-139	The 2th set of copper connector		1	
3	S-50	Copper pipe	H58	1	3/8"PT×1/4"PT
2	YW593834.00000	Single way valve 3/8"	SUS304	1	3/8"(SUS304)
1	S-116	Tonflon pipe male thread elbow	H62	2	3/8"PT×3/8"H
No.	Material number	Name	Mat.	Num.	Remarks

					制图	版号	标题	STM-607PW	图号	STM-607PW-E-ALL	比例	数量
					设计	核准	排水接头部件					材质
					校对						表面要求	
标记	更改前	更改后	更改人	日期	审核	日期	<b>信易電熱機械股份有限公司</b> <b>Shini Plastics Technologies, Inc.</b>			物料号		



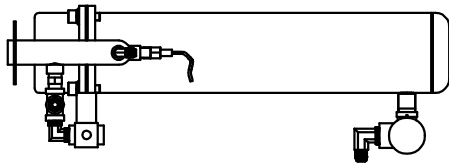
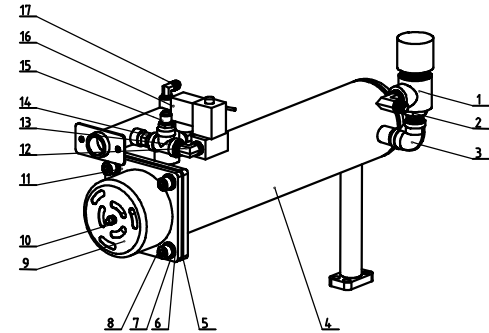
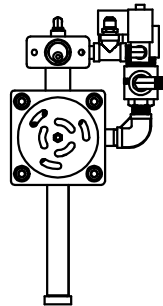
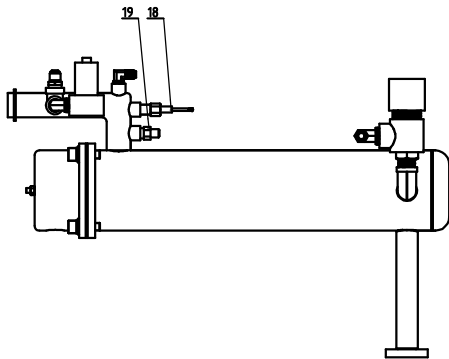
Cooling Method	Heating Tank Qty.	Pump Max. Pressure (bar)	Max. pump flow (L/min) (50/60Hz)	Pump Power (kW) (50/60Hz)	Heater kW	Weight (kg)	Ver.
Indirect Cooling	2	4.8	25.5/28	0.6x2/0.69x2	6x2	185	G
	Max. Temp.	Ext. Size (mm)(HxWxD)	Inlet /Outlet Size (Inch)	Sub water tank capacity (L)	Heating tank capacity (L)		
	180°C	750x620x990	2/2	1.4x2	3.2x2		

2	STM-607PW-D-A-ALL	internal structure		1	
1	STM-1220PW-D-A-ALL	House sheet metal		1	
No.	Material number	Name	Mat.	Num.	Remarks

					制图	版号
					设计	核
					校对	准
					审核	
标记	更改前	更改后	更改人	日期	审核	日期

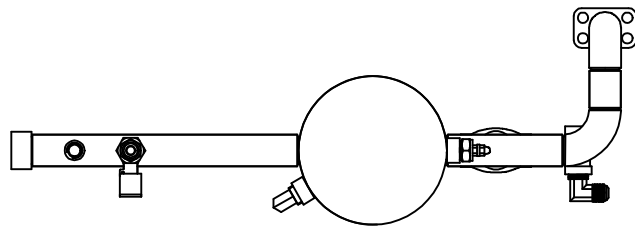
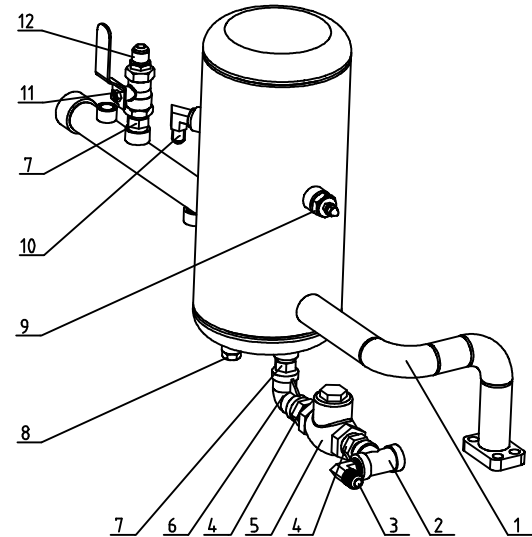
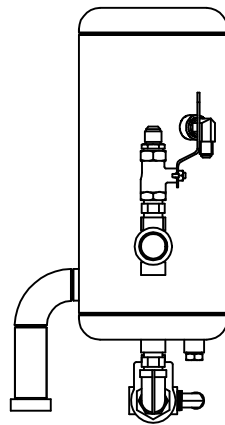
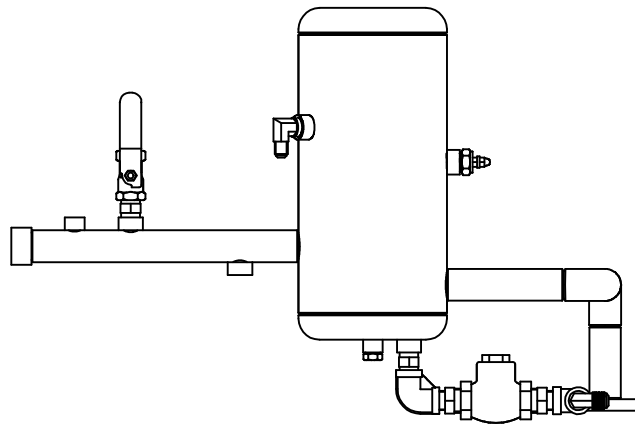
标题	STM-607PW-D	图号	STM-607PW-D-ALL	比例	数量
	高温型双段水式模温机			1:1	材质
信易机械股份有限公司 Shini PlasTech Technologies, Inc.				表面要求	
				物料号	





19	BH12010400410	Tonflon pipe connector	H58	1	1/4"Hx1/4"PT
18	BE90341500050	Thermocouple	SUS304	1	1.5M
17	YW04010400400	Tonflon pipe male thread elbow	H62	1	1/4"Hx1/4"PT L
16	YE32203000900	Solenoid valve		1	3/8"Arctac 24VAC
15	S-116	Tonflon pipe male thread elbow	H62	1	3/8"PTx3/8"H
14	S-07	Copper connector	H58	1	3/8"PTx3/8"PT
13	YW52030800000	3/8" stainless steel 3-way	SUS304	1	
12	YW04030800100	Connector	H62	1	3/8"PT(L)
11	STM-607PW-H-ALL	Pipe heater assembly		1	Welding part borrow
10	YW64000600300	Hex. nut M6	Q235A	1	GB/T6170
9	S-190	Pipe heater cover	SPCC1.0	1	
8	YW61103000100	Inner hex. column head screw M10x30	12.9	4	GB/T70.1
7	YW65010000000	Standard spring washer 10	65Mn	4	GB/T93
6	YW66102000100	Flat washer A grade 10	Q235A	4	GB/T97.1 (11x20x2)
5	YR20121200000	Flexible graphite gasket	ISO-68	1	120x120x2.0
4	STM-607PW-D-A-01	Heating tank		1	Welding part
3	YW53001200100	Stainless steel wire elbow	SUS304	1	1/2"PT
2	YW04010200200	Tonflon pipe connector	H58	1	1/2"PTx3/8"H L type
1	YW05141200000	Safety valve	SUS304	1	1/2" male thread
No.	Material number	Name	Mat.	Num.	Remarks

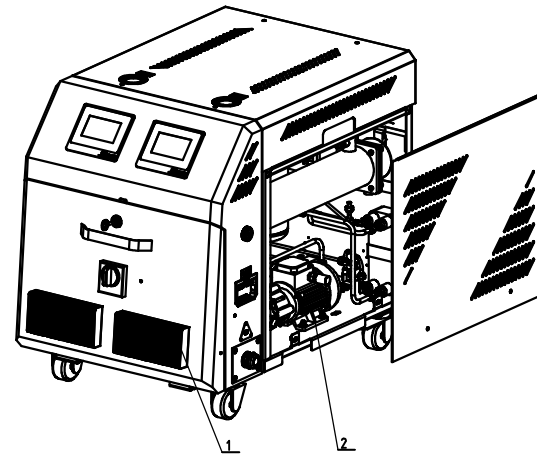
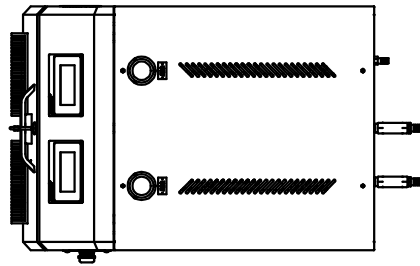
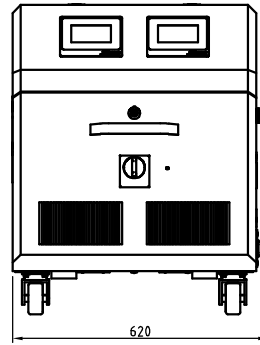
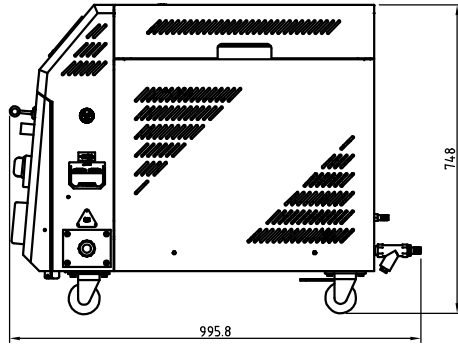
					制图	版号	标题	图号	比例	数量
					设计	核准	STM-607PW-D	STM-607PW-D-A-03	1:1	1
					校对		加热箱组件			材质
					审核		<b>SHINI</b> 信易智能科技有限公司 Shini Positioning Technologies, Inc.			表面要求
标记	更改前	更改后	更改人	日期	审核	日期				物料号



12	S-116	Tonflon pipe male thread connector	H62	1	3/8"PT×3/8"H
11	YW50382300500	Ball valve 3/8"	SUS304	1	One piece with stand pressure 2.3MPaKITZ
10	YW04030800500	Tonflon pipe connector	H58	1	3/8"PT×1/4"H L
9	YW09003800500	Single water level probe	Q235A	1	3" without lead wire withstand pressure 15Hpa
8	S-11	Bottom screw	H58	1	1/4"PT
7	S-07	Copper connector	H58	2	3/8"PT×3/8"PT
6	YW53308000000	Stainless steel elbow 3/8"	SUS304	1	
5	YW59010200300	Rotary check valve R <sub>2</sub> 1/2"	Cu	1	KITZ
4	S-92	Copper connector	H58	2	3/8"PT×1/2"PT
3	YW04030800300	Tonflon pipe connector	H58	1	3/8"PT×3/8"HL
2	YW52030800000	3/8" stainless steel 3-way	SUS304	1	
1	STM-607PW-D-A-02	Return water pipe		1	welding parts
No.	Material number	Name	Mat.	Num.	Remarks

					制图	版号	标题	图号	比例	数量
					设计	核 准	STM-607PW-D	STM-607PW-D-A-04		材质
					校对		回水管组件			表面要求
标记	更改前	更改后	更改人	日期	审核	日期	<b>信易电热机械股份有限公司</b> <b>Shini Plastics Technologies, Inc.</b>		物料号	

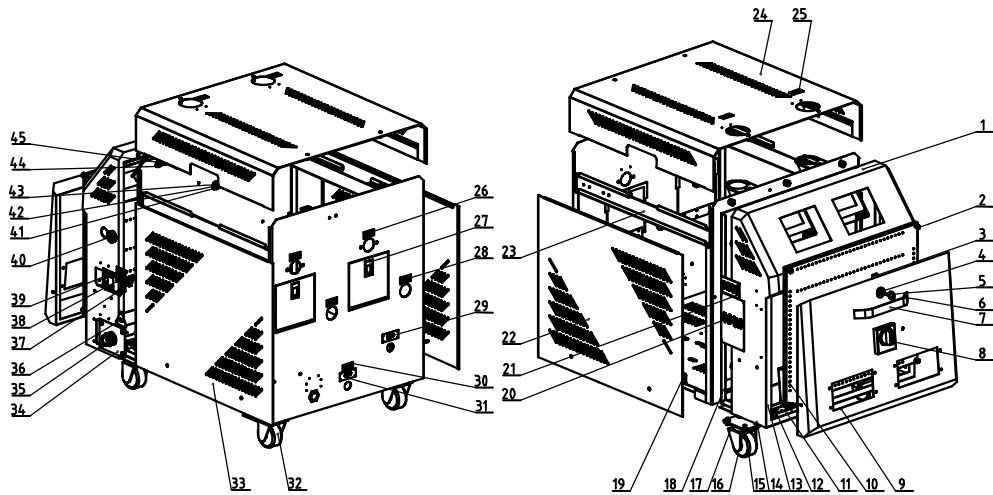
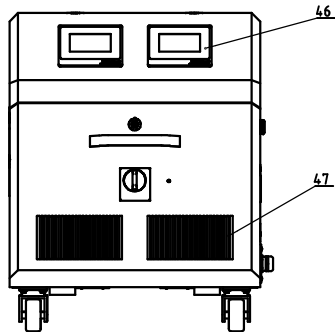
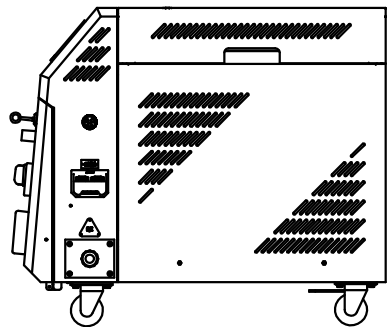
Cooling Method	Heating Tank Qty.	Pump Max. Pressure (bar)	Max. pump Flow (l/min) (50/60Hz)	Pump Power(kW) (50/60Hz)	Heater Qty	Weight (kg)	Ver.
Indirect Cooling	2	5.8	50/60	1.05*2/1.2*2	12*2	190	D
		Max. Temp.	Est. Size (mm)(HxWxD)	Inlet /Outlet Size (inch)	Hot water tank capacity (L)	Heating tank capacity (L)	
		180°C	750x620x990	3/2	1.4*2	3.2*2	



2	STM-1220PW-D-A-ALL	internal structure		1	
1	STM-1220PW-D-A-ALL	external sheet metal		1	
No.	Material number	Name	Mat.	Num.	Remarks

					制图	版号
					设计	核
					校对	准
标记	更改前	更改后	更改人	日期	审核	日期

标题	STM-1220PW-D	图号	STM-1220PW-D-ALL	比例	数量
高温型双段水式模温机				1:1	1
SHINI 信易智能机械股份有限公司 Shini Plastic Technologies, Inc.				表面要求	材质
				物料号	

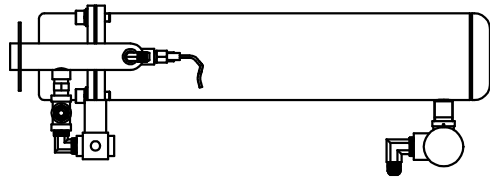
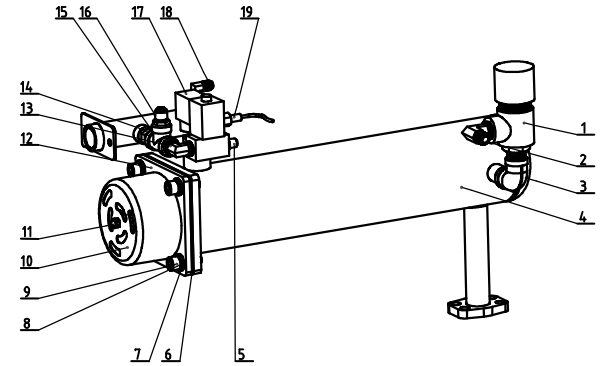
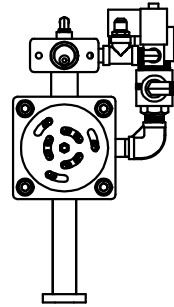
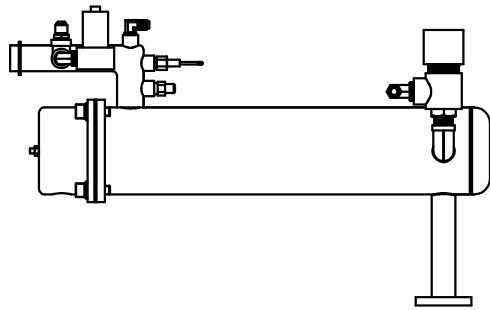


47	YW90120700000	Alu. cooler	6061	2	
46	YE81850100100	STM connector		2	
45	YW66081600000	Flat washer A grade (8.4×16×1.6)	Q235A	3	GB/T97.1
44	YW69081500000	Butterfly bolt M8×15	Q235A	3	GB/T 3098
43	YW65008000100	Standard spring washer 8	65Mn	9	GB/T93
42	YW66082200100	Large washer C grade	Q235A	6	GB/T968(8.4×24×2)
41	YW61082001200	Inner hex. column head screw M8x20	12.9	6	GB/T70.1
40	YE84003500600	Buzzer PK-35A 24V	PVC	1	
39	YP30048500000	Alu. plate table	2024	1	485 comm. connector
38	YE90048501200	RS485 comm. interface plate		1	
37	YR40048500000	Shell RS485		1	
36	YP31051650000	Power Alu. plate table	2024	1	Power triangle 3-phase 400V
35	YE67321500100	Copper nickel plated cable connector	H62	1	
34	SG-S-01	Wire clamp fixed plate	SPCC2.0	1	
33	STM-1220PW-D-A-06	Right side plate		1	Welding parts
32	YW03000300000	3" without brake castor	Q235A	2	
31	YP30431000000	Alu. plate table	2024	1	water inlet
30	YP3109104.0000	Alu. plate table	2024	1	Clean the filter regularly
29	YP30430000000	Alu. plate table	2024	1	water outlet
28	YP30422000000	Alu. plate table	2024	2	from mould
27	YR4052304.0000	Plastic stretch buckle	PVC	2	52×30 has mould
26	YP30423000000	Alu. plate table	2024	2	to mould
25	YP30425000000	Alu. plate table	2024	2	Pressure gauge
24	STM-1220PW-D-A-08	Cover plate		1	Welding parts
23	STM-1220PW-D-A-01	Rack		1	Welding parts
22	STM-1220PW-D-A-07	Left side plate		1	Welding parts
21	YP30437000000	Alu. plate table	2024	1	Shin nameplate
20	YP31115800600	Alu. plate table	2024	1	STM repair & maintenance
19	YW01051000000	Pin spring	65Mn	8	for STM new model
18	STM-1220PW-D-A-02	Control box rear plate		1	Welding parts
17	YW03000300200	3" without brake castor	Q235A	2	
16	YW65060000000	Standard spring washer 6	65Mn	16	GB/T93
15	YW66061800000	Large washer A grade	Q235A	16	GB/T96.1(6×18×1.5)
14	YW60061500100	Hex. bolt M6×16	12.9	16	GB/T5783
13	YW67040600600	Cross recessed pan head tapping lock screw M4×6	Q235A	6	GB6560
12	YW62051000100	Large cross recessed flat head screw M5×10	Q235A	12	JIS1111
11	YW06219100000	Large hinge	2024	2	Shengju CL219-1
10	STM-1220PW-D-A-04	Control bottom plate	SECC15	1	
9	STM-1220PW-D-A-05	Door plank		1	Welding parts
8	YE10021160000	Main power switch	PVC	1	TO-2-1/E/A/SVB/16A Mu Le
7	YW20660900100	Alu. door plank handle	2024	1	6609(Ya Xuan)
6	YW63040600000	Cross recessed pan head screw M4×6	Q235A	2	GB/T-823
5	YW00040600200	Long door lock key	SUS201	1	CF-406-DH
4	YW00000000100	Long door lock	PVC	1	
3	YW00040600000	Long door lock fender	SUS201	1	MF-406-DH
2	YW63062000000	Cross recessed pan head screw M6x20	Q235A	4	GB/T-818
1	STM-1220PW-D-A-03	Control box		1	Welding parts
No.	Material number	Name	Mat.	Num.	

					制图	版号	标题	STM-1220PW-D	图号	STM-1220PW-D-A-ALL	比例	数量
					设计	核	外壳钣金				1:1	1
					校对	准					表面要求	材质
					审核	日期					物料号	
标记	更改前	更改后	更改人	日期	审核	日期						

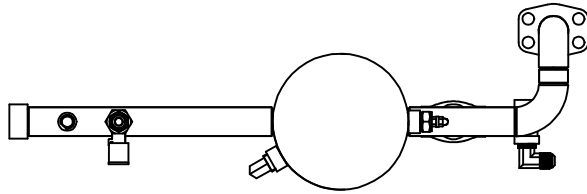
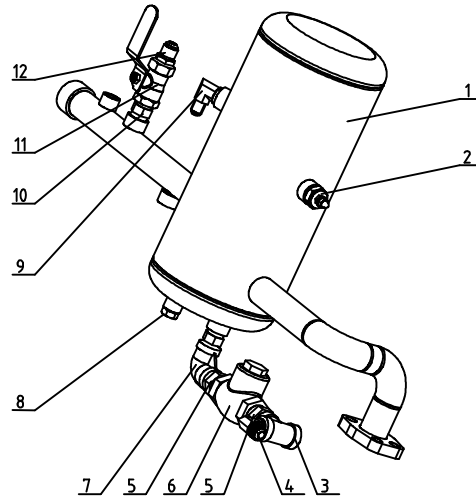
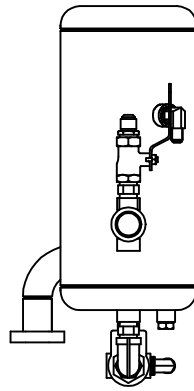
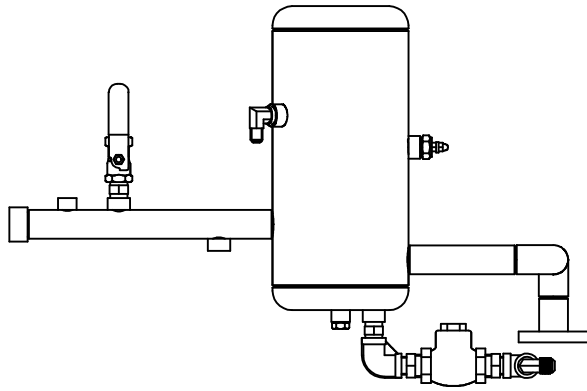
**SHINI** 倍奇塑料机械股份有限公司  
Shini Plastics Technology, Inc.





19	BE90341500050	Thermocouple	SUS304	1	1.5M
18	YW040104.004.00	Tonflon pipe male thread elbow	H62	1	1/4"Hx1/4"PT L
17	YE32203000900	Solenoid valve		1	3/8" AirTAC 24VAC
16	S-116	Tonflon pipe male thread elbow	H62	1	3/8"PTx3/8"H
15	YW52030800000	3/8" stainless steel 3-way	SUS304	1	
14	S-07	Copper connector	H58	1	3/8"PTx3/8"PT
13	YW04030800100	Connector	H62	1	3/8"PT(L)
12	STM-1220PW-F-ALL	Pipe heater welding diagram		1	Welding part borrow
11	YW64000600300	Hex. nut M6	Q235A	1	GB/T6170
10	S-190	Pipe heater cover	SPCC1.0	1	
9	YW61103000100	Inner hex. column head screw M10x30	12.9	4	GB/T70.1
8	YW65010000000	Standard spring washer 10	65Mn	4	GB/T93
7	YW66102000100	Flat washer A grade 10	Q235A	4	GB/T97.1 (11x20x2)
6	YR20121200000	Flexible graphite gasket	ISO-68	1	120x120x2.0
5	BH120104.004.10	Tonflon pipe connector	H58	1	1/4"Hx1/4"PT
4	STM-1220PW-D-B-01	Heating tank		1	Welding part
3	YW53001200100	Stainless steel wire elbow	SUS304	1	1/2"PT
2	YW04010200200	Tonflon pipe connector	H58	1	1/2"PTx3/8"H L type
1	YW0514.1200000	Safety valve	SUS304	1	1/2" male thread withstand pressure
No.	Material number	Name	Mat.	Num.	Remarks

					制图	版号	标题	图号	比例	数量
					设计	核准	加热桶组件	STM-1220PW-D-B-03	1:1	1
					校对				表面要求	材质
					审核	日期	SHINI 信易电热机械股份有限公司 Shini Plasstics Technology, Inc.		物料号	
标记	更改前	更改后	更改人	日期						

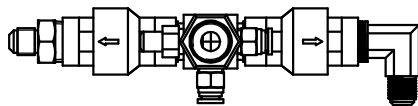
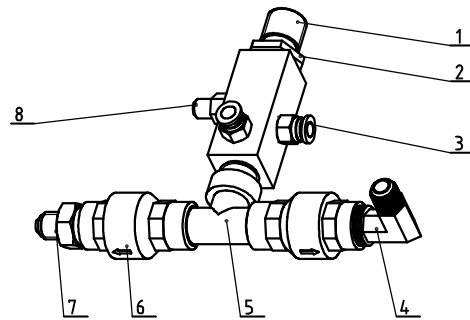
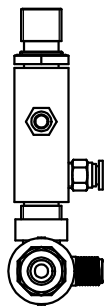
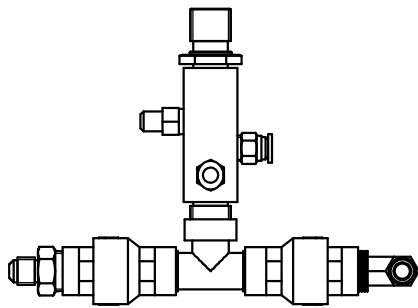


12	S-116	Tonflon pipe male thread elbow	H62	1	3/8"PT*3/8"H
11	YW50382300500	Ball valve 3/8"	SUS304	1	One piece withstand pressure 2.3MPa@01T
10	S-07	Copper connector	H58	2	3/8"PT*3/8"PT
9	YW04030800500	Tonflon pipe connector	H58	1	3/8"PT*1/4"H L
8	S-11	Hopper bottom screw	H58	1	1/4"PT
7	YW53308000000	3/8" stainless steel elbow	SUS304	1	
6	YW59010200300	Rotary return valve R <sub>2</sub> "	Cu	1	KITZ
5	S-92	Copper connector	H58	2	3/8"PT*1/2"PT
4	YW04030800300	Tonflon pipe connector	H58	1	3/8"PT*3/8"H L
3	YW52030800000	3/8" stainless steel 3-way	SUS304	1	
2	YW09003800500	Single water level probe	Q235A	1	3" without lead wire withstand pressure 1.5Mpa
1	STM-1220PW-D-B-02	Return water pipe		1	welding parts
No.	Material number	Name	Mat.	Num.	Remarks

标记	更改前	更改后	更改人	日期	审核	日期

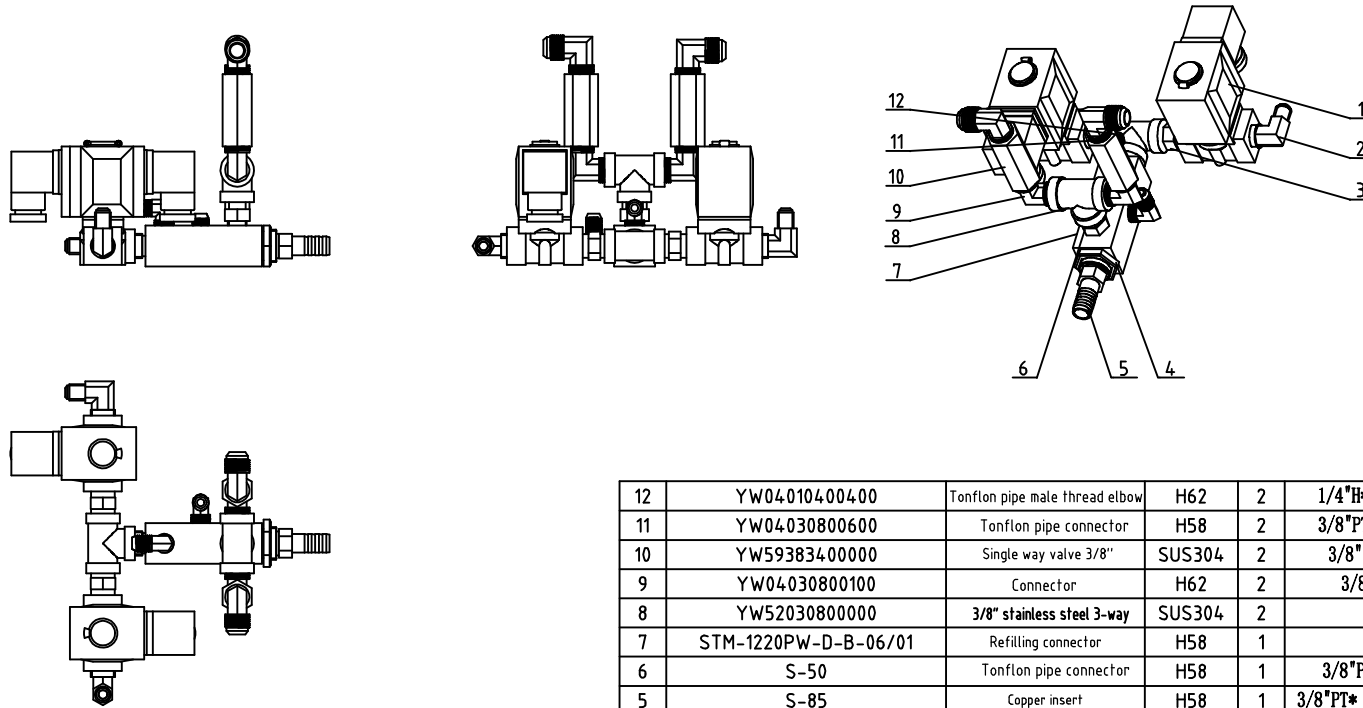
标题	STM-1220PW-D	图号	STM-1220PW-D-B-04	比例	数量
	回水管组件				材质
				表面要求	
				物料号	





8	BH120104.004.10	Tonflon pipe connector	H58	1	1/4"H×1/4"PT
7	S-91	Tonflon pipe male thread connector	H62	1	3/8"H×1/2"PT
6	YW59001201300	Single way valve 1/2" VITON	Cu	2	RB
5	YW59123000100	1/2" male thread stainless steel 3-way	SUS304	1	
4	YW04.010200200	Tonflon pipe connector	H58	1	1/2"PT×3/8"H L type
3	YW800814.000000	Screw direct connector 1/4-ø8	SUS304	2	AirTAC
2	S-136	Common copper nut	H58	1	thread M22×1.5
1	STM-607PW-D-01	Refilling connector	H58	1	
No.	Material number	Name	Mat.	Num.	Remarks

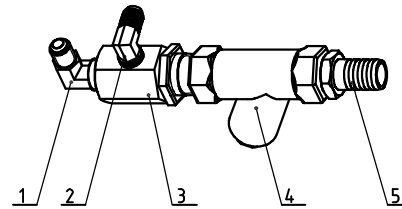
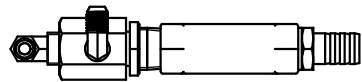
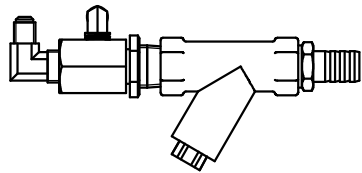
					制图	版号	标题 STM-1220PW-D	图号 STM-1220PW-D-B-05	比例	数量
					设计	核准	补水接头组件			材质
					校对		信易電熱機械股份有限公司 Shini Plastics Technologies, Inc.		表面要求	
标记	更改前	更改后	更改人	日期	审核	日期			物料号	



12	YW040104004.00	Tonflon pipe male thread elbow	H62	2	1/4"H*1/4"PT L
11	YW04030800600	Tonflon pipe connector	H58	2	3/8"PT*3/8"H L
10	YW593834.00000	Single way valve 3/8"	SUS304	2	3/8" (SUS304)
9	YW04030800100	Connector	H62	2	3/8"PT(L)
8	YW52030800000	3/8" stainless steel 3-way	SUS304	2	
7	STM-1220PW-D-B-06/01	Refilling connector	H58	1	
6	S-50	Tonflon pipe connector	H58	1	3/8"PT*1/4"PT
5	S-85	Copper insert	H58	1	3/8"PT* diameter 13
4	S-136	Common copper nut	H58	1	thread M22*1.5
3	S-07	Tonflon pipe connector	H58	2	3/8"PT*3/8"PT
2	YW04030800500	Tonflon pipe connector	H58	2	3/8"PT*1/4"H L
1	YE300038024.00	Solenoid valve ZLH050-10E		2	3/8" '24V AirTAC
No.	Material number	Name	Mat.	Num.	Remarks

					制图		版号	标题	图号	比例		数量
					设计		核准	STM-607PW-D/1220PW-D	STM-1220PW-D-B-06	1:1	1	材质
					校对			排水接头组件				
					审核					表面要求		
标记	更改前	更改后	更改人	日期						物料号		

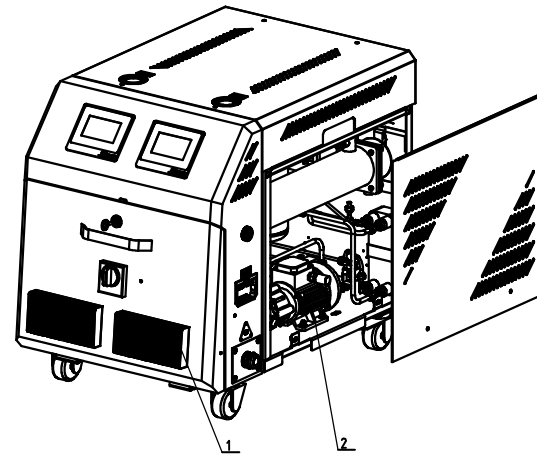
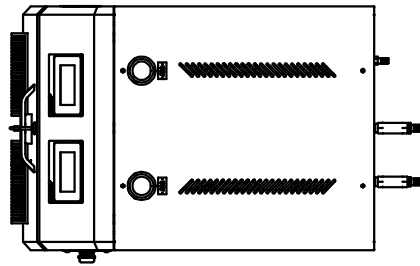
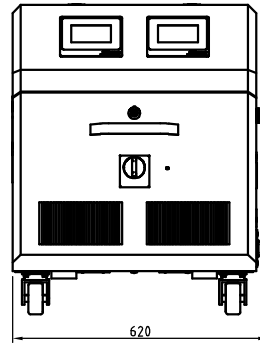
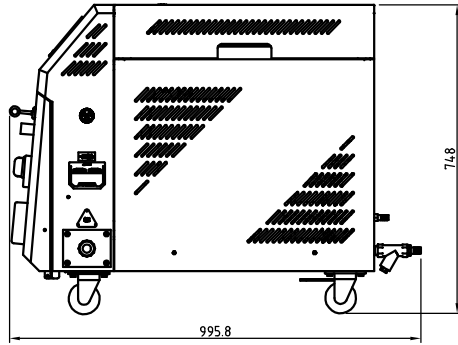
**SHINI** 信易电热机械股份有限公司  
Shini Plastics Technologies, Inc.



5	S-133	Copper insert	H58	1	M16×1/2"PT
4	YW57010200000	Y type strainer	H62	1	1/2"PT 30-35 mesh
3	S-142	The 4th set of the copper connector		1	
2	YW04010400400	Tonflon pipe male thread elbow	H62	1	1/4"H×1/4"PT L
1	YW04030800500	Tonflon pipe connector	H58	1	3/8"PT×1/4"H L
No.	Material number	Name	Mat.	Num.	Remarks

					制图		版号		标题	STM-1220PW-D	图号	STM-1220PW-D-B-35	比例		数量	
					设计		核		冷却水进接头组件					材质		
					校对		准		信易電熱機械股份有限公司 Shini Plastics Technologies, Inc.		表面要求					
标记	更改前	更改后	更改人	日期	审核		日期						物料号			

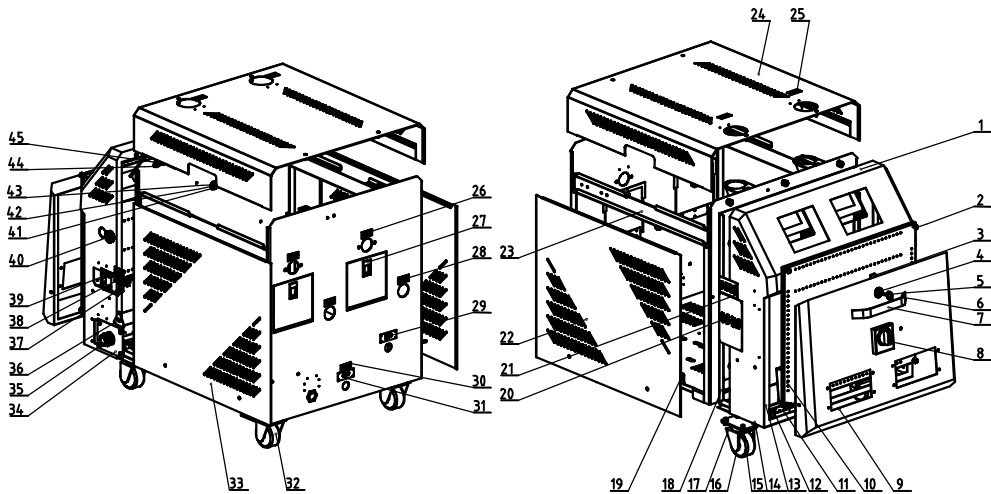
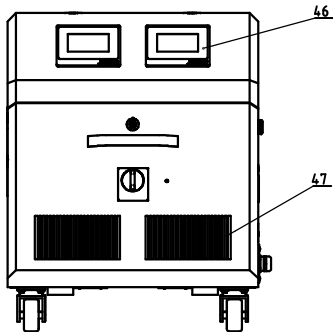
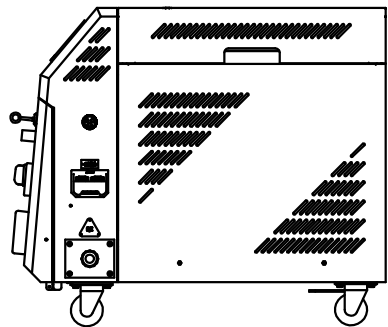
Cooling Method	Heating Tank Qty.	Pump Max. Pressure (bar)	Max. pump Flow (l/min) (50/60Hz)	Pump Power(kW) (50/60Hz)	Heater Qty	Weight (kg)	Ver.
Indirect Cooling	2	5.8	50/60	1.05~2/1.2~2	12×2	190	D
		Max. Temp.	Est. Size (mm)(H×W×D)	Inlet /Outlet Size (inch)	Hot water tank capacity (L)	Heating tank capacity (L)	
		180°C	750×620×990	3/2	1.4×2	3.2×2	



2	STM-1220PW-D-A-ALL	internal structure		1	
1	STM-1220PW-D-A-ALL	external sheet metal		1	
No.	Material number	Name	Mat.	Num.	Remarks

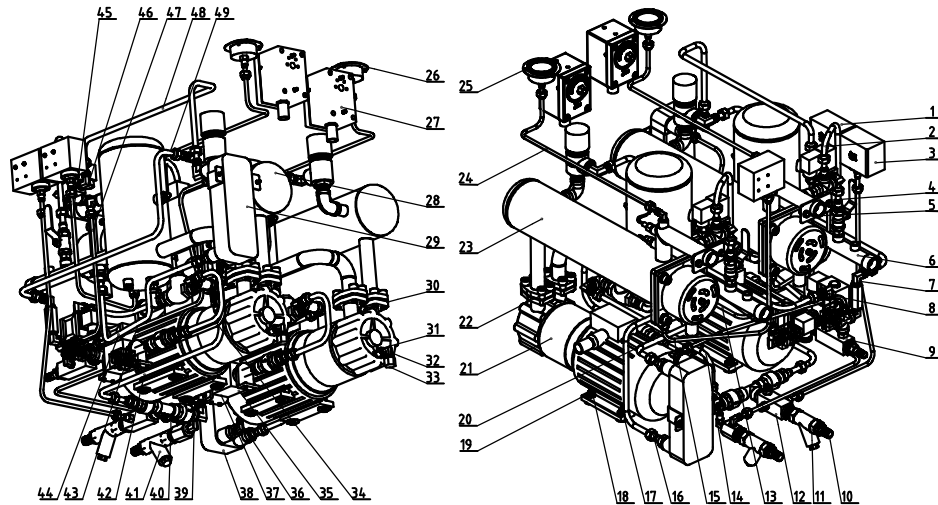
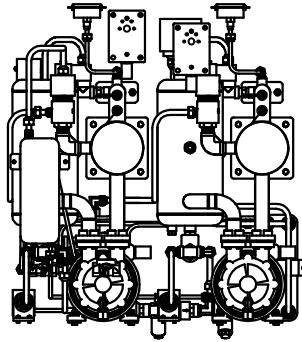
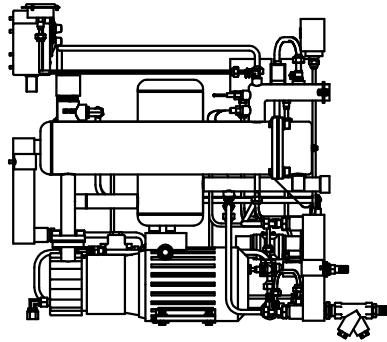
					制图	版号
					设计	核
					校对	准
标记	更改前	更改后	更改人	日期	审核	日期

标题	STM-1220PW-D	图号	STM-1220PW-D-ALL	比例	数量
高温型双供水式模温机				1:1	1
				表面要求	材质
SHINI 信易智能机械股份有限公司 Shini Plastic Technologies, Inc.				物料号	



47	YW90120700000	Alu. cooler	6061	2	
46	YE81850100100	STM connector		2	
45	YW66081600000	Flat washer A grade (8.4×16×1.6)	Q235A	3	GB/T97.1
44	YW69081500000	Butterfly bolt M8×15	Q235A	3	GB/T 3098
43	YW65008000100	Standard spring washer 8	65Mn	9	GB/T93
42	YW66082200100	Large washer C grade	Q235A	6	GB/T968(8.4×24×2)
41	YW61082001200	Inner hex. column head screw M8×20	12.9	6	GB/T70.1
40	YE84003500600	Buzzer PK-35A 24V	PVC	1	
39	YP30048500000	Alu. plate table	2024	1	485 comm. connector
38	YE90048501200	RS485 comm. interface plate		1	
37	YR40048500000	Shell RS485		1	
36	YP31051650000	Power Alu. plate table	2024	1	Power triangle 3-phase 400V
35	YE67321500100	Copper nickel plated cable connector	H62	1	
34	SG-S-01	Wire clamp fixed plate	SPCC2.0	1	
33	STM-1220PW-D-A-06	Right side plate		1	Welding parts
32	YW03000300000	3" without brake castor	Q235A	2	
31	YP30431000000	Alu. plate table	2024	1	water inlet
30	YP3109104.0000	Alu. plate table	2024	1	Clean the filter regularly
29	YP30430000000	Alu. plate table	2024	1	water outlet
28	YP30422000000	Alu. plate table	2024	2	from mould
27	YR4052304.0000	Plastic stretch buckle	PVC	2	52×30 has mould
26	YP30423000000	Alu. plate table	2024	2	to mould
25	YP30425000000	Alu. plate table	2024	2	Pressure gauge
24	STM-1220PW-D-A-08	Cover plate		1	Welding parts
23	STM-1220PW-D-A-01	Rack		1	Welding parts
22	STM-1220PW-D-A-07	Left side plate		1	Welding parts
21	YP30437000000	Alu. plate table	2024	1	Shin nameplate
20	YP31115800600	Alu. plate table	2024	1	STM repair & maintenance
19	YW01051000000	Pin spring	65Mn	8	for STM new model
18	STM-1220PW-D-A-02	Control box rear plate		1	Welding parts
17	YW03000300200	3" without brake castor	Q235A	2	
16	YW65060000000	Standard spring washer 6	65Mn	16	GB/T93
15	YW66061800000	Large washer A grade	Q235A	16	GB/T96.1(6×18×1.5)
14	YW60061500100	Hex. bolt M6×16	12.9	16	GB/T5783
13	YW67040600600	Cross recessed pan head tapping lock screw M4×6	Q235A	6	GB6560
12	YW62051000100	Large cross recessed flat head screw M5×10	Q235A	12	JIS1111
11	YW06219100000	Large hinge	2024	2	Shengju CL219-1
10	STM-1220PW-D-A-04	Control bottom plate	SECC15	1	
9	STM-1220PW-D-A-05	Door plank		1	Welding parts
8	YE10021160000	Main power switch	PVC	1	TO-2-1/E/A/SVB/16A Mu Le
7	YW20660900100	Alu. door plank handle	2024	1	6609(Ya Xuan)
6	YW63040600000	Cross recessed pan head screw M4×6	Q235A	2	GB/T-823
5	YW00040600200	Long door lock key	SUS201	1	CF-406-DH
4	YW00000000100	Long door lock	PVC	1	
3	YW00040600000	Long door lock fender	SUS201	1	MF-406-DH
2	YW63062000000	Cross recessed pan head screw M6×20	Q235A	4	GB/T-818
1	STM-1220PW-D-A-03	Control box		1	Welding parts
No.	Material number	Name	Mat.	Num.	

					制图	版号	标题	STM-1220PW-D	图号	STM-1220PW-D-A-ALL	比例	数量
					设计	核	外壳钣金				1:1	1
					校对	准					表面要求	材质
标记	更改前	更改后	更改人	日期	审核	日期	信易塑料机械股份有限公司 Shini Plastics Technology, Inc.				表面要求	物料号

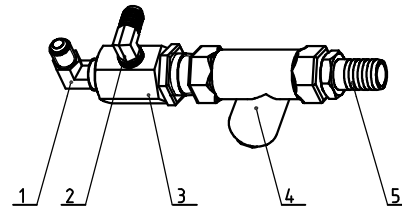
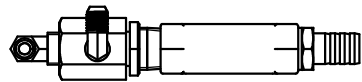
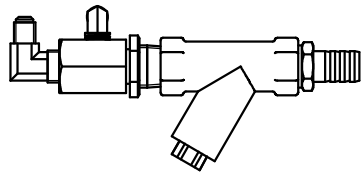


No.	Material number	Name	Mat.	Num.	Remarks
49	STM-1220PW-D-B-14	Left exhaust air pipe		1	

48	STM-1220PW-D-B-31	Left plate exchanger hot water inlet pipe		1	
47	STM-1220PW-D-B-11	Left pressure release pipe		1	
46	YW04030800300	Copper pipe connector	H58	5	3/8"PT×3/8"H L
45	STM-1220PW-D-B-18	Left high pressure pipe		1	
44	STM-1220PW-D-B-32	Left plate exchanger hot water outlet pipe		1	
43	STM-1220PW-D-B-15	Left cooling water outlet pipe		1	
42	STM-1220PW-D-B-13	Left refilling pipe		1	
41	STM-1220PW-D-B-35	Cooling water inlet connector assembly		1	Welding parts
40	STM-1220PW-D-B-17	Left cooling water inlet pipe		1	
39	YW62061000000	Large cross recessed flat head screw M6-W	SUS304	2	JIS1111
38	STM-1220PW-D-B-29	Right plate exchanger		1	
37	STM-607PW-F-ALL	Plunger pump refilling assembly		2	
36	STM-1220PW-D-B-24	Right cooling water inlet pipe		1	
35	STM-607PW-B-20	Plate exchange fixed plate	SPCC2.0	2	
34	STM-1220PW-D-B-12	Plunger pump refilling pipe		2	
33	S-171	Teflon pipe plug	H58	2	3/8"H plug
32	YW04030800400	Copper pipe connector	H58	2	1/4"PT×3/8"H L
31	STM-907HT-B-17	Oil discharge long screw	H58	2	borrow
30	YR10110000000	MP-100 graphite gasket	ISO-68	4	has mould
29	STM-1220PW-D-B-30	Left plate exchanger		1	
28	STM-1220PW-D-B-22	Right exhaust pipe		1	
27	BH90115000050	High temp. tester		2	EGO
26	YW85015000000	Pressure gauge		2	0-15MPa range
25	YW63030600000	Cross recessed pan head screw M3-6	Q235A	6	GB/T-823
24	STM-1220PW-D-B-20	Pressure gauge pipe		2	
23	STM-1220PW-D-B-03	Heating tank assembly		2	assembly
22	YW61102500000	Inner hex. column head screw M10×25		12.9	16 GB/T70.1
21	MP-100	Magnetic driven pump MP-100	QT400	2	1KW 50L/Min 58M Anbo
20	STM-1220PW-D-B-33	Right plate exchanger hot water inlet pipe		1	
19	YW65060000000	Standard spring washer 6	65Mn	12	GB/T93
18	YW66061800000	Large washer A grade	Q235A	8	GB/T96.1(6×18×1.5)
17	YW60062500000	Hex. bolt M6×25		4.8	8 GB/T5781
16	STM-1220PW-D-B-34	Right plate exchanger hot water outlet pipe		1	
15	STM-1220PW-D-B-26	Right high pressure pipe		1	
14	STM-1220PW-D-B-23	Right water refilling pipe		1	
13	STM-1220PW-D-B-21	Right pressure release pipe		1	
12	STM-1220PW-D-B-05	Water refilling connector assembly		1	
11	YW57010200000	Y-type water strainer	H62	1	1/2" PT 30-35 mesh
10	S-133	Copper insert	H58	1	M16×1/2"PT
9	STM-1220PW-D-B-06	Drainage connector assembly		1	
8	STM-1220PW-D-B-25	Right cooling water outlet pipe		1	
7	STM-1220PW-D-B-10	Low pressure pipe		1	
6	STM-1220PW-D-B-04	Return water pipe assembly		2	
5	YW60061500100	Hex. bolt M6×16		12.9	4 GB/T5783
4	YW66061300000	Flat washer A grade 6	Q235A	8	
3	YE90000800000	Low pressure switch controller	PVC	1	0-8KG/auto
2	STM-1220PW-D-B-16	Hot water bypass pipe		2	
1	YE90002000000	Pressure switch controller HLP52NE	PVC	2	5-20KG auto reply

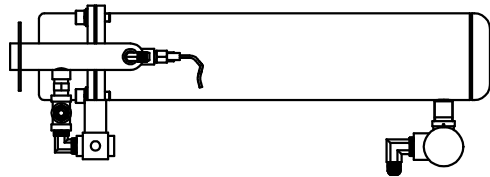
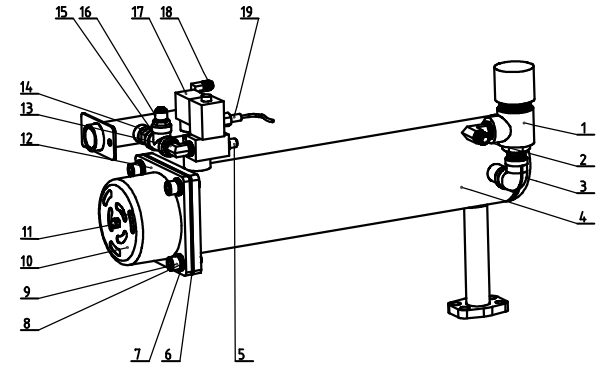
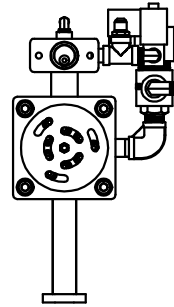
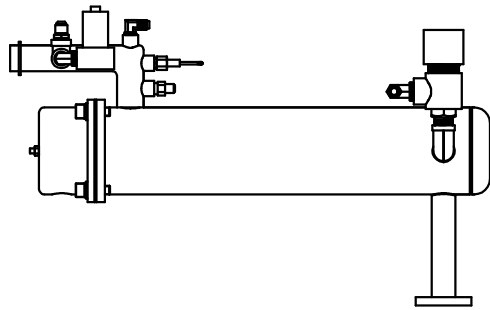
No.	Material number	Name	Mat.	Num.	Remarks
					制图
					版号
					设计
					核
					校
					准
					标记
					更改前
					更改后
					更改人
					日期
					审核
					日期

标题		图号	比例	数量
STM-1220PW-D		STM-1220PW-D-B-ALL		
内部结构				
SHINI 信义塑料机械股份有限公司 Shini Plastic Technology, Inc.				
表面要求				
物料号				



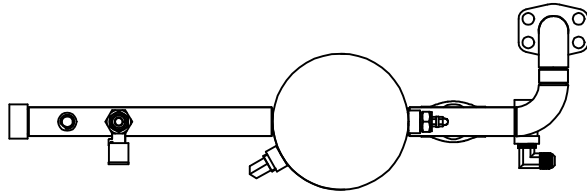
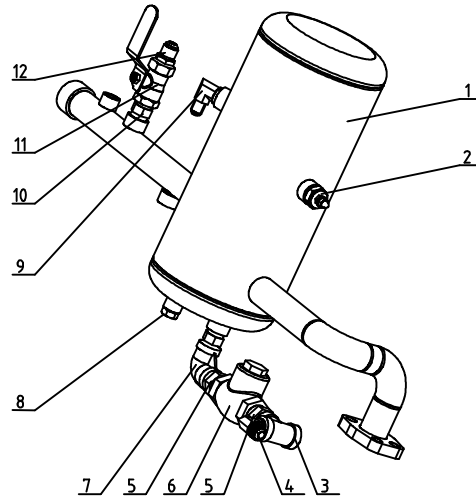
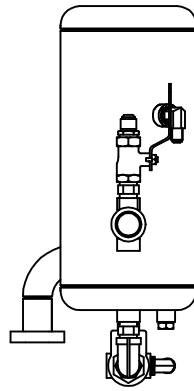
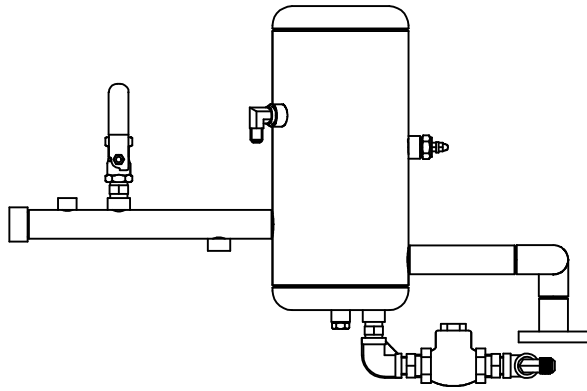
5	S-133	Copper insert	H58	1	M16×1/2"PT
4	YW57010200000	Y type strainer	H62	1	1/2"PT 30-35 mesh
3	S-142	The 4th set of the copper connector		1	
2	YW04010400400	Tonflon pipe male thread elbow	H62	1	1/4"H×1/4"PT L
1	YW04030800500	Tonflon pipe connector	H58	1	3/8"PT×1/4"H L
No.	Material number	Name	Mat.	Num.	Remarks

					制图		版号		标题	STM-1220PW-D	图号	STM-1220PW-D-B-35	比例		数量	
					设计		核		冷却水进接头组件					材质		
					校对		准		信易電熱機械股份有限公司 Shini Plastics Technologies, Inc.		表面要求					
标记	更改前	更改后	更改人	日期	审核		日期						物料号			



19	BE90341500050	Thermocouple	SUS304	1	1.5M
18	YW040104.004.00	Tonflon pipe male thread elbow	H62	1	1/4"Hx1/4"PT L
17	YE32203000900	Solenoid valve		1	3/8" AirTAC 24VAC
16	S-116	Tonflon pipe male thread elbow	H62	1	3/8"PTx3/8"H
15	YW52030800000	3/8" stainless steel 3-way	SUS304	1	
14	S-07	Copper connector	H58	1	3/8"PTx3/8"PT
13	YW04030800100	Connector	H62	1	3/8"PT(L)
12	STM-1220PW-F-ALL	Pipe heater welding diagram		1	Welding part borrow
11	YW64000600300	Hex. nut M6	Q235A	1	GB/T6170
10	S-190	Pipe heater cover	SPCC1.0	1	
9	YW61103000100	Inner hex. column head screw M10x30	12.9	4	GB/T70.1
8	YW65010000000	Standard spring washer 10	65Mn	4	GB/T93
7	YW66102000100	Flat washer A grade 10	Q235A	4	GB/T97.1 (11x20x2)
6	YR20121200000	Flexible graphite gasket	ISO-68	1	120x120x2.0
5	BH120104.004.10	Tonflon pipe connector	H58	1	1/4"Hx1/4"PT
4	STM-1220PW-D-B-01	Heating tank		1	Welding part
3	YW53001200100	Stainless steel wire elbow	SUS304	1	1/2"PT
2	YW04010200200	Tonflon pipe connector	H58	1	1/2"PTx3/8"H L type
1	YW0514.1200000	Safety valve	SUS304	1	1/2" male thread withstand pressure
No.	Material number	Name	Mat.	Num.	Remarks

					制图	版号	标题	图号	比例	数量
					设计	核准	加热桶组件	STM-1220PW-D-B-03	1:1	1
					校对				表面要求	材质
标记	更改前	更改后	更改人	日期	审核	日期	信易电热机械股份有限公司 Shini Electric Technology, Inc.		物料号	

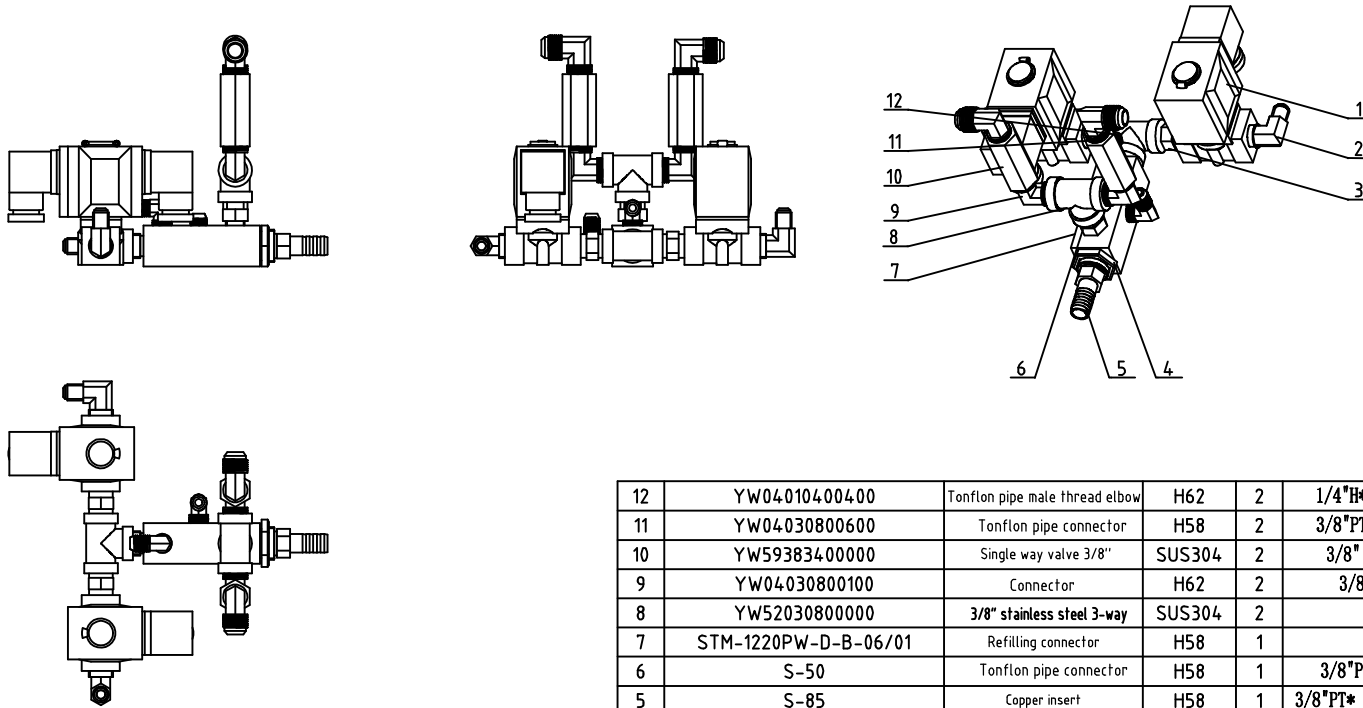


12	S-116	Tonflon pipe male thread elbow	H62	1	3/8"PT*3/8"H
11	YW50382300500	Ball valve 3/8"	SUS304	1	One piece withstand pressure 2.3MPa@01T
10	S-07	Copper connector	H58	2	3/8"PT*3/8"PT
9	YW04030800500	Tonflon pipe connector	H58	1	3/8"PT*1/4"H L
8	S-11	Hopper bottom screw	H58	1	1/4"PT
7	YW53308000000	3/8" stainless steel elbow	SUS304	1	
6	YW59010200300	Rotary return valve R3/2"	Cu	1	KITZ
5	S-92	Copper connector	H58	2	3/8"PT*1/2"PT
4	YW04030800300	Tonflon pipe connector	H58	1	3/8"PT*3/8"H L
3	YW52030800000	3/8" stainless steel 3-way	SUS304	1	
2	YW09003800500	Single water level probe	Q235A	1	3" without lead wire withstand pressure 1.5Mpa
1	STM-1220PW-D-B-02	Return water pipe		1	welding parts
No.	Material number	Name	Mat.	Num.	Remarks

标记	更改前	更改后	更改人	日期	审核	日期

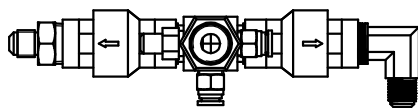
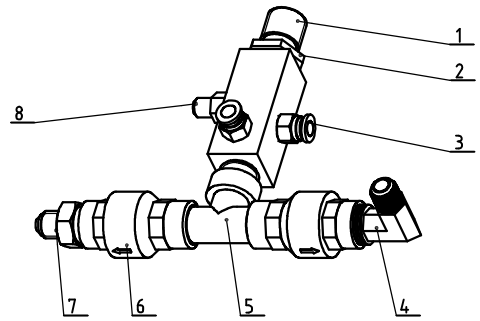
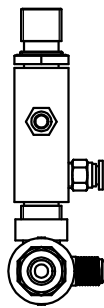
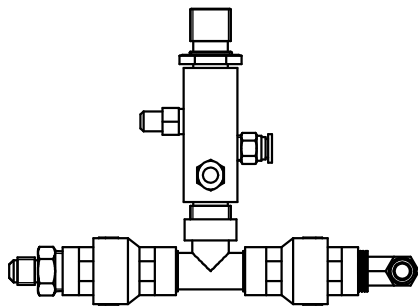
标题	STM-1220PW-D	图号	STM-1220PW-D-B-04	比例	数量
	回水管组件				材质
				表面要求	
				物料号	

**SHINI** 信易電熱機械股份有限公司  
Shini Plastics Technologies, Inc.



12	YW040104004.00	Tonflon pipe male thread elbow	H62	2	1/4"H*1/4"PT L
11	YW04030800600	Tonflon pipe connector	H58	2	3/8"PT*3/8"H L
10	YW593834.00000	Single way valve 3/8"	SUS304	2	3/8"(SUS304)
9	YW04030800100	Connector	H62	2	3/8"PT(L)
8	YW52030800000	3/8" stainless steel 3-way	SUS304	2	
7	STM-1220PW-D-B-06/01	Refilling connector	H58	1	
6	S-50	Tonflon pipe connector	H58	1	3/8"PT*1/4"PT
5	S-85	Copper insert	H58	1	3/8"PT* diameter 13
4	S-136	Common copper nut	H58	1	thread M22*1.5
3	S-07	Tonflon pipe connector	H58	2	3/8"PT*3/8"PT
2	YW04030800500	Tonflon pipe connector	H58	2	3/8"PT*1/4"H L
1	YE300038024.00	Solenoid valve ZLH050-10E		2	3/8" '24V AirTAC
No.	Material number	Name	Mat.	Num.	Remarks

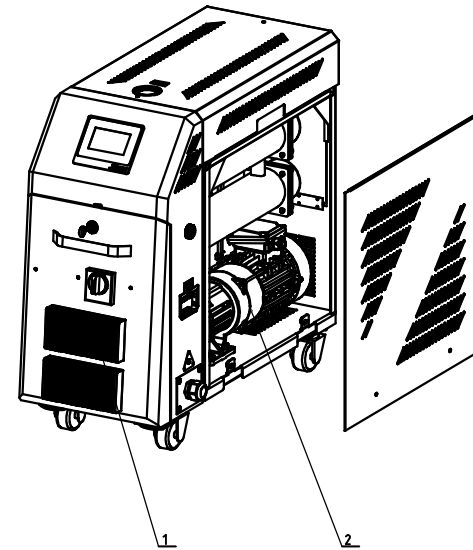
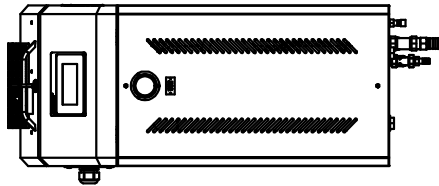
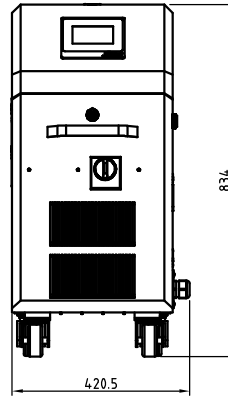
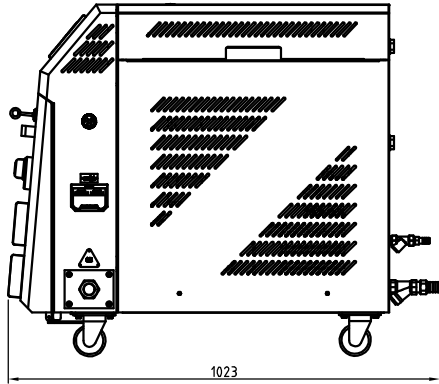
					制图		版号	标题	图号	比例		数量
					设计		核准	STM-607PW-D/1220PW-D	STM-1220PW-D-B-06			材质
					校对			排水接头组件				
标记	更改前	更改后	更改人	日期	审核		日期	<b>信易电热机械股份有限公司</b> <b>Shini Plastics Technologies, Inc.</b>		表面要求		
										物料号		



8	BH120104.004.10	Tonflon pipe connector	H58	1	1/4"H×1/4"PT
7	S-91	Tonflon pipe male thread connector	H62	1	3/8"H×1/2"PT
6	YW59001201300	Single way valve 1/2" VITON	Cu	2	RB
5	YW59123000100	1/2" male thread stainless steel 3-way	SUS304	1	
4	YW04.010200200	Tonflon pipe connector	H58	1	1/2"PT×3/8"H L type
3	YW800814.000000	Screw direct connector 1/4-ø8	SUS304	2	AirTAC
2	S-136	Common copper nut	H58	1	thread M22×1.5
1	STM-607PW-D-01	Refilling connector	H58	1	
No.	Material number	Name	Mat.	Num.	Remarks

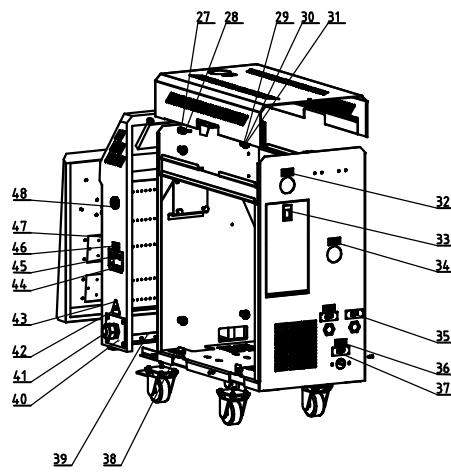
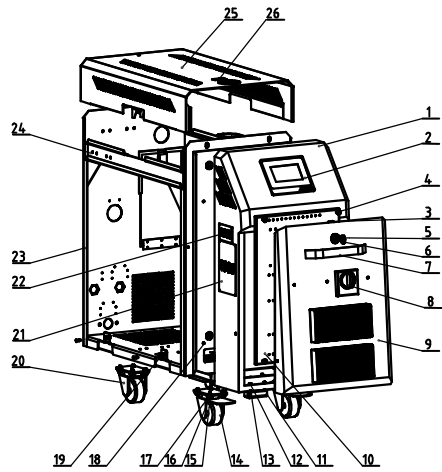
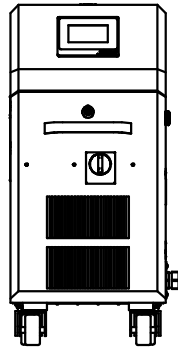
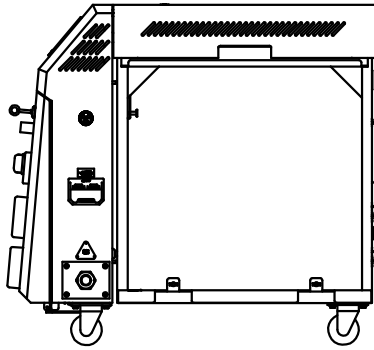
					制图	版号	标题	图号	比例	数量
					设计	核准	STM-1220PW-D	STM-1220PW-D-B-05		材质
					校对		信易電熱機械股份有限公司 Shini Plastics Technologies, Inc.		表面要求	
标记	更改前	更改后	更改人	日期	审核	日期			物料号	

Cooling Method	Heating Tank Qty.	Pump Max. Pressure (bar)	Max. pump Flow (L/min) (50/60Hz)	Pump Power(kW) (50/60Hz)	Heater kW	Weight kW	Ver.
Indirect Cooling	2	8	100/120	2.9/3.4	24	140	E
	Max. Temp.	Ext. Size (mm)(H×W×D)	Inlet /Outlet Size (inch)	Sub water tank capacity (L)	Heating tank capacity (L)		
	180°C	950×450×1050	1/1	1.8	6.2		



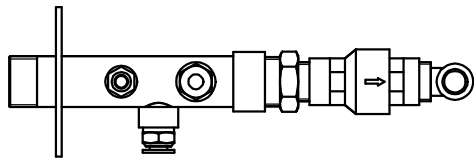
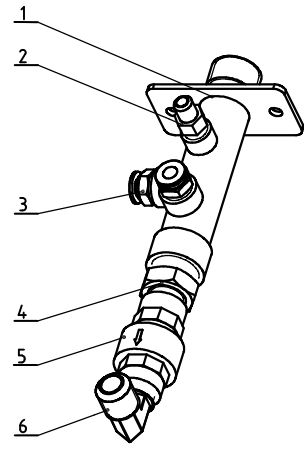
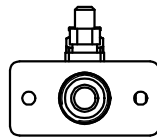
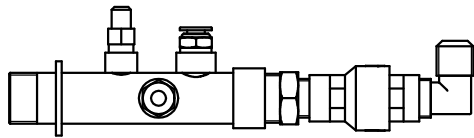
2	STM-2440PW-B-ALL	Internal structure		1	Assembly parts
1	STM-2440PW-A-ALL	Housing metal sheet		1	Assembly
No.	Material number	Name	Mat.	Num.	Remark

					制图	版号	标题	图号	比例	数量
					设计	核准	STM-2440PW	STM-2440PW-ALL	1:1	1
					校对		高温型水式模温机		表面要求	材质
					审核	日期	<b>SHINI</b> 信耐电热机械股份有限公司 Shinai Plastics Technologies, Inc.		物料号	
标记	更改前	更改后	更改人	日期	审核	日期				




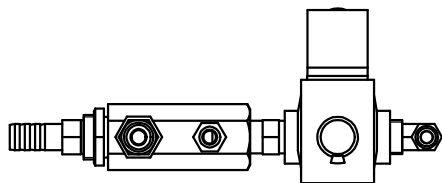
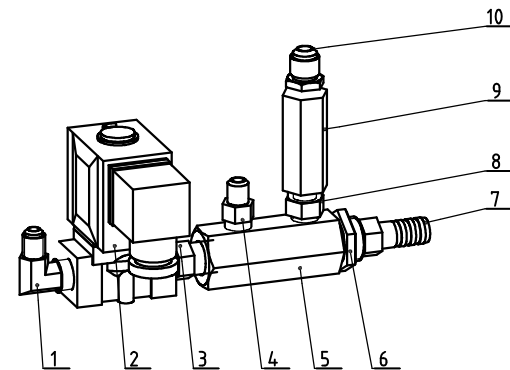
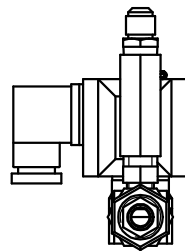
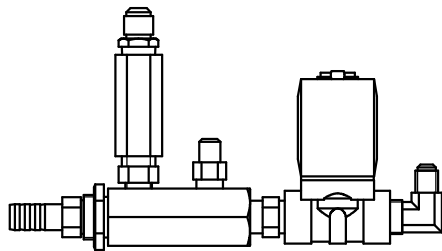
48	YE84.003500200	Buzzer PK-3A 220V	PVC	1	
47	YW90120700000	Alu. cooler	6061	2	
46	YP3004.8500000	Alu. plate table	2024	1	485 comm. connector
45	YE9004.8501200	RS485 comm. interface plate		1	
44	YR4004.8500000	Shell RS485		1	
43	YP31051650000	Power Alu. plate table	2024	1	Power triangle 3-phase 400V
42	YW69020500000	Rivet 2x5	2024	31	GB/T 827
41	YE67002900000	Cable lock head	PVC	1	
40	SG-S-01	Wire clamp fixed plate	SPCC2.0	1	
39	STM-2440PW-A-06	Right side plate		1	Welding parts
38	YP304.29000000	Alu. plate table	2024	1	Drainage port
37	YP304.31000000	Alu. plate table	2024	2	Water inlet
36	YP3109104.0000	Alu. plate table	2024	2	Clean the filter regularly
35	YP304.30000000	Alu. plate table	2024	1	water outlet
34	YP304.22000000	Alu. plate table	2024	1	from mould
33	YR4052304.0000	Plastic stretch buckle	PVC	1	52x30has mould
32	YP304.23000000	Alu. plate table	2024	1	to mould
31	YW65008000100	Standard spring washer 8	65Mn	6	GB/T93
30	YW66082200100	Large washer C grade	Q235A	4	GB/T96818.4x24x21
29	YW61082001200	Inner hex. column head screw M8x20	12.9	4	GB/T770.1
28	YW69081500000	Butterfly bolt M8x15	Q235A	2	GB/T 3098
27	YW66081600000	Flat washer A grade (8.6x16x1.6)	Q235A	2	GB/T97.1
26	YP304.25000000	Alu. plate table	2024	1	Pressure gauge
25	STM-2440PW-A-08	Cover plate		1	Welding parts
24	STM-2440PW-A-01	Rack		1	Welding parts
23	STM-2440PW-A-07	Left side plate		1	Welding parts
22	YP304.37000000	Alu. plate table	2024	1	Shin nameplate
21	YP31115800600	Alu. plate table	2024	1	STM repair & maintenance
20	YW03000300200	3" without brake castor	Q235A	2	
19	YW01051000000	Pin spring	65Mn	6	for STM new model
18	STM-2440PW-A-02	Control box rear plate		1	Welding parts
17	YW66061800000	Large washer A grade	Q235A	16	GB/T96.11(6x18x1.5)
16	YW60061500100	Hex. bolt M6x16	12.9	16	GB/T15783
15	YW65006000100	Standard spring washer 6	65Mn	16	GB/T93
14	YW03000300000	3" without brake castor	Q235A	2	
13	YW62051000100	Large cross recessed flat head screw M5x10	Q235A	12	JIS1111
12	YW6704.0600600	Cross recessed pan head tapping lock screw M4x6	Q235A	6	GB6560
11	YW06219100000	Large hinge	2024	2	Shengjiu CL219-1
10	STM-2440PW-A-04	Control bottom plate	Elec. plate	1	
9	STM-2440PW-A-05	Door plank		1	Welding parts
8	YE10021160000	Main power switch	PVC	1	TO-2-1/EA/SVB/16A Mu Le
7	YW20660900100	Alu. door plank handle	2024	1	6609(Ya Xuan)
6	YW0004.0600200	Long door lock key	SUS201	1	CF-406-DH
5	YW00000000100	Long door lock	PVC	1	
4	YW63062000000	Cross recessed pan head screw M6x20	Q235A	4	GB/T-818
3	YW0004.0600000	Long door lock fender	SUS201	1	MF-406-DH
2	YE81850100100	STM connector		1	
1	STM-2440PW-A-03	Control box		1	Welding parts
No.	Material number	Name	Mat.	Num.	Remark

标记	更改前	更改后	更改人	日期	制图	设计	校对	审核	版号	核准	日期	标题	图号	比例	数量	材质	表面要求	物料号
												STM-2440PW	STM-2440PW-A-ALL					
												外壳钣金						
												<b>SHINI</b>	伟易电声技术股份有限公司 Shini Plastics Technology Co., Inc.					



6	YW04.121200000	Tonflon pipe male thread elbow	H62	1	1/2PT×1/2HL type
5	YW59001201300	Single way valve 1/2" VITON	Cu	1	RB
4	S-205	Copper connector	H58	1	1/2"PT×3/4"PT
3	YW80083800100	Air pipe quick connector	PVC	2	APC8-3/8(Arctac)
2	BH120104.004.10	Copper pipe connector	H58	1	1/4"H×1/4"PT
1	STM-2440PW-B-03/01	Pipe refilling connector		1	welding parts
No.	Material number	Name	Mat.	Num.	Remarks

					制图	版号	标题	STM-2440PW	图号	STM-2440PW-B-03	比例	数量
					设计	核准	补水接头组件				表面要求	材质
					校对		 信易電熱機械股份有限公司 Shini Plastics Technologies, Inc.				物料号	
标记	更改前	更改后	更改人	日期	审核	日期						

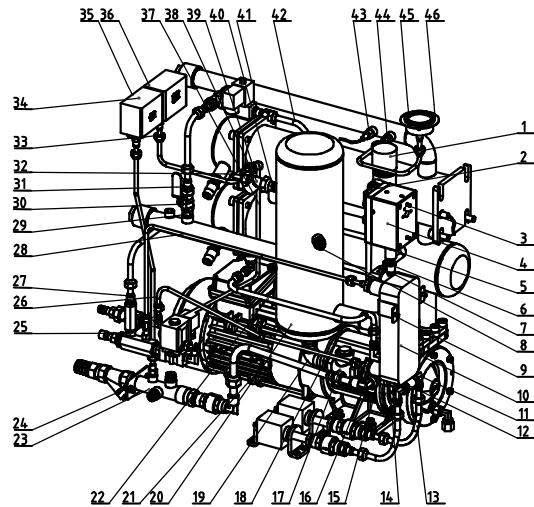
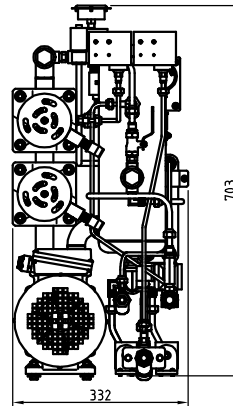
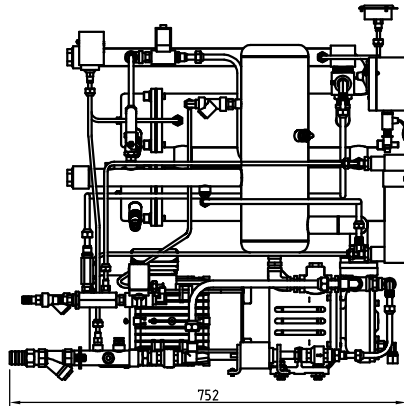


10	S-116	Tonflon pipe male thread elbow	H62	1	3/8"PT×3/8"H
9	YW593834.00000	Single way valve 3/8"	SUS304	1	3/8"(SUS304)
8	S-50	Copper connector	H58	1	3/8"PT×1/4"PT
7	S-85	Copper insert	H58	1	3/8"PT× diameter 13
6	S-136	Common copper nut	H58	1	thread M22×1.5
5	S-138	The 2th set of copper connector	H58	1	
4	BH120104.00410	Tonflon pipe connector	H58	1	1/4"H×1/4"PT
3	S-07	Copper connector	H58	1	3/8"PT×3/8"PT
2	YE300038024.00	Solenoid valve 2LH050-10E		1	3/8"24 V AirTAC
1	YW04030800500	Copper connector	H58	1	3/8"PT×1/4"H L
No.	Material number	Name	Mat.	Num.	Remarks

					制图	版号	标题	STM-2440PW	图号	STM-2440PW-B-04	比例	数量
					设计	核准	排水接头组件					材质
					校对	核准					表面要求	
标记	更改前	更改后	更改人	日期	审核	日期					物料号	

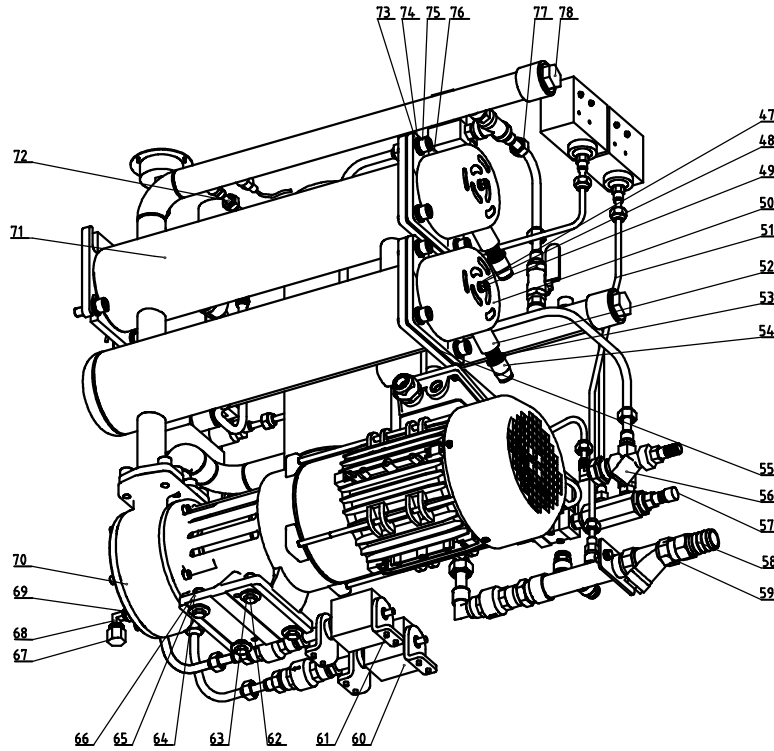


信易電熱機械股份有限公司  
Shini Plastics Technologies, Inc.



46	YW6303060000	Cross recessed pan head screw M3x6	Q235A	3	GB/T-823
45	YW8501500000	Pressure gauge		1	0-1.5MPa range
44	S-192	Low pressure switch controller	H62	1	1/4"PTx1/4"H
43	BE90342500050	Thermocoupler	SUS304	1	2.5M
42	STM-2440PW-B-16	Plate exchange hot air inlet pipe		1	assembly
41	YE32203000900	Solenoid valve		1	3/8" AirTAC 24VAC
40	S-50	Copper connector	H58	1	3/8"PTx1/4"PT
39	BH120104004.10	Tonflon pipe connector	H58	1	1/4"Hx1/4"PT
38	YW57030800000	Y-type water strainer 3/4"	Cu	1	
37	STM-2440PW-B-17	Exhaust air pipe		1	assembly
36	YE90002000000	Pressure switch controller HLP520E	PVC	1	5-20KG auto reply
35	YE90000800000	Low pressure switch controller	PVC	1	0-8KG/auto
34	YW63041200100	Cross recessed pan head screw M4x2	Q235A	4	GB/T-818
33	STM-2440PW-B-11	High pressure pipe		1	assembly
32	YW04030800500	Tonflon connector	H58	1	3/8"PTx1/4"H L
31	S-116	Tonflon pipe male thread connector	H62	3	3/8"PTx3/8"H
30	YW50382300500	Ball valve 3/8"	SUS304	1	the pipe with max pressure 2.3MPaKITZ
29	S-07	Copper connector	H58	3	3/8"PTx3/8"PT
28	STM-2440PW-B-13	Cooling water outlet pipe		1	assembly
27	STM-2440PW-B-08	Pressure release pipe		1	assembly
26	STM-2440PW-B-14	Cooling water inlet pipe		1	assembly
25	STM-2440PW-B-04	Exhaust pipe connector assembly		1	assembly
24	YW60061500100	Hex. bolt M6x16	12.9	2	GB/T5783
23	STM-2440PW-B-03	Water refilling connector assembly		1	assembly
22	STM-2440PW-B-15	Plate exchange hot air outlet pipe		1	assembly
21	STM-2440PW-B-09	Water refilling pipe		1	assembly
20	STM-2440PW-B-02	Return water pipe & expansion water tank		1	Welding parts
19	YW53001200100	Stainless steel elbow	SUS304	2	3/4"PT
18	S-122	Connector	H58	3	1/2"PTx1/2"PT
17	YW59010200300	Rotary check valve 1/2"	Cu	1	KITZ
16	YW04121200000	Copper pipe connector	H62	1	1/2PTx1/2HL type
15	YW52010200000	Stainless steel 3-way 1/2"	SUS304	1	
14	S-92	Copper connector	H58	1	3/8"PTx1/2"PT
13	STM-2440PW-B-12	Plunger pump refilling pipe		2	assembly
12	YW52030800000	3/8" stainless steel 3-way	SUS304	2	
11	YW04030800300	Tonflon connector	H58	3	3/8"PTx3/8"H L
10	STM-2440PW-B-19	Plate exchange parts		1	Welding parts
9	STM-607PW-B-20	Plate exchange fixed plate	SPCC2.0	1	
8	YW09003800500	Single water level probe	Q235A	1	3" without lead wire resistant pressure 1.5MPa
7	YE67001340000	Hose plug	PVC	1	WQEAD13.0B
6	YE66001300000	Flexible hose	PA66	1	WY-PA6AD13.0B 1.5M
5	YE67109000000	Quick hose connector	PVC	1	WQG1-P09B
4	BH90115000050	High temp. tester		1	EGO
3	YW62051000100	Large cross recessed flat head screw M5x10	Q235A	4	JIS1111
2	YW04010200200	Tonflon pipe connector	H58	1	1/2"PTx3/8"H L type
1	YW05141200000	Safety valve	SUS304	1	3/4" male thread
No.	Material number	Name	Mat.	Num.	Remarks

				制图	版号	标题	图号	比例	数量
				设计	核	STM-2440PW	STM-2440PW-B-ALL	1:1	
				校对	准	内部结构			材质
				审核	日期	信孚电塑机械股份有限公司 Shinfa Plastic Technologies, Inc.		表面要求	
标记	更改前	更改后	更改人	日期	日期			物料号	



78	YW50000100100	Plastic plug 1" PT male thread	PVC	2	white
77	STM-2440PW-B-07	Hot water bypass pipe		1	assembly
76	STM-1220PW-F-ALL	Pipe heater welding wiring diagram		2	Welding parts borrow
75	YW61103000100	Inner hex. column head screw M10-30	12.9	10	GB/T70.1
74	YW65010000000	Standard spring washer 10	65Mn	10	GB/T93
73	YW66102000100	Flat washer A grade 10	Q235A	10	GB/T97.1 (11x20x2)
72	STM-2440PW-B-06	Pressure gauge pipe		1	assembly
71	STM-2440PW-B-01	Heating tank		1	Welding parts
70	BM20028000950	Magnetic driven pump MP-280		1	2.8KW 100L/min 80M
69	STM-907HT-B-17	Oil discharge long screw	H58	1	borrow
68	YW04030800400	Copper pipe connector	H58	1	1/4"PT×3/8"H L
67	S-171	Tonflon pipe plug	H58	1	3/8"H plug
66	YW64080600000	Hex. nut M8	Q235A	4	GB/T6170
65	YW66081900000	Flat washer 8	Q235A	4	8x19x2.0
64	YW65080001000	Standard spring washer 8	65Mn	4	GB/T93
63	YW66082200100	Large washer C grade	Q235A	4	GB/T9681(8.4x24x2)
62	YW60083000200	Hex. bolt M8-30	4.8	4	GB/T5783
61	YW63051000000	Cross recessed pan head screw M5x10	Q235A	8	GB/T-818
60	STM-607PW-F-ALL	Plunger pump refilling assembly		2	assembly
59	YW57030400000	Y-type water strainer 3/4"	Cu	1	
58	S-124	Copper insert 3/4" PT ×φ25	H62	1	3/4"PT male thread φ19 hole
57	YR30010200000	Copper pipe plug	rubber	1	1/2"PT
56	STM-607PW-B-21	Cooling water inlet connector assembly		1	Welding parts
55	YR20121200000	Flexible graphite gasket	ISO-68	2	120×120×2.0
54	YE67015800100	Hose plug	PVC	2	WQEAD15.8B
53	YE66015800000	Flexible hose	PA66	2	WY-PA6AD15.8B 1.3M
52	YE67165800000	Quick hose connector	PVC	2	WQG1-M16B/AD15.8
51	STM-2440PW-B-05	Low pressure pipe		1	assembly
50	S-190	Pipe heater cover	SPCC1.0	2	
49	YW64000600300	Hex. nut M6	Q235A	4	GB/T6170
48	YW65006000100	Standard spring washer 6	65Mn	4	GB/T93
47	YW66061300000	Flat washer A grade 6	Q235A	6	
No.	Material number	Name	Mat.	Num.	Remarks

制图	版号	标题	图号	比例	数量
设计	核	STM-2440PW	STM-2440PW-B-ALL	1:1	
校对	准	内部结构		☐	材质
审核	日期	SHINI 信义塑料机械股份有限公司 Shini Plastics Technologies, Inc.		表面要求	
标记	更改前			更改后	更改人